

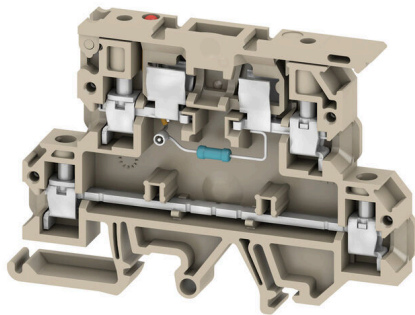
KDKS 1EN/LLC 10-36V AC/DC**Weidmüller Interface GmbH & Co. KG**

Klingenbergstraße 26

D-32758 Detmold

Germany

www.weidmueller.com

Product image

Fuse terminal blocks and component terminal blocks allow protective and functional elements to be integrated directly into the terminal strip. Fuse terminal blocks include built-in fuse holders to reliably protect electrical circuits against overload –ideal for control and distribution systems. Component terminal blocks make it possible to incorporate electronic components such as diodes, resistors, or LEDs directly into the wiring. This enables space-saving and clearly arranged implementation of switching functions and signal separation. Both types of terminal blocks ensure higher safety, easy maintenance, and a compact, function-oriented installation.

General ordering data

Version	Fuse terminal, Screw connection, dark beige, 4 mm ² , 6.3 A, 36 V, Number of connections: 4, Number of levels: 2, TS 32, TS 35
Order No.	9802720001
Type	KDKS 1EN/LLC 10-36V AC/DC
GTIN (EAN)	4050118175318
Qty.	50 items

KDKS 1EN/LLC 10-36V AC/DC

Weidmüller Interface GmbH & Co. KG

Klingenbergstraße 26

D-32758 Detmold

Germany

www.weidmueller.com

Technical data

Approvals

Approvals



ROHS Conform

UL File Number Search [UL Website](#)

Certificate No. (UR) E60693

Dimensions and weights

Depth	54 mm	Depth (inches)	2.126 inch
Height	76.5 mm	Height (inches)	3.0118 inch
Width	8 mm	Width (inches)	0.315 inch
Net weight	20.69 g		

Temperatures

Storage temperature	-25 °C...55 °C	Ambient temperature	-50 °C...75 °C
Continuous operating temp., min.	-50 °C	Continuous operating temp., max.	120 °C

Environmental Product Compliance

RoHS Compliance Status	Compliant without exemption
REACH SVHC	No SVHC above 0.1 wt%

Material data

Basic material	Wemid	Colour	dark beige
UL 94 flammability rating	V-0		

System specifications

End cover plate required	Yes	Number of potentials	2
Number of levels	2	Number of clamping points per level	2
Number of potentials per tier	1	Levels cross-connected internally	No
PE connection	No	Mounting rail	TS 32, TS 35
N-function	No	PE function	No
PEN function	No		

Additional technical data

Open sides right

CSA rating data

Wire cross section max. (CSA)	12 AWG	Voltage size C (CSA)	150 V
Current size C (CSA)	25 A	Certificate No. (CSA)	200039-70000261
Voltage size B (CSA)	300 V	Current size B (CSA)	25 A
Voltage size D (CSA)	300 V	Current size D (CSA)	10 A
Wire cross section min. (CSA)	26 AWG		

Conductors for clamping (additional connection)

Connection type, additional connection Screw connection

KDKS 1EN/LLC 10-36V AC/DC

Weidmüller Interface GmbH & Co. KG
 Klingenbergstraße 26
 D-32758 Detmold
 Germany

www.weidmueller.com

Technical data

Conductors for clamping (rated connection)

Gauge to IEC 60947-1	A3
Wire connection cross section AWG, max.	AWG 12
Connection direction	on side
Tightening torque, max.	0.8 Nm
Tightening torque, min.	0.5 Nm
Stripping length	9 mm
Type of connection 2	Screw connection
Type of connection	Screw connection
Number of connections	4
Clamping range, max.	4 mm ²
Clamping range, min.	0.22 mm ²
Clamping screw	M 3
Blade size	0.6 x 3.5 mm
Wire connection cross section AWG, min.	AWG 22
Wire connection cross-section, finely stranded with wire-end ferrules DIN 46228/4, min.	0.22 mm ²
Wire connection cross-section, finely stranded with wire-end ferrules DIN 46228/1, max.	4 mm ²
Wire connection cross-section, finely stranded with wire-end ferrules DIN 46228/1, min.	0.22 mm ²
Wire connection cross section, finely stranded, max.	4 mm ²
Wire connection cross section, finely stranded, min.	0.22 mm ²
Connection cross-section, stranded, max.	4 mm ²
Connection cross-section, stranded, min.	0.22 mm ²
Twin wire-end ferrules, max.	1.5 mm ²
Twin wire-end ferrules, min.	0.5 mm ²
Wire connection cross-section, solid core, max.	4 mm ²
Wire connection cross-section, solid core, min.	0.22 mm ²
Connection cross-section, finely stranded, max.	4 mm ²
Connection cross-section, finely stranded, min.	0.22 mm ²

Clampable conductor	Connection specification		Screw connection	
	Cross-section for conductor connection	Type	solid, H05(07) V-U	
		min.	0.5 mm ²	
		max.	4 mm ²	
		nominal	4 mm ²	
	wire end ferrule	Stripping length	min.	9 mm
			max.	9 mm
		Tightening torque	min.	0.5 Nm
			max.	0.8 Nm
	Connection specification		Screw connection	
	Cross-section for conductor connection	Type	stranded, H07V-R	
		min.	1.5 mm ²	
		max.	4 mm ²	
		nominal	4 mm ²	
wire end ferrule	Stripping length	min.	9 mm	
		max.	9 mm	

KDKS 1EN/LLC 10-36V AC/DC

Weidmüller Interface GmbH & Co. KG

 Klingenbergstraße 26
 D-32758 Detmold
 Germany

www.weidmueller.com

Technical data

		Tightening torque	min. 0.5 Nm max. 0.8 Nm
Connection specification	Screw connection		
Cross-section for conductor connection	Type	flexible, H05(07) V-K	
	min.	0.5 mm ²	
	max.	4 mm ²	
	nominal	4 mm ²	
wire end ferrule	Stripping length	min.	9 mm
		max.	9 mm
	Tightening torque	min.	0.5 Nm
		max.	0.8 Nm

Fuse terminals

Cartridge fuse	G-Si. 5 x 20	Fuse holder (cartridge holder)	Pivoting
Type of voltage for indicator	AC/DC	Display	Red LED
Power loss for short-circuit protection only for a composite arrangement	2.5 W at 6.3 A @ 41°C	Power loss for short-circuit protection only for an individual arrangement	4.0 W at 6.3 A @ 44°C
Power loss, 1-pole ; 2-pole ; 3-pole		Permitted power loss for fuse with semiconductor protection	
Leakage current, max.	0.3 mA	Power loss for overload and short-circuit protection for an individual arrangement	1.6 W at 6.3 A @ 29°C
Power loss for overload and short-circuit protection for a composite arrangement	1.6 W at 6.3 A @ 23°C		

General

Wire connection cross section AWG, max.	AWG 12	Wire connection cross section AWG, min.	AWG 22
Standards	IEC 60947-7-3	Mounting rail	TS 32, TS 35

Rating data

Rated cross-section	4 mm ²	Rated voltage	36 V
Rated voltage to adjoining terminal	500 V	Rated DC voltage	36 V
Nominal current	6.3 A	Current at maximum wires	6.3 A
Standards	IEC 60947-7-3	Volume resistance according to IEC 60947-7-x	1 mΩ
Power loss in accordance with IEC 60947-7-x	1.02 W	Surge voltage category	III
Pollution severity	3		

UL rating data

Voltage size B (UR)	250 V	Current size B (UR)	20 A
Conductor size Factory wiring max. (UR)	12 AWG	Current size C (UR)	20 A
Voltage size C (UR)	300 V	Conductor size Factory wiring min. (UR)	26 AWG
Certificate No. (UR)	E60693	Conductor size Field wiring min. (UR)	22 AWG
Conductor size Field wiring max. (UR)	12 AWG		

Important note

Product information	The voltage depends on the selected fuse element or the selected indicator light
---------------------	--

Classifications

ETIM 8.0	EC000899	ETIM 9.0	EC000899
ETIM 10.0	EC000899	ECLASS 14.0	27-25-01-13
ECLASS 15.0	27-25-01-13		

KDKS 1EN/LLC 10-36V AC/DC

Weidmüller Interface GmbH & Co. KG
Klingenbergstraße 26
D-32758 Detmold
Germany

Drawings

www.weidmueller.com

