

KLIPPON K6 RAL7001

Weidmüller Interface GmbH & Co. KG

Klingenbergstraße 26

D-32758 Detmold

Germany

www.weidmueller.com



The aluminium Klippon® K enclosures are suitable for use in an extremely wide range of different areas. Various components can be installed inside the enclosures, and will benefit in particular from the high temperature resistance, the excellent IP protection and the good impact resistance.

No matter what kind of application the customer is planning, Weidmüller is able to provide a wide range of aluminium enclosures precisely fitting the customer's requirements.

Klippon® K enclosures for hazardous areas are available on request.

Our extensive product range offers the following advantages:

- Available in two surface finishes: natural and powder-coated (RAL 7001)
 - With chloroprene moulded seal as standard (silicone moulded seal optionally available)
 - Standardised closure system with Torx slotted screw head for 19 enclosure sizes
 - Mounting holes outside of the gasket area
 - High IP protection classes: IP66, IP67 and IP68 according to DIN EN 60529
 - Impact resistance of up to 7 (10) Joules
 - The enclosures are approved according to ATEX, IECEx, cULus, and DNV GL as well as the empty enclosure standard.
- Suitable for railway applications according to EN 45545-2:2013
 - Alloy is resistant to salt water
 - Standardised distributor enclosures with threaded holes and a variety of terminal configurations

General ordering data

Version	Klippon K (aluminium empty enclosure), Empty enclosure, Aluminium enclosure, Height: 160 mm, Width: 200 mm, Depth: 100 mm, Basic material: Aluminium AlSi12, Powder-coated, textured, Silver grey
Order No.	9529240000
Type	KLIPPON K6 RAL7001
GTIN (EAN)	4008190918132
Qty.	1 items

KLIPPON K6 RAL7001

Weidmüller Interface GmbH & Co. KG
 Klingenbergstraße 26
 D-32758 Detmold
 Germany

www.weidmueller.com

Technical data

Approvals

Approvals



ROHS	Conform
UL File Number Search	UL Website
Certificate no. (cULus)	E197061

Dimensions and weights

Depth	100 mm	Depth (inches)	3.937 inch
Height	160 mm	Height (inches)	6.2992 inch
Width	200 mm	Width (inches)	7.874 inch
Mounting dimension - height	140 mm	Mounting dimension - width	180 mm
Net weight	1820 g		

Temperatures

Operating temperature	-40 °C...80 °C
-----------------------	----------------

Environmental Product Compliance

RoHS Compliance Status	Compliant without exemption
REACH SVHC	No SVHC above 0.1 wt%

Cable glands, left

M12	6	M16	6
M32	2	M25	2
M20	3	M40	1

Cable glands, right

M25	2	M16	6
M40	1	M32	2
M20	3	M12	6

Cable glands, top/bottom

M20	7	M12	17
M40	2	M32	3
M25	4	M16	12

Certificate numbers enclosure

Declaration of Conformity No. (DoC LVD)	DE PS24 10 1604 12 001ISS03	Certificate No. (DNV)	TAE00002SM
Approval conditions	cULus, RMRS, DNV	Certificate no. (cULus)	E197061

General information

Material thickness of cover	3 mm	Material thickness of enclosure	4.6 mm
Operating temperature, max.	80 °C	Operating temperature, min.	-40 °C

KLIPPON K6 RAL7001

Weidmüller Interface GmbH & Co. KG
 Klingenbergstraße 26
 D-32758 Detmold
 Germany

www.weidmueller.com

Technical data

Lid attachment	M5 torx stainless steel screws with slot	Standards	EN 45545-2:2013
Surface finish	Powder-coated, textured	Impact resistance	10 J version standard
Protection degree	IP66, IP67, IP68	Basic material	Aluminium AISi12
Seal material	Chloroprene	Torque for lid screws	2.5 Nm
Integral fixing	Threaded holes M5	Enclosure attachment	Holes 6 mm
Note: protection class	IP68 (t=72h, h=1m)	Protection class (UL)	Type 4, Type 4X
Number of lid screws	4	Access opening: width	190.8 mm
Flange plate	No	Max. payload	3.2 kg
Lid	Yes	Access opening: height	150.8 mm
Areas of use	Process industry, Transportation, Marine engineering, Packaging industry, Harbour facilities, Machine construction		

horizontal assembly

WDU 10 / ZDU 10	1x12	WDU 16 / ZDU 16	1x10
WDU 2,5 / ZDU 2,5 / IDU 2,5	1x25	WDU 4 / ZDU 4	1x21
WDU 6 / ZDU 6	1x16		

vertical assembly

WDU 2,5 / ZDU 2,5 / IDU 2,5	*	WDU 4 / ZDU 4	*
-----------------------------	---	---------------	---

Classifications

ETIM 8.0	EC000261	ETIM 9.0	EC000261
ETIM 10.0	EC000261	ECLASS 14.0	27-18-01-01
ECLASS 15.0	27-18-01-01		

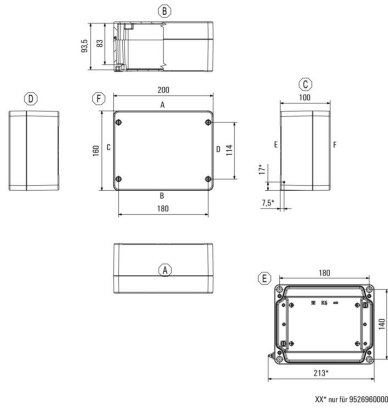
KLIPPON K6 RAL7001

Weidmüller Interface GmbH & Co. KG
Klingenbergstraße 26
D-32758 Detmold
Germany

Drawings

www.weidmueller.com

Dimensioned drawing



KLIPPON K6 RAL7001

Weidmüller Interface GmbH & Co. KG
 Klingenbergstraße 26
 D-32758 Detmold
 Germany

www.weidmueller.com

Accessories

Klippon® K - Hinge



The system accessories for the Klippon® K enclosure series allows you to easily adapt the enclosures to meet the specific requirements of every application.

- DIN Rails TS 35 and TS 15
- Mounting plates
- Hinges
- Wall-mounted holder

Weidmüller can manufacture and supply this enclosure - according to customer specifications - fitted with all necessary terminals and cable glands.

General ordering data

Type	HG K+POK	Version	
Order No.	1580360000	Klippon POK (polyester empty enclosure), External joint, Hinge, Basic	
GTIN (EAN)	4008190203542	material: Aluminium AISi12, silver	
Qty.	1 ST		

Klippon® K - Mounting plates



The system accessories for the Klippon® K enclosure series allows you to easily adapt the enclosures to meet the specific requirements of every application.

- DIN Rails TS 35 and TS 15
- Mounting plates
- Hinges
- Wall-mounted holder

Weidmüller can manufacture and supply this enclosure - according to customer specifications - fitted with all necessary terminals and cable glands.

General ordering data

Type	MOPL K6 STAHL	Version	
Order No.	3073110000	Klippon K (aluminium empty enclosure), Mounting plate, Mounting	
GTIN (EAN)	4008190858049	plate, Height: 145 mm, Width: 183 mm, Depth: 2 mm, Basic material:	
Qty.	1 ST	Sheet steel, galvanized, galvanized, silver	

Spacer



Stainless steel spacers in three lengths to increase the distance between the mounting rails or DIN rails and the rear wall of the enclosure.

General ordering data

Type	SP M6 15 MSZN	Version	
Order No.	3896100000	Klippon EB (Essential Box), Spacer, Height: 11.2 mm, Width: 10 mm,	
GTIN (EAN)	4008190857851	Depth: 15 mm, Basic material: Steel, silver	
Qty.	2 ST		

KLIPPON K6 RAL7001

Weidmüller Interface GmbH & Co. KG
 Klingenbergstraße 26
 D-32758 Detmold
 Germany

www.weidmueller.com

Accessories

Type	SP M6 20 MSZN	Version
Order No.	3896200000	Klippon EB (Essential Box), Spacer, Height: 11.2 mm, Width: 10 mm,
GTIN (EAN)	4008190850234	Depth: 20 mm, Basic material: Steel, silver
Qty.	2 ST	
Type	SP M6 30 MSZN	Version
Order No.	3896300000	Klippon EB (Essential Box), Spacer, Height: 11.2 mm, Width: 10 mm,
GTIN (EAN)	4008190850241	Depth: 30 mm, Basic material: Steel, silver
Qty.	2 ST	

Depth 7.5 mm



The system accessories for the Klippon® K enclosure series allows you to easily adapt the enclosures to meet the specific requirements of every application.

- DIN Rails TS 35 and TS 15
- Mounting plates
- Hinges
- Wall-mounted holder

Weidmüller can manufacture and supply this enclosure - according to customer specifications - fitted with all necessary terminals and cable glands.

General ordering data

Type	TS35/172 KLIPPON K6 CSS	Version
Order No.	1910110000	Rail, TS 35, TS 35 x 7.5, Width: 172 mm, without slot, Steel,
GTIN (EAN)	4032248537020	galvanized, chromium-plated
Qty.	1 ST	

Klippon® K - Wall-mounted holder



The system accessories for the Klippon® K enclosure series allows you to easily adapt the enclosures to meet the specific requirements of every application.

- DIN Rails TS 35 and TS 15
- Mounting plates
- Hinges
- Wall-mounted holder

Weidmüller can manufacture and supply this enclosure - according to customer specifications - fitted with all necessary terminals and cable glands.

General ordering data

Type	KLIPPON K MF KIT 16	Version
Order No.	9529080000	Klippon K (aluminium empty enclosure), Mounting foot, Fixing lugs,
GTIN (EAN)	4008190916299	Height: 70 mm, Width: 33.5 mm, Depth: 12 mm, Basic material:
Qty.	1 ST	Stainless steel 1.4301, silver

KLIPPON K6 RAL7001

Weidmüller Interface GmbH & Co. KG
 Klingenbergstraße 26
 D-32758 Detmold
 Germany

www.weidmueller.com

Accessories

Mounting support



We offer a broad portfolio of mounting support for easy handling and supplementation of our products. From various tools to insulating sleeves and various screws, our components are matched to each other down to the last detail and thus facilitate assembly in compliance with the respective standards and protective regulations.

General ordering data

Type	FKSC M5X8 D9/SW2.5	Version	
Order No.	0295900000	SAK Series, Allen hex screw, Screws, Number of poles: 1	
GTIN (EAN)	4008190133337		
Qty.	50 ST		

Depth 7.5 mm



The system accessories for the Klippon® K enclosure series allows you to easily adapt the enclosures to meet the specific requirements of every application.

- DIN Rails TS 35 and TS 15
- Mounting plates
- Hinges
- Wall-mounted holder

Weidmüller can manufacture and supply this enclosure - according to customer specifications - fitted with all necessary terminals and cable glands.

General ordering data

Type	TS35X7.5 ST K6	Version	
Order No.	800003903	Rail, TS 35, TS 35 x 7.5, Width: 172 mm, without slot, Steel,	
GTIN (EAN)	4050118652666	galvanized, chromium-plated	
Qty.	20 ST		

Depth 15 mm



The system accessories for the Klippon® K enclosure series allows you to easily adapt the enclosures to meet the specific requirements of every application.

- DIN Rails TS 35 and TS 15
- Mounting plates
- Hinges
- Wall-mounted holder

Weidmüller can manufacture and supply this enclosure - according to customer specifications - fitted with all necessary terminals and cable glands.

General ordering data

Type	TS35X15 ST K6	Version	
Order No.	8000073096	Rail, TS 35, TS 35 x 15, Width: 172 mm, with slot, Steel, galvanic zinc	
GTIN (EAN)	4064675337072	plated and passivated	
Qty.	20 ST		