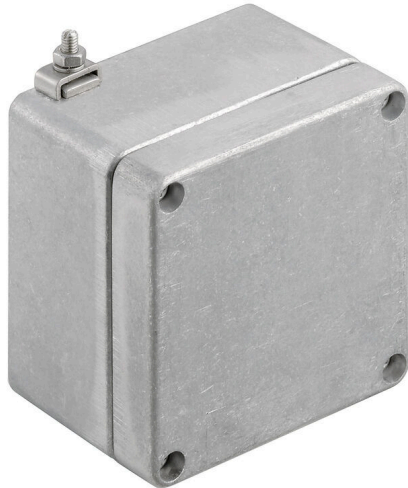


KLIPPON K11 EX

Weidmüller Interface GmbH & Co. KG

Klingenbergstraße 26
D-32758 Detmold
Germany

www.weidmueller.com



The aluminium Klippon® K enclosures are suitable for use in an extremely wide range of different areas. Various components can be installed inside the enclosures, and will benefit in particular from the high temperature resistance, the excellent IP protection and the good impact resistance.

No matter what kind of application the customer is planning, Weidmüller is able to provide a wide range of aluminium enclosures precisely fitting the customer's requirements.

Klippon® K enclosures for hazardous areas are available on request.

Our extensive product range offers the following advantages:

- Available in two surface finishes: natural and powder-coated (RAL 7001)
 - With chloroprene moulded seal as standard (silicone moulded seal optionally available)
 - Standardised closure system with Torx slotted screw head for 19 enclosure sizes
 - Mounting holes outside of the gasket area
 - High IP protection classes: IP66, IP67 and IP68 according to DIN EN 60529
 - Impact resistance of up to 7 (10) Joules
 - The enclosures are approved according to ATEX, IECEx, cULus, and DNV GL as well as the empty enclosure standard.
- Suitable for railway applications according to EN 45545-2:2013
 - Alloy is resistant to salt water
 - Standardised distributor enclosures with threaded holes and a variety of terminal configurations

General ordering data

Version	Klippon K (aluminium empty enclosure), Empty enclosure, Aluminium enclosure, Height: 80 mm, Width: 75 mm, Depth: 57 mm, Basic material: Aluminium AlSi12, untreated, silver
Order No.	9526850000
Type	KLIPPON K11 EX
GTIN (EAN)	4032248019144
Qty.	1 items

KLIPPON K11 EX

Weidmüller Interface GmbH & Co. KG
Klingenbergstraße 26
D-32758 Detmold
Germany

www.weidmueller.com

Technical data

Approvals

Approvals



ROHS Conform

Dimensions and weights

Depth	57 mm	Depth (inches)	2.2441 inch
Height	80 mm	Height (inches)	3.1496 inch
Width	75 mm	Width (inches)	2.9527 inch
Mounting dimension - height	52 mm	Mounting dimension - width	63 mm
Net weight	328 g		

Temperatures

Operating temperature -60 °C...135 °C

Environmental Product Compliance

RoHS Compliance Status Compliant without exemption
REACH SVHC No SVHC above 0.1 wt%

Cable glands, left

M12	2	M16	2
M20	1		

Cable glands, right

M16	2	M20	1
M12	2		

Cable glands, top/bottom

M20	1	M12	2
M25	1	M16	2

Certificate numbers enclosure

Declaration of Conformity No. (DoC LVD)	DE PS24 10 160412 001ISS03	Attestation of Conformity No. (AoC)	DE PS24 10 160308 001ISS03
Certificate no. empty enclosure (INMETRO)	LMP 23.0526U	Certificate No. (DNV)	TAE00002SM
Certificate no. Terminal Box (ATEX)	IBExU12ATEX1145 X	Certificate no. empty enclosure (ATEX)	IBExU12ATEX1144 U
Certificate no. Terminal Box (INMETRO)	LMP 23.0527X	Certificate no. Terminal Box (IECEX)	IECEX IBE 13.0002X
Certificate no. empty enclosure (IECEX)	IECEX IBE 13.0001U	Certificate No. (IECEX)	IECEXIBE13.0002X
Certificate No. (ATEX)	IBEXU12ATEX1145X	Approval conditions	DNV, GL, RMRS, ATEX, IECEX, UL AEx Class Div., CCC, INMETRO

General information

Material thickness of cover	2.5 mm	Material thickness of enclosure	4 mm
Operating temperature, max.	135 °C	Operating temperature, min.	-60 °C

KLIPPON K11 EX

Weidmüller Interface GmbH & Co. KG
 Klingenbergstraße 26
 D-32758 Detmold
 Germany

www.weidmueller.com

Technical data

Lid attachment	M4 torx stainless steel screws with slot	Standards	IEC 60079-0, IEC 60079-7, IEC 60079-31, EN 45545-2:2013
Surface finish	untreated	Impact resistance	7 J ATEX version
Protection degree	IP66, IP67	Basic material	Aluminium AISi12
Seal material	Silicone	Torque for lid screws	2.5 Nm
Integral fixing	Threaded holes M4	Enclosure attachment	Holes 4 mm
Number of lid screws	4	Access opening: width	67 mm
Flange plate	No	Lid	Yes
Access opening: height	72 mm	Areas of use	Explosive risk zone, Process industry, Transportation, Packaging industry, Marine engineering, Machine construction, Harbour facilities

horizontal assembly

Number of DIN rails and terminals (2.5 mm ² , horizontal)	1x5	Number of DIN rails and terminals (4 mm ² , horizontal)	1x4
--	-----	--	-----

vertical assembly

Number of DIN rails and terminals (2.5 mm ² , vertical)	1x1*	Number of DIN rails and terminals (4 mm ² , vertical)	1x1*
--	------	--	------

Classifications

ETIM 8.0	EC002503	ETIM 9.0	EC002503
ETIM 10.0	EC002503	ECLASS 14.0	27-18-05-02
ECLASS 15.0	27-18-05-02		

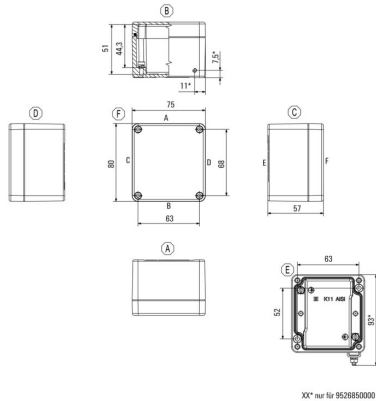
KLIPPON K11 EX

Weidmüller Interface GmbH & Co. KG
Klingenbergstraße 26
D-32758 Detmold
Germany

Drawings

www.weidmueller.com

Dimensioned drawing



KLIPPON K11 EX

Weidmüller Interface GmbH & Co. KG

Klingenbergstraße 26
D-32758 Detmold
Germany

www.weidmueller.com

Accessories

TS 15



The system accessories for the Klippon® K enclosure series allows you to easily adapt the enclosures to meet the specific requirements of every application.

- DIN Rails TS 35 and TS 15
- Mounting plates
- Hinges
- Wall-mounted holder

Weidmüller can manufacture and supply this enclosure - according to customer specifications - fitted with all necessary terminals and cable glands.

General ordering data

Type	TS15 64 KLIPPON K11	Version	
Order No.	1909990000	Rail, TS 15, Width: 64 mm, without slot, Steel, galvanized, chromium-plated	
GTIN (EAN)	4032248536917		
Qty.	1 ST		

Klippon® K - Mounting plates



The system accessories for the Klippon® K enclosure series allows you to easily adapt the enclosures to meet the specific requirements of every application.

- DIN Rails TS 35 and TS 15
- Mounting plates
- Hinges
- Wall-mounted holder

Weidmüller can manufacture and supply this enclosure - according to customer specifications - fitted with all necessary terminals and cable glands.

General ordering data

Type	MOPL K11 STAHL	Version	
Order No.	3073000000	Klippon K (aluminium empty enclosure), Mounting plate, Mounting plate, Height: 67 mm, Width: 64 mm, Depth: 2 mm, Basic material: Sheet steel, galvanized, galvanized, silver	
GTIN (EAN)	4008190857936		
Qty.	1 ST		

Klippon® K - Hinge



The system accessories for the Klippon® K enclosure series allows you to easily adapt the enclosures to meet the specific requirements of every application.

- DIN Rails TS 35 and TS 15
- Mounting plates
- Hinges
- Wall-mounted holder

Weidmüller can manufacture and supply this enclosure - according to customer specifications - fitted with all necessary terminals and cable glands.

General ordering data

Type	HG K+POK	Version	
Order No.	1580360000	Klippon POK (polyester empty enclosure), External joint, Hinge, Basic material: Aluminium AISi12, silver	
GTIN (EAN)	4008190203542		
Qty.	1 ST		

KLIPPON K11 EX

Weidmüller Interface GmbH & Co. KG

Klingenbergstraße 26
D-32758 Detmold
Germany

www.weidmueller.com

Accessories

Installation material



Integrate, expand and customise - the perfect supplement to every application

The fully structured range of system accessories for the new Klippon® TB enclosure series allows you to easily adapt the enclosures to meet the specific requirements of every application.

Mounting hardware kits

Mounting hardware kits are available for quick and easy installation of type label holders, document holders and rain hoods.

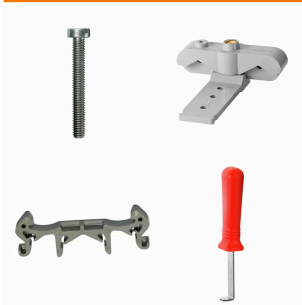
The label fastening set – SD is required to install a plastic (Trafolyte) ID or type label. With the aid of this set can you mount the ID or type label directly on the enclosure cover. The label fastening set has been specially developed for this purpose. Only by using this fastening set can you ensure that there will be no leaks into the enclosure or damage to the label.

The universal fastening set – TPSD has been developed to enable secure and quick installation of type label holders, rain covers or document holders, for example. By using this fastening set, the risk of leaks can be minimised, if not avoided.

General ordering data

Type	TPSD FIXING SET KTB	Version
Order No.	1252190000	Klippon TB (Terminal Box), Type plate fixings set, Basic material:
GTIN (EAN)	4050118043969	Stainless steel, rust-proof, untreated, silver
Qty.	1 ST	
Type	SD FIXING SET	Version
Order No.	1285200000	Klippon TB (Terminal Box), Identification plate fixing set, Height: 12
GTIN (EAN)	4050118075472	mm, Width: 12 mm, Depth: 16.4 mm, Basic material: Stainless steel,
Qty.	1 ST	rust-proof, untreated, silver

Mounting support



We offer a broad portfolio of mounting support for easy handling and supplementation of our products. From various tools to insulating sleeves and various screws, our components are matched to each other down to the last detail and thus facilitate assembly in compliance with the respective standards and protective regulations.

General ordering data

Type	FKSC M4X6 D8/SW2	Version
Order No.	1567480000	SAK Series, Allen hex screw, Screws, Number of poles: 1
GTIN (EAN)	4008190033491	
Qty.	100 ST	

KLIPPON K11 EX

Weidmüller Interface GmbH & Co. KG

Klingenbergstraße 26
D-32758 Detmold
Germany

www.weidmueller.com

Accessories

TS 15



The system accessories for the Klippon® K enclosure series allows you to easily adapt the enclosures to meet the specific requirements of every application.

- DIN Rails TS 35 and TS 15
- Mounting plates
- Hinges
- Wall-mounted holder

Weidmüller can manufacture and supply this enclosure - according to customer specifications - fitted with all necessary terminals and cable glands.

General ordering data

Type	TS15X5 ST K 11	Version	
Order No.	8000003888	Rail, TS 15, Width: 64 mm, without slot, Steel, galvanized, chromium-plated	
GTIN (EAN)	4050118652390		
Qty.	20 ST		

Depth 7.5 mm



The system accessories for the Klippon® K enclosure series allows you to easily adapt the enclosures to meet the specific requirements of every application.

- DIN Rails TS 35 and TS 15
- Mounting plates
- Hinges
- Wall-mounted holder

Weidmüller can manufacture and supply this enclosure - according to customer specifications - fitted with all necessary terminals and cable glands.

General ordering data

Type	TS35X7.5 ST K 11	Version	
Order No.	8000003899	Rail, TS 35, TS 35 x 7.5, Width: 64 mm, without slot, Steel, galvanic zinc plated and passivated	
GTIN (EAN)	4050118652383		
Qty.	20 ST		

Depth 15 mm



The system accessories for the Klippon® K enclosure series allows you to easily adapt the enclosures to meet the specific requirements of every application.

- DIN Rails TS 35 and TS 15
- Mounting plates
- Hinges
- Wall-mounted holder

Weidmüller can manufacture and supply this enclosure - according to customer specifications - fitted with all necessary terminals and cable glands.

General ordering data

Type	TS35X15 ST K 11	Version	
Order No.	8000073084	Rail, TS 35, TS 35 x 15, Width: 64 mm, with slot, Steel, galvanic zinc plated and passivated	
GTIN (EAN)	4064675336945		
Qty.	20 ST		