

**SAI-8-F 5P 5M 0.5/1.0U**

**Weidmüller Interface GmbH & Co. KG**  
Klingenbergstraße 26  
D-32758 Detmold  
Germany

[www.weidmueller.com](http://www.weidmueller.com)



M12 distributors are available in various versions. The 4, 6 or 8 M12 slots are in 4 or 5 pole design. The group outlet is designed as a fixed cable version, hood version for connection by the user, or with M23. Special versions are also available. For instance, there are 1-to-1 distributors for use with any connection types, or distributors approved for Ex Zone 1.

**General ordering data**

Version	Fixed cable version, M12, 30 V, A-coded, LED: Yes, LED initiator: Yes, Wiring type: PNP, 5 m
Order No.	<a href="#">9457590000</a>
Type	SAI-8-F 5P 5M 0.5/1.0U
GTIN (EAN)	4032248168101
Qty.	1 items

## SAI-8-F 5P 5M 0.5/1.0U

**Weidmüller Interface GmbH & Co. KG**  
 Klingenbergstraße 26  
 D-32758 Detmold  
 Germany

www.weidmueller.com

## Technical data

### Approvals

Approvals



ROHS	Conform
UL File Number Search	<a href="#">UL Website</a>
Certificate No. (cURus)	E141197

### Dimensions and weights

Depth	152 mm	Depth (inches)	5.9842 inch
Height	25 mm	Height (inches)	0.9842 inch
Net weight	991 g		

### Temperatures

Operating temperature	-20 - 80°C
-----------------------	------------

### Environmental Product Compliance

RoHS Compliance Status	Compliant without exemption
REACH SVHC	No SVHC above 0.1 wt%

### Connection data

Sheathing stripping length	100 mm	Distributor outlet	Fixed cable version
----------------------------	--------	--------------------	---------------------

### Electrical data

Rated voltage, min.	10 V	Rated voltage, max.	30 V
Test voltage	1 kV	Max. current-carrying capacity per slot	4 A
Total current	9 A	Current per signal	2 A
Electrical isolation available	No	Insulation resistance	109 Ω

### General technical data

Protection degree	IP68	Plug-in station coding	A-coded
Number of poles	5	Number of contact sockets	8
Connection thread	M12	Pollution severity	3
Fire behaviour	V-0	Plugging cycles	≤ 50
LED	Yes	LED initiator	Yes
LED colour for indicating operation	green	LED colour for I/O function	yellow

### Material data

Housing main material	Pocan	Material of distributor	Plastic
Housing colour	grey, RAL 7032	Hood sealing material	Viton
Screw socket	Nickel-plated CuZn	Contact material	CuZn
Contact surface	Gold-plated	Contact carrier material	PBT (UL 94 V0)

### Technical data cable

Number of poles	5	Sheathing colour	Deep black
O.D.	12.3 mm	Bending radius, min., moving	10 x cable diameter

## SAI-8-F 5P 5M 0.5/1.0U

**Weidmüller Interface GmbH & Co. KG**  
 Klingenbergstraße 26  
 D-32758 Detmold  
 Germany

[www.weidmueller.com](http://www.weidmueller.com)

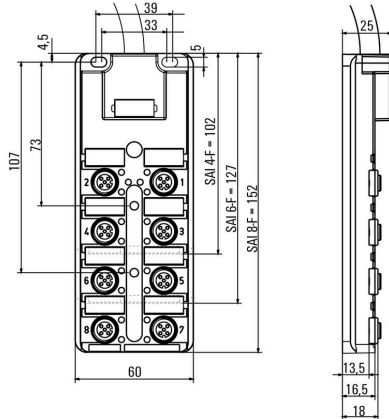
## Technical data

Bending radius, min., stationary	5 x cable diameter	Wire cross section (Print/Online)	16 x 0.5 mm <sup>2</sup> + 3 x 1.0 mm <sup>2</sup>
Colour coding	blue, brown, Green/yellow, yellow, grey, green, white, pink, red, black, violet, grey / pink, red / blue, white / green, brown / green, white / yellow, Yellow / brown, grey / brown	Cable length	5 m
Suitable for cable carriers	Yes	Armoured line	16 x 0,5 mm <sup>2</sup> + 3 x 1 mm <sup>2</sup>

### Classifications

ETIM 8.0	EC002585	ETIM 9.0	EC002585
ETIM 10.0	EC002585	ECLASS 14.0	27-44-01-08
ECLASS 15.0	27-44-01-08		

Dimensioned drawing



Wiring diagram

