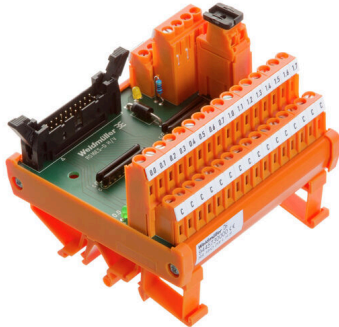


RS 16IO 2W L H S

Weidmüller Interface GmbH & Co. KG
Klingenbergstraße 26
D-32758 Detmold
Germany

www.weidmueller.com



Similar to illustration

The digital direct input/output interfaces are supplied with flat cable connectors to facilitate connection. They are available in tension clamp or clamping yoke connection, with elements such as fuses, disconnectors or LEDs.

General ordering data

Version	Interface, RS, LED, 2-wire, Screw connection
Order No.	9445730000
Type	RS 16IO 2W L H S
GTIN (EAN)	4032248252947
Qty.	1 items

RS 16IO 2W L H S

Weidmüller Interface GmbH & Co. KG
Klingenbergstraße 26
D-32758 Detmold
Germany

www.weidmueller.com

Technical data

Approvals

Approvals



ROHS	Conform
UL File Number Search	UL Website
Certificate No. (UR)	E141197

Dimensions and weights

Depth	72 mm	Depth (inches)	2.8346 inch
Height	87 mm	Height (inches)	3.4252 inch
Width	87 mm	Width (inches)	3.4252 inch
Net weight	211 g		

Temperatures

Storage temperature	-40...60 °C	Operating temperature	-25...50 °C
---------------------	-------------	-----------------------	-------------

Environmental Product Compliance

RoHS Compliance Status	Compliant with exemption
RoHS Exemption (if applicable/known)	7a, 7cI
REACH SVHC	Lead 7439-92-1
SCIP	7b5ffb72-271d-4c73-8b09-bd0aaee3697a

Rated data UL

Rated current IN	1 A	Operating temperature UL, min.	0 °C
Operating temperature UL, max.	25 °C	Rated voltage UN	24 V DC
Rated voltage DC UN (supply)	24 V	Rated current (supply)	2 A
Rated current fuse (supply)	3.15 A		

General data

LED status display per channel	green	Disconnection per channel	No
Type of test point	No	Fuse per channel	No
LED status of the supply voltage	yellow	Power supply fuse	3.15 A
Common pole polarity	Positive or negative can be selected using jumper		

Connection data

Number of poles (control side)	20-pole plug	Wiring system	2-wire
Connection (field side)	LP2N 5.08mm	Connection on control side	Plug-in connector in acc. with IEC60603-13 / DIN41651

Ratings data

Operating voltage	24 V DC \pm 10%	Max. current per channel	1 A
Total operating current	2 A		

RS 16IO 2W L H S

Weidmüller Interface GmbH & Co. KG
 Klingenbergstraße 26
 D-32758 Detmold
 Germany

www.weidmueller.com

Technical data

Insulation coordination (EN50178)

According to	DIN EN 50178	Rated insulation voltage	<50 V AC
Surge voltage category	III	Pollution severity level	2
Pulse voltage test (1,2/50µs)	0.8 kV	Insulation test voltage AC	0.35 kV

Connection field

Min. wire cross-section, AWG	AWG 26	Type of connection	Screw connection
Sleeve with plastic collar, max.	2.5 mm ²	Flexible with sleeve, min.	0.5 mm ²
Flexible with sleeve, max.	2.5 mm ²	Flexible, max. H05(07) V-K	4 mm ²
Flexible, min. H05(07) V-K	0.5 mm ²	Solid, max. H05(07) V-U	6 mm ²
Solid, min. H05(07) V-U	0.5 mm ²	Stripping length	6 mm
Tightening torque, max.	0.6 Nm	Tightening torque, min.	0.5 Nm
Clamping range, max.	6 mm ²	Clamping range, min.	0.13 mm ²
Max. wire cross-section, AWG	AWG 12		

Supply connection

Type of connection	Screw connection	Clamping range, min.	0.13 mm ²
Clamping range, max.	6 mm ²	Solid, min. H05(07) V-U	0.5 mm ²
Solid, max. H05(07) V-U	6 mm ²	Flexible, min. H05(07) V-K	0.5 mm ²
Flexible, max. H05(07) V-K	4 mm ²	Flexible with sleeve, max.	2.5 mm ²
Flexible with sleeve, min.	0.5 mm ²	Ferrule with plastic collar, max.	2.5 mm ²
Wire cross-section, min. AWG	AWG 26	Wire cross-section, max. AWG	AWG 12
Tightening torque, min.	0.5 Nm	Tightening torque, max.	0.6 Nm
Stripping length	6 mm		

Classifications

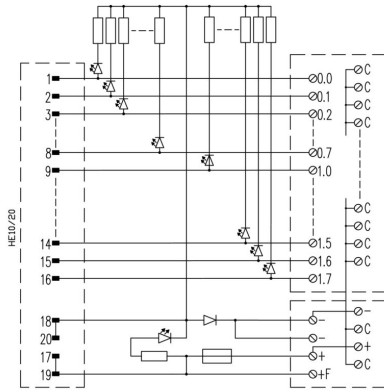
ETIM 8.0	EC002780	ETIM 9.0	EC002780
ETIM 10.0	EC002780	ECLASS 14.0	27-14-11-52
ECLASS 15.0	27-14-11-52		

RS 16IO 2W L H S

Weidmüller Interface GmbH & Co. KG
Klingenbergstraße 26
D-32758 Detmold
Germany

Drawings

www.weidmueller.com



The wiring diagram corresponds to the version with LEDs.