

AIE MULTI-SPX 0.75-4²SL

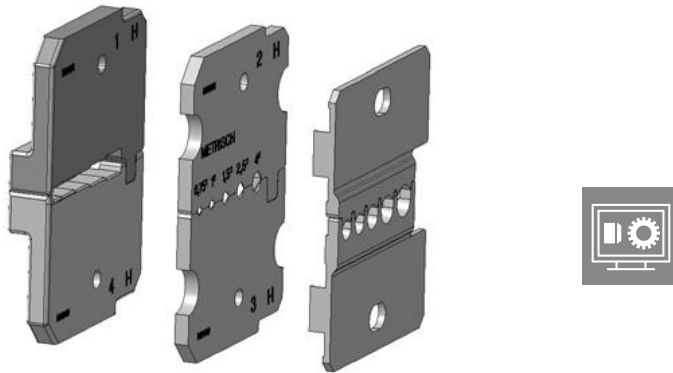
Weidmüller Interface GmbH & Co. KG

Klingenbergstraße 26

D-32758 Detmold

Germany

www.weidmueller.com



- For flexible and solid conductors with special insulating materials
- High-quality stripping for industrial applications (complies with aircraft industry requirements)
- Specially shaped blades enable stripping of special types of insulation and conductor configurations
- Stripping length adjustable via end stop
- Very versatile thanks to interchangeable stripping units
- Stripping results reproduced accurately over and over again
- No damage to the conductor
- A long-lasting, reliable tool thanks to its sturdy design
- Integrated cutting function

General ordering data

Version	Insert
Order No.	9203730000
Type	AIE MULTI-SPX 0.75-4 ² SL
GTIN (EAN)	4032248576449
Qty.	1 items

AIE MULTI-SPX 0.75-4²SL

Weidmüller Interface GmbH & Co. KG
 Klingenbergstraße 26
 D-32758 Detmold
 Germany

www.weidmueller.com

Technical data

Dimensions and weights

Depth	30 mm	Depth (inches)	1.1811 inch
Height	3 mm	Height (inches)	0.1181 inch
Width	41 mm	Width (inches)	1.6142 inch
Length	41 mm	Length (inches)	1.6142 inch
Net weight	81 g		

Environmental Product Compliance

RoHS Compliance Status	Not affected
REACH SVHC	Lead 7439-92-1
SCIP	cf06c250-ed1e-4a45-9c1b-c5c8cbf13bf0

Technical data

Description of article	Stripping unit for cables with zero-halogen insulation, 0.75 - 4.0 mm ²
------------------------	--

Stripping tools

Workable cable	halogen-free, Silicone, Teflon
----------------	--------------------------------

Classifications

ETIM 8.0	EC001509	ETIM 9.0	EC001509
ETIM 10.0	EC001509	ECLASS 14.0	21-04-48-91
ECLASS 15.0	21-04-48-91		