

STRIPAX PLUS 2.5**Weidmüller Interface GmbH & Co. KG**

Klingenbergstraße 26

D-32758 Detmold

Germany

www.weidmueller.com



Cutting, stripping and crimping tools for connected wire-end ferrules strips

- Cutting
- Stripping
- Crimping
- Automatic feeding of wire end ferrules
- Ratchet guarantees precise crimping
- Release option in the event of incorrect operation
- Efficient: only one tool needed for cable work, and thus significant time saved
- Only strips of linked wire end ferrules, each containing 50 pieces, from Weidmüller may be processed. The use of wire end ferrules on reels may lead to destruction.

General ordering data

Version	Cutting, stripping and crimping tool, Crimping tool for wire-end ferrules, 0.5mm ² , 2.5mm ² , Trapezoidal crimp
Order No.	9020000000
Type	STRIPAX PLUS 2.5
GTIN (EAN)	4008 190067267
Qty.	1 items

STRIPAX PLUS 2.5

Weidmüller Interface GmbH & Co. KG
 Klingenbergstraße 26
 D-32758 Detmold
 Germany

www.weidmueller.com

Technical data

Dimensions and weights

Width	210 mm	Width (inches)	8.2677 inch
Net weight	248.63 g		

Environmental Product Compliance

RoHS Compliance Status	Not affected
REACH SVHC	Lead 7439-92-1
SCIP	2159813b-98fd-4068-b62a-bc89a046c012

Technical data

Description of article	(1)Crimping tool	Version	Mechanical, without interchangeable inserts
------------------------	------------------	---------	---

Description of contact

Type of contact	Strips of linked wire-end ferrules	Conductor cross-section, max. AWG	AWG 14
Conductor cross-section, min. AWG	AWG 20	Crimping range, max.	2.5 mm ²
Crimping range, min.	0.5 mm ²		

tool data crimping

Wire end ferrules cross-section, max.	2.5 mm ²	Wire end ferrules cross-section, min.	0.5 mm ²
Crimping type/profile	Trapezoidal crimp		

Classifications

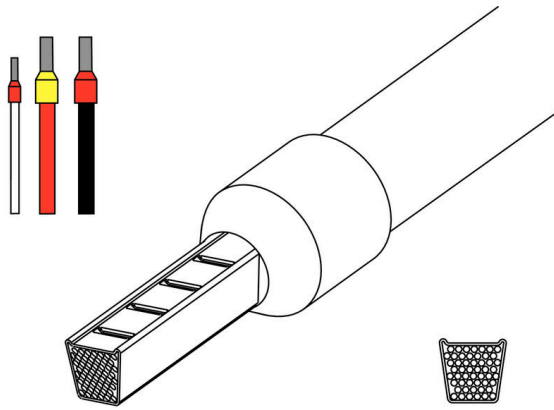
ETIM 8.0	EC002109	ETIM 9.0	EC002109
ETIM 10.0	EC002109	ECLASS 14.0	21-04-37-06
ECLASS 15.0	21-04-37-06		

STRIPAX PLUS 2.5

Weidmüller Interface GmbH & Co. KG
Klingenbergstraße 26
D-32758 Detmold
Germany

www.weidmueller.com

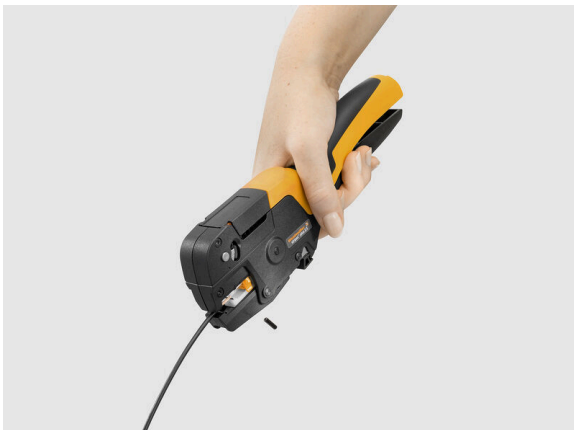
Drawings



Example of use



Example of use



Example of use



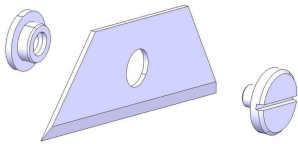
STRIPAX PLUS 2.5

Weidmüller Interface GmbH & Co. KG
 Klingenbergstraße 26
 D-32758 Detmold
 Germany

www.weidmueller.com

Accessories

Accessories / replacement parts



Cutting, stripping and crimping tools for connected wire-end ferrules strips

- Cutting
- Stripping
- Crimping
- Automatic feeding of wire end ferrules
- Ratchet guarantees precise crimping
- Release option in the event of incorrect operation
- Efficient: only one tool needed for cable work, and thus significant time saved
- Only strips of linked wire end ferrules, each containing 50 pieces, from Weidmüller may be processed. The use of wire end ferrules on reels may lead to destructon.

General ordering data

Type	ERSATZMESSER STRIPAX PL	Version
Order No.	9050340000	Spare cutting blade
GTIN (EAN)	4008190350949	
Qty.	5 ST	
Type	ERTE AIME SPX P II	Version
Order No.	2917160000	Cutting blade
GTIN (EAN)	4099986548121	
Qty.	1 ST	

Strip of wire end ferrules



- Linked of wire-end ferrule strips (50 pcs.)
- Weidmüller colour code
- DIN colour code

General ordering data

Type	H0,5/14 OR BD	Version
Order No.	9004270000	Wire-end ferrule, Standard, 10 mm, 8 mm, orange
GTIN (EAN)	4008190091774	
Qty.	500 ST	
Type	H0,5/14D W BD	Version
Order No.	9004280000	Wire-end ferrule, Standard, 10 mm, 8 mm, white
GTIN (EAN)	4008190162627	
Qty.	500 ST	
Type	H0,5/14T W BD	Version
Order No.	9021930000	Wire-end ferrule, Standard, 10 mm, 8 mm, white
GTIN (EAN)	4008190262402	
Qty.	500 ST	
Type	H0,75/14 W BD	Version
Order No.	9004290000	Wire-end ferrule, Standard, 10 mm, 8 mm, white
GTIN (EAN)	4008190006778	
Qty.	500 ST	

STRIPAX PLUS 2.5

Weidmüller Interface GmbH & Co. KG
 Klingenbergstraße 26
 D-32758 Detmold
 Germany

www.weidmueller.com

Accessories

Type	H0,75/14D GR BD	Version
Order No.	9004300000	Wire-end ferrule, Standard, 10 mm, 8 mm, grey
GTIN (EAN)	4008190154837	
Qty.	500 ST	
Type	H0,75/14T HBL BD	Version
Order No.	9004310000	Wire-end ferrule, Standard, 10 mm, 8 mm, Light Blue
GTIN (EAN)	4008190179298	
Qty.	500 ST	
Type	H1,0/14 GE BD	Version
Order No.	9004320000	Wire-end ferrule, Standard, 10 mm, 8 mm, yellow
GTIN (EAN)	4008190167523	
Qty.	500 ST	
Type	H1,0/14D R BD	Version
Order No.	9004330000	Wire-end ferrule, Standard, 10 mm, 8 mm, red
GTIN (EAN)	4008190047498	
Qty.	500 ST	
Type	H1,0/14T R BD	Version
Order No.	9021950000	Wire-end ferrule, Standard, 10 mm, 8 mm, red
GTIN (EAN)	4008190262747	
Qty.	500 ST	
Type	H1,5/14 R BD	Version
Order No.	9004340000	Wire-end ferrule, Standard, 10 mm, 8 mm, red
GTIN (EAN)	4008190080723	
Qty.	500 ST	
Type	H1,5/14D SW BD	Version
Order No.	9004350000	Wire-end ferrule, Standard, 10 mm, 8 mm, black
GTIN (EAN)	4008190005474	
Qty.	500 ST	
Type	H1,5/14T SW BD	Version
Order No.	9021960000	Wire-end ferrule, Standard, 10 mm, 8 mm, black
GTIN (EAN)	4008190262389	
Qty.	500 ST	
Type	H2,5/14D BL BD	Version
Order No.	9004360000	Wire-end ferrule, Standard, 12 mm, 8 mm, blue
GTIN (EAN)	4008190083397	
Qty.	500 ST	
Type	H2,5/14T GR BD	Version
Order No.	9004370000	Wire-end ferrule, Standard, 10 mm, 8 mm, grey
GTIN (EAN)	4008190052508	
Qty.	500 ST	

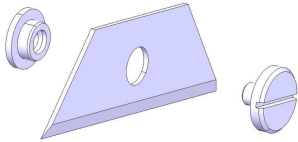
STRIPAX PLUS 2.5

Weidmüller Interface GmbH & Co. KG
 Klingenbergstraße 26
 D-32758 Detmold
 Germany

www.weidmueller.com

Accessories

Accessories / replacement parts



Cutting, stripping and crimping tools for connected wire-end ferrules strips

- Cutting
- Stripping
- Crimping
- Automatic feeding of wire end ferrules
- Ratchet guarantees precise crimping
- Release option in the event of incorrect operation
- Efficient: only one tool needed for cable work, and thus significant time saved
- Only strips of linked wire end ferrules, each containing 50 pieces, from Weidmüller may be processed. The use of wire end ferrules on reels may lead to destructon.

General ordering data

Type	ERSATZMESSER STRIPAX PL	Version
Order No.	9050340000	Spare cutting blade
GTIN (EAN)	4008190350949	
Qty.	5 ST	
Type	ERTE AIME SPX P II	Version
Order No.	2917160000	Cutting blade
GTIN (EAN)	4099986548121	
Qty.	1 ST	