

## PZ 16

**Weidmüller Interface GmbH & Co. KG**  
Klingenbergstraße 26  
D-32758 Detmold  
Germany

[www.weidmueller.com](http://www.weidmueller.com)



Crimping tools for wire end ferrules, with and without plastic collars

- Ratchet guarantees precise crimping
- Release option in the event of incorrect operation

### General ordering data

|            |   |
|------------|---|
| Version    | Pressing tool, Crimping tool for wire-end ferrules, 6mm <sup>2</sup> , 16mm <sup>2</sup> , Indent crimp |
| Order No.  | <a href="#">9012600000</a>  |
| Type       | PZ 16   |
| GTIN (EAN) | 4008 190035440  |
| Qty.       | 1 items   |

**PZ 16**

**Weidmüller Interface GmbH & Co. KG**  
 Klingenbergstraße 26  
 D-32758 Detmold  
 Germany

www.weidmueller.com

**Technical data**

**Dimensions and weights**

|            |         |                |            |
|------------|---------|----------------|------------|
| Width      | 200 mm  | Width (inches) | 7.874 inch |
| Net weight | 429.8 g |                |            |

**Environmental Product Compliance**

|                        |                                      |
|------------------------|--------------------------------------|
| RoHS Compliance Status | Not affected                         |
| REACH SVHC             | Lead 7439-92-1                       |
| SCIP                   | 2159813b-98fd-4068-b62a-bc89a046c012 |

**Technical data**

|                        |                  |         |   |
|------------------------|------------------|---------|---|
| Description of article | (2)Crimping tool | Version | Mechanical, without interchangeable inserts |
|------------------------|------------------|---------|---|

**Description of contact**

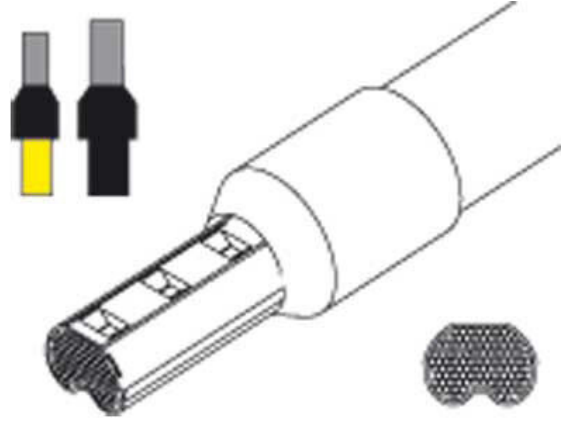
|                                   |  |                                   |                    |
|-----------------------------------|--|-----------------------------------|--------------------|
| Type of contact                   | Wire-end ferrules with/without plastic collars | Conductor cross-section, max. AWG | AWG 6              |
| Conductor cross-section, min. AWG | AWG 10   | Crimping range, max.              | 16 mm <sup>2</sup> |
| Crimping range, min.              | 6 mm <sup>2</sup>                              |                                   |                    |

**tool data crimping**

|                                       |                   |                                       |                    |
|---------------------------------------|-------------------|---------------------------------------|--------------------|
| Drive                                 | mechanical        | Wire end ferrules cross-section, max. | 16 mm <sup>2</sup> |
| Wire end ferrules cross-section, min. | 6 mm <sup>2</sup> | Crimping type/profile                 | Indent crimp       |

**Classifications**

|             |             |             |             |
|-------------|-------------|-------------|-------------|
| ETIM 8.0    | EC000168    | ETIM 9.0    | EC000168    |
| ETIM 10.0   | EC000168    | ECLASS 14.0 | 21-04-38-11 |
| ECLASS 15.0 | 21-04-38-11 |             |             |



## PZ 16

**Weidmüller Interface GmbH & Co. KG**  
 Klingenbergstraße 26  
 D-32758 Detmold  
 Germany

www.weidmueller.com

## Accessories

### in multipack bag

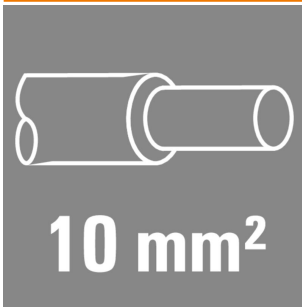


- Polypropylene conical cable entry
  - Heat-resistant up to 105°C
- for conductors from 1.5 to 16 mm<sup>2</sup> (AWG 16-6)  
 tin-plated copper  
 dimensional tolerances to DIN 46228 part 4

### General ordering data

|            |                            |  |  |
|------------|----------------------------|--|--|
| Type       | H6,0/23X GE SV             | Version  |  |
| Order No.  | <a href="#">9006790000</a> | Wire-end ferrule, Standard, 17 mm, 12 mm, yellow |  |
| GTIN (EAN) | 4008190332303              |  |  |
| Qty.       | 100 ST                     |  |  |

### Conductor nom. cross-section 10mm<sup>2</sup>



- supplied loose in polybag
- Weidmüller colour code
- DIN colour code
- other colour code

### General ordering data

|            |                            |   |  |
|------------|----------------------------|---|--|
| Type       | H10,0/22 EB                | Version   |  |
| Order No.  | <a href="#">0534200000</a> | Wire-end ferrule, Standard, 15 mm, 12 mm, Ivory |  |
| GTIN (EAN) | 4008190033460              |   |  |
| Qty.       | 100 ST                     |   |  |
| Type       | H10,0/22D R                | Version   |  |
| Order No.  | <a href="#">9019240000</a> | Wire-end ferrule, Standard, 15 mm, 12 mm, red   |  |
| GTIN (EAN) | 4008190075385              |   |  |
| Qty.       | 100 ST                     |   |  |
| Type       | H10,0/22T BR               | Version   |  |
| Order No.  | <a href="#">9021150000</a> | Wire-end ferrule, Standard, 15 mm, 12 mm, brown |  |
| GTIN (EAN) | 4008190086886              |   |  |
| Qty.       | 100 ST                     |   |  |
| Type       | H10,0/28 EB                | Version   |  |
| Order No.  | <a href="#">0565800000</a> | Wire-end ferrule, Standard, 21 mm, 18 mm, Ivory |  |
| GTIN (EAN) | 4008190138646              |   |  |
| Qty.       | 100 ST                     |   |  |
| Type       | H10,0/28D R                | Version   |  |
| Order No.  | <a href="#">9019250000</a> | Wire-end ferrule, Standard, 21 mm, 18 mm, red   |  |
| GTIN (EAN) | 4008190041410              |   |  |
| Qty.       | 100 ST                     |   |  |

## PZ 16

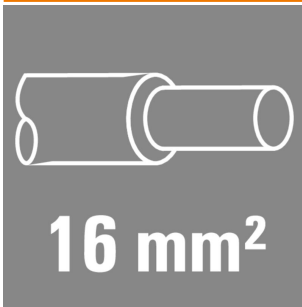
**Weidmüller Interface GmbH & Co. KG**  
 Klingenbergstraße 26  
 D-32758 Detmold  
 Germany

www.weidmueller.com

## Accessories

|            |                            |   |  |
|------------|----------------------------|---|--|
| Type       | H10,0/28T BR               | Version   |  |
| Order No.  | <a href="#">9021160000</a> | Wire-end ferrule, Standard, 21 mm, 18 mm, brown |  |
| GTIN (EAN) | 4008190041915              |   |  |
| Qty.       | 100 ST                     |   |  |

### Conductor nom. cross-section 16mm<sup>2</sup>



- supplied loose in poly-bag
- Weidmüller colour code
- DIN colour code
- other colour code

### General ordering data

|            |                            |   |  |
|------------|----------------------------|---|--|
| Type       | H16,0/22 GN                | Version   |  |
| Order No.  | <a href="#">0565900000</a> | Wire-end ferrule, Standard, 15 mm, 12 mm, green |  |
| GTIN (EAN) | 4008190022181              |   |  |
| Qty.       | 100 ST                     |   |  |
| Type       | H16,0/22D BL               | Version   |  |
| Order No.  | <a href="#">9019260000</a> | Wire-end ferrule, Standard, 15 mm, 12 mm, blue  |  |
| GTIN (EAN) | 4008190125806              |   |  |
| Qty.       | 100 ST                     |   |  |
| Type       | H16,0/22T W                | Version   |  |
| Order No.  | <a href="#">9021170000</a> | Wire-end ferrule, Standard, 15 mm, 12 mm, white |  |
| GTIN (EAN) | 4008190151478              |   |  |
| Qty.       | 100 ST                     |   |  |
| Type       | H16,0/28 GN                | Version   |  |
| Order No.  | <a href="#">0566000000</a> | Wire-end ferrule, Standard, 21 mm, 18 mm, green |  |
| GTIN (EAN) | 4008190165406              |   |  |
| Qty.       | 100 ST                     |   |  |
| Type       | H16,0/28D BL               | Version   |  |
| Order No.  | <a href="#">9019270000</a> | Wire-end ferrule, Standard, 21 mm, 18 mm, blue  |  |
| GTIN (EAN) | 4008190100773              |   |  |
| Qty.       | 100 ST                     |   |  |
| Type       | H16,0/28T W                | Version   |  |
| Order No.  | <a href="#">9021180000</a> | Wire-end ferrule, Standard, 21 mm, 18 mm, white |  |
| GTIN (EAN) | 4008190151980              |   |  |
| Qty.       | 100 ST                     |   |  |

## Accessories

Conductor nom. cross-section 6.0mm<sup>2</sup>6 mm<sup>2</sup>

- supplied loose in poly-bag
- Weidmüller colour code
- DIN colour code
- other colour code

## General ordering data

|            |                            |  |
|------------|----------------------------|--|
| Type       | H6,0/20T GN                | Version  |
| Order No.  | <a href="#">9021130000</a> | Wire-end ferrule, Standard, 14 mm, 12 mm, green  |
| GTIN (EAN) | 4008190111731              |  |
| Qty.       | 100 ST                     |  |
| Type       | H6,0/20 SW                 | Version  |
| Order No.  | <a href="#">0533500000</a> | Wire-end ferrule, Standard, 14 mm, 12 mm, black  |
| GTIN (EAN) | 4008190183905              |  |
| Qty.       | 100 ST                     |  |
| Type       | H6,0/20D GE                | Version  |
| Order No.  | <a href="#">9019220000</a> | Wire-end ferrule, Standard, 14 mm, 12 mm, yellow |
| GTIN (EAN) | 4008190151607              |  |
| Qty.       | 100 ST                     |  |
| Type       | H6,0/26 SW                 | Version  |
| Order No.  | <a href="#">0565700000</a> | Wire-end ferrule, Standard, 20 mm, 18 mm, black  |
| GTIN (EAN) | 4008190026837              |  |
| Qty.       | 100 ST                     |  |
| Type       | H6,0/26D GE                | Version  |
| Order No.  | <a href="#">9019230000</a> | Wire-end ferrule, Standard, 20 mm, 18 mm, yellow |
| GTIN (EAN) | 4008190072117              |  |
| Qty.       | 100 ST                     |  |
| Type       | H6,0/26T GN                | Version  |
| Order No.  | <a href="#">9021140000</a> | Wire-end ferrule, Standard, 20 mm, 18 mm, green  |
| GTIN (EAN) | 4008190022501              |  |
| Qty.       | 100 ST                     |  |

Nominal conductor cross-section 0.25 mm<sup>2</sup> - 6.0 mm<sup>2</sup>

- For conductors from 0.25 to 6,0 mm<sup>2</sup> (AWG 24 - 10)  
tin-plated copper  
dimensional tolerances to DIN 46228 part 1
- supplied loose in polybag

## PZ 16

**Weidmüller Interface GmbH & Co. KG**  
 Klingenbergstraße 26  
 D-32758 Detmold  
 Germany

www.weidmueller.com

## Accessories

## General ordering data

|            |                            |  |  |
|------------|----------------------------|--|--|
| Type       | H6,0/10                    | Version                                      |  |
| Order No.  | <a href="#">9004120000</a> | Wire-end ferrule, Standard, 10 mm, 10 mm, No |  |
| GTIN (EAN) | 4008190104795              |  |  |
| Qty.       | 500 ST                     |  |  |
| Type       | H6,0/12                    | Version                                      |  |
| Order No.  | <a href="#">0191900000</a> | Wire-end ferrule, Standard, 12 mm, 12 mm, No |  |
| GTIN (EAN) | 4008190026851              |  |  |
| Qty.       | 500 ST                     |  |  |
| Type       | H6,0/15                    | Version                                      |  |
| Order No.  | <a href="#">0124700000</a> | Wire-end ferrule, Standard, 15 mm, 15 mm, No |  |
| GTIN (EAN) | 4008190003807              |  |  |
| Qty.       | 500 ST                     |  |  |
| Type       | H6,0/18                    | Version                                      |  |
| Order No.  | <a href="#">9004130000</a> | Wire-end ferrule, Standard, 18 mm, 18 mm, No |  |
| GTIN (EAN) | 4008190143626              |  |  |
| Qty.       | 500 ST                     |  |  |

Nominal conductor cross-section 10.0 mm<sup>2</sup> - 185.0 mm<sup>2</sup>

For conductors from 10.0 to 185.0 mm<sup>2</sup> (AWG 7 - 350 MCM)  
 tin-plated copper  
 dimensional tolerances to DIN 46228 part 1  
 • supplied loose in poly-bag

## General ordering data

|            |                            |  |  |
|------------|----------------------------|--|--|
| Type       | H10,0/12                   | Version                                      |  |
| Order No.  | <a href="#">0282900000</a> | Wire-end ferrule, Standard, 12 mm, 12 mm, No |  |
| GTIN (EAN) | 4008190075972              |  |  |
| Qty.       | 500 ST                     |  |  |
| Type       | H10,0/15                   | Version                                      |  |
| Order No.  | <a href="#">0124800000</a> | Wire-end ferrule, Standard, 15 mm, 15 mm, No |  |
| GTIN (EAN) | 4008190037475              |  |  |
| Qty.       | 500 ST                     |  |  |
| Type       | H10,0/18                   | Version                                      |  |
| Order No.  | <a href="#">0379300000</a> | Wire-end ferrule, Standard, 18 mm, 18 mm, No |  |
| GTIN (EAN) | 4008190156091              |  |  |
| Qty.       | 500 ST                     |  |  |
| Type       | H16,0/12                   | Version                                      |  |
| Order No.  | <a href="#">0492500000</a> | Wire-end ferrule, Standard, 12 mm, 12 mm, No |  |
| GTIN (EAN) | 4008190114190              |  |  |
| Qty.       | 500 ST                     |  |  |
| Type       | H16,0/15                   | Version                                      |  |
| Order No.  | <a href="#">0124300000</a> | Wire-end ferrule, Standard, 15 mm, 15 mm, No |  |
| GTIN (EAN) | 4008190162993              |  |  |
| Qty.       | 500 ST                     |  |  |

## PZ 16

**Weidmüller Interface GmbH & Co. KG**  
 Klingenbergstraße 26  
 D-32758 Detmold  
 Germany

www.weidmueller.com

## Accessories

|            |                            |  |
|------------|----------------------------|--|
| Type       | H16,0/18                   | Version                                      |
| Order No.  | <a href="#">0375200000</a> | Wire-end ferrule, Standard, 18 mm, 18 mm, No |
| GTIN (EAN) | 4008190077105              |  |
| Qty.       | 100 ST                     |  |
| Type       | H16,0/25                   | Version                                      |
| Order No.  | <a href="#">9004150000</a> | Wire-end ferrule, Standard, 25 mm, 25 mm, No |
| GTIN (EAN) | 4008190037253              |  |
| Qty.       | 100 ST                     |  |
| Type       | H16,0/32                   | Version                                      |
| Order No.  | <a href="#">9004160000</a> | Wire-end ferrule, Standard, 32 mm, 32 mm, No |
| GTIN (EAN) | 4008190084004              |  |
| Qty.       | 100 ST                     |  |

## Assortment of wire end ferrules with plastic collar



Box filled with wire end ferrules with plastic collar:

- in Weidmüller colour code
- DIN colour code

## General ordering data

|            |                            |   |
|------------|----------------------------|---|
| Type       | H-BOX 4,0-16,0QMM          | Version   |
| Order No.  | <a href="#">9025920000</a> | Assortment of wire end ferrules, Box, Colour code: Weidmüller |
| GTIN (EAN) | 4008190101442              |   |
| Qty.       | 1 ST                       |   |
| Type       | H-BOX 4,0-16,0QMM DIN      | Version   |
| Order No.  | <a href="#">9025400000</a> | Assortment of wire end ferrules, Box, Colour code: DIN        |
| GTIN (EAN) | 4008190341596              |   |
| Qty.       | 1 ST                       |   |

## Accessories / replacement parts



Crimping tools for wire end ferrules, with and without plastic collars

- Ratchet guarantees precise crimping
- Release option in the event of incorrect operation

## General ordering data

|            |                            |                                  |
|------------|----------------------------|----------------------------------|
| Type       | EINSATZPAAR PZ 16E         | Version                          |
| Order No.  | <a href="#">9012640000</a> | 16mm <sup>2</sup> , Indent crimp |
| GTIN (EAN) | 4008190114831              |                                  |
| Qty.       | 1 ST                       |                                  |

## PZ 16

**Weidmüller Interface GmbH & Co. KG**  
Klingenbergstraße 26  
D-32758 Detmold  
Germany

## Accessories

[www.weidmueller.com](http://www.weidmueller.com)

### Replacement parts



After stripping the insulation, a suitable contact or wire end ferrule can be crimped onto the end of the cable. Crimping forms a secure connection between conductor and contact and has largely replaced soldering. Crimping denotes the creation of a homogeneous, permanent connection between conductor and connecting element. The connection can be made only with high-quality precision tools. The result is a secure and reliable connection both in mechanical and electrical terms. Weidmüller offers a wide range of mechanical crimping tools. Integral ratchets with release mechanisms guarantee optimum crimping. Crimped connections made with Weidmüller tools comply with international standards and regulations.

### General ordering data

|            |                            |                                 |
|------------|----------------------------|---------------------------------|
| Type       | ERTE GRIFFE PZ             | Version                         |
| Order No.  | <a href="#">9202810000</a> | Pressing tool, Replacement part |
| GTIN (EAN) | 4032248512577              |                                 |
| Qty.       | 1 ST                       |                                 |