

## PZ 50

**Weidmüller Interface GmbH & Co. KG**  
Klingenbergstraße 26  
D-32758 Detmold  
Germany

[www.weidmueller.com](http://www.weidmueller.com)



Crimping tools for wire end ferrules, with and without plastic collars

- Ratchet guarantees precise crimping
- Release option in the event of incorrect operation

### General ordering data

Version	Pressing tool, Crimping tool for wire-end ferrules, 25mm <sup>2</sup> , 50mm <sup>2</sup> , Indent crimp
Order No.	<a href="#">9006450000</a>
Type	PZ 50
GTIN (EAN)	4008 190095796
Qty.	1 items

**PZ 50**

**Weidmüller Interface GmbH & Co. KG**  
 Klingenbergstraße 26  
 D-32758 Detmold  
 Germany

www.weidmueller.com

**Technical data**

**Dimensions and weights**

Width	250 mm	Width (inches)	9.8425 inch
Net weight	595.3 g		

**Environmental Product Compliance**

RoHS Compliance Status	Not affected
REACH SVHC	Lead 7439-92-1
SCIP	2159813b-98fd-4068-b62a-bc89a046c012

**Technical data**

Description of article	(1)Crimping tool	Version	Mechanical, without interchangeable inserts
------------------------	------------------	---------	---

**Description of contact**

Type of contact	Wire-end ferrules with/without plastic collars	Conductor cross-section, max. AWG	AWG 0
Conductor cross-section, min. AWG	AWG 4	Crimping range, max.	50 mm <sup>2</sup>
Crimping range, min.	25 mm <sup>2</sup>		

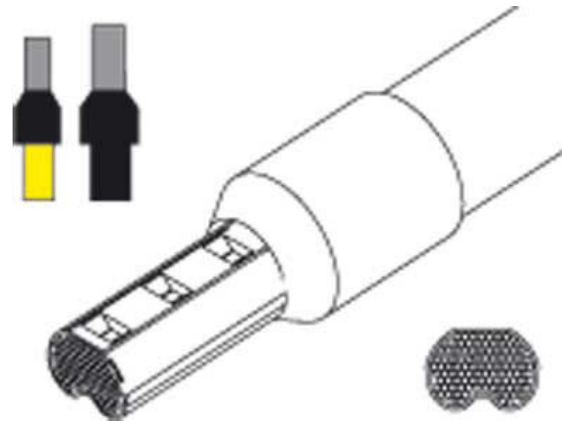
**tool data crimping**

Drive	mechanical	Wire end ferrules cross-section, max.	50 mm <sup>2</sup>
Wire end ferrules cross-section, min.	25 mm <sup>2</sup>	Crimping type/profile	Indent crimp

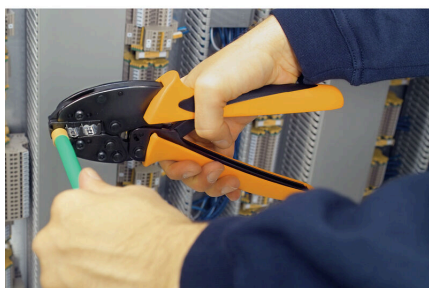
**Classifications**

ETIM 8.0	EC000168	ETIM 9.0	EC000168
ETIM 10.0	EC000168	ECLASS 14.0	21-04-38-11
ECLASS 15.0	21-04-38-11		

Drawings



Example of use



## Accessories

Conductor nom. cross-section 25mm<sup>2</sup>25 mm<sup>2</sup>

- supplied loose in poly-bag
- Weidmüller colour code
- DIN colour code
- other colour code

## General ordering data

Type	H25,0/30 BR	Version
Order No.	<a href="#">0317000000</a>	Wire-end ferrule, Standard, 18 mm, 16 mm, brown
GTIN (EAN)	4008190158231	
Qty.	50 ST	
Type	H25,0/30D 16 GE	Version
Order No.	<a href="#">9019280000</a>	Wire-end ferrule, Standard, 18 mm, 16 mm, yellow
GTIN (EAN)	4008190038380	
Qty.	50 ST	
Type	H25,0/30T SW	Version
Order No.	<a href="#">9021190000</a>	Wire-end ferrule, Standard, 18 mm, 16 mm, black
GTIN (EAN)	4008190115166	
Qty.	50 ST	
Type	H25,0/36 BR	Version
Order No.	<a href="#">0317100000</a>	Wire-end ferrule, Standard, 24 mm, 22 mm, brown
GTIN (EAN)	4008190049751	
Qty.	50 ST	
Type	H25,0/36D GE	Version
Order No.	<a href="#">9019300000</a>	Wire-end ferrule, Standard, 24 mm, 22 mm, yellow
GTIN (EAN)	4008190054984	
Qty.	50 ST	
Type	H25,0/36T SW	Version
Order No.	<a href="#">9021200000</a>	Wire-end ferrule, Standard, 24 mm, 22 mm, black
GTIN (EAN)	4008190055400	
Qty.	50 ST	

Conductor nom. cross-section 35mm<sup>2</sup>35 mm<sup>2</sup>

- supplied loose in poly-bag
- Weidmüller colour code
- DIN colour code

## PZ 50

**Weidmüller Interface GmbH & Co. KG**  
 Klingenbergstraße 26  
 D-32758 Detmold  
 Germany

www.weidmueller.com

## Accessories

### General ordering data

Type	H35,0/30 BE	Version
Order No.	<a href="#">031720000</a>	Wire-end ferrule, Standard, 19 mm, 16 mm, beige
GTIN (EAN)	4008190023904	
Qty.	50 ST	
Type	H35,0/30D 16 R	Version
Order No.	<a href="#">901931000</a>	Wire-end ferrule, Standard, 19 mm, 16 mm, red
GTIN (EAN)	4008190102234	
Qty.	50 ST	
Type	H35,0/32D R	Version
Order No.	<a href="#">901932000</a>	Wire-end ferrule, Standard, 19 mm, 18 mm, red
GTIN (EAN)	4008190111847	
Qty.	50 ST	
Type	H35,0/39 BE	Version
Order No.	<a href="#">031730000</a>	Wire-end ferrule, Standard, 28 mm, 25 mm, beige
GTIN (EAN)	4008190151294	
Qty.	50 ST	
Type	H35,0/39D R	Version
Order No.	<a href="#">901933000</a>	Wire-end ferrule, Standard, 28 mm, 25 mm, red
GTIN (EAN)	4008190048365	
Qty.	50 ST	

### Conductor nom. cross-section 50mm<sup>2</sup>



- supplied loose in poly-bag
- Weidmüller colour code
- DIN colour code

### General ordering data

Type	H50,0/41D BL	Version
Order No.	<a href="#">901935000</a>	Wire-end ferrule, Standard, 31 mm, 25 mm, blue
GTIN (EAN)	4008190049263	
Qty.	50 ST	
Type	H50,0/36 OLIV	Version
Order No.	<a href="#">044420000</a>	Wire-end ferrule, Standard, 26 mm, 20 mm, Olive green
GTIN (EAN)	4008190110284	
Qty.	50 ST	
Type	H50,0/36D BL	Version
Order No.	<a href="#">901934000</a>	Wire-end ferrule, Standard, 26 mm, 20 mm, blue
GTIN (EAN)	4008190067632	
Qty.	50 ST	

## PZ 50

**Weidmüller Interface GmbH & Co. KG**  
 Klingenbergstraße 26  
 D-32758 Detmold  
 Germany

www.weidmueller.com

## Accessories

### Nominal conductor cross-section 10.0 mm<sup>2</sup> - 185.0 mm<sup>2</sup>



For conductors from 10.0 to 185.0 mm<sup>2</sup> (AWG 7 - 350 MCM)  
 tin-plated copper  
 dimensional tolerances to DIN 46228 part 1  
 • supplied loose in poly-bag

### General ordering data

Type	H25,0/18	Version
Order No.	<a href="#">0375300000</a>	Wire-end ferrule, Standard, 18 mm, 18 mm, No
GTIN (EAN)	4008190145378	
Qty.	100 ST	
Type	H25,0/25	Version
Order No.	<a href="#">9004170000</a>	Wire-end ferrule, Standard, 25 mm, 25 mm, No
GTIN (EAN)	4008190021863	
Qty.	250 ST	
Type	H25,0/32	Version
Order No.	<a href="#">9004180000</a>	Wire-end ferrule, Standard, 32 mm, 32 mm, No
GTIN (EAN)	4008190113162	
Qty.	100 ST	
Type	H35,0/18	Version
Order No.	<a href="#">0368900000</a>	Wire-end ferrule, Standard, 18 mm, 18 mm, No
GTIN (EAN)	4008190145675	
Qty.	100 ST	
Type	H35,0/25	Version
Order No.	<a href="#">9004190000</a>	Wire-end ferrule, Standard, 25 mm, 25 mm, No
GTIN (EAN)	4008190096083	
Qty.	100 ST	
Type	H35,0/30S	Version
Order No.	<a href="#">9451000000</a>	Wire-end ferrule, Standard, 30 mm, 30 mm, No
GTIN (EAN)	4008190071516	
Qty.	100 ST	
Type	H35,0/32	Version
Order No.	<a href="#">9004200000</a>	Wire-end ferrule, Standard, 32 mm, 32 mm, No
GTIN (EAN)	4008190077303	
Qty.	100 ST	
Type	H50,0/18	Version
Order No.	<a href="#">9004210000</a>	Wire-end ferrule, Standard, 18 mm, 18 mm, No
GTIN (EAN)	4008190123383	
Qty.	100 ST	
Type	H50,0/22S	Version
Order No.	<a href="#">9025880000</a>	Wire-end ferrule, Standard, 22 mm, 22 mm, No
GTIN (EAN)	4008190180430	
Qty.	100 ST	
Type	H50,0/32	Version
Order No.	<a href="#">9004220000</a>	Wire-end ferrule, Standard, 32 mm, 32 mm, No
GTIN (EAN)	4008190059606	
Qty.	100 ST	

## PZ 50

Weidmüller Interface GmbH &amp; Co. KG

Klingenbergstraße 26

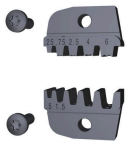
D-32758 Detmold

Germany

www.weidmueller.com

## Accessories

## Accessories / replacement parts



Crimping tools for wire end ferrules, with and without plastic collars

- Ratchet guarantees precise crimping
- Release option in the event of incorrect operation

## General ordering data

Type	ERTE ES PZ 50	Version	
Order No.	<a href="#">9006280000</a>		
GTIN (EAN)	4008190114619		
Qty.	1 ST		

## Replacement parts



After stripping the insulation, a suitable contact or wire end ferrule can be crimped onto the end of the cable. Crimping forms a secure connection between conductor and contact and has largely replaced soldering. Crimping denotes the creation of a homogeneous, permanent connection between conductor and connecting element. The connection can be made only with high-quality precision tools. The result is a secure and reliable connection both in mechanical and electrical terms. Weidmüller offers a wide range of mechanical crimping tools. Integral ratchets with release mechanisms guarantee optimum crimping. Crimped connections made with Weidmüller tools comply with international standards and regulations.

## General ordering data

Type	ERTE GRIFFE PZ	Version	
Order No.	<a href="#">9202810000</a>	Pressing tool, Replacement part	
GTIN (EAN)	4032248512577		
Qty.	1 ST		