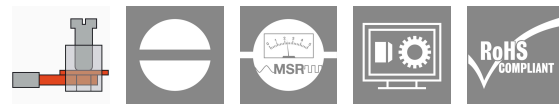


VSPC CONTROL UNIT 24VDC

Weidmüller Interface GmbH & Co. KG
 Klingenbergstraße 26
 D-32758 Detmold
 Germany

www.weidmueller.com



- Signalling module for all VSPCs with status indicator
- Signalling of cable breaks / signal interruptions
- Power supply of 20 to 31 V DC
- No-voltage changeover contact
- Function display with red/green LED
- Functional alerts with different signal types.

General ordering data

Version	Surge protection for instrumentation and control, with warning function / function indicator
Order No.	8972270000
Type	VSPC CONTROL UNIT 24VDC
GTIN (EAN)	4032248793488
Qty.	1 items

VSPC CONTROL UNIT 24VDC

Weidmüller Interface GmbH & Co. KG
 Klingenbergstraße 26
 D-32758 Detmold
 Germany

www.weidmueller.com

Technical data

Approvals

Approvals



ROHS	Conform
UL File Number Search	UL Website
Certificate No. (UL)	E311081

Dimensions and weights

Depth	71.5 mm	Depth (inches)	2.815 inch
Height	102 mm	Height (inches)	4.0157 inch
Width	18 mm	Width (inches)	0.7087 inch
Net weight	73.57 g		

Temperatures

Storage temperature	-40 °C...80 °C	Ambient temperature	-40 °C...70 °C
Operating temperature	-40 °C...70 °C	Humidity	5...96 %

Environmental Product Compliance

RoHS Compliance Status	Compliant with exemption
RoHS Exemption (if applicable/known)	7a, 7cl
REACH SVHC	Lead 7439-92-1
SCIP	71e97bb7-979f-4330-94c0-20c629bb05e3

Rated data UL

Certificate No. (UL)	E311081	UL certificate	UL 497b Certificate - PDF/ E311081VOL1SEC2.pdf (application/pdf)
----------------------	---------	----------------	--

CSA protection data

Gas group D	IIA	Gas groups A, B	IIC
Input-current, max. I _I	50 mA	Gas group C	IIB
Internal inductance, max. L _I	300 µH	Internal capacity, max. C _I	100 µF
Input voltage, max. U _i	31 V		

General data

Segment	Measurement - Monitoring - Setting	Version	with warning function / function indicator
Design	Installation housing	UL 94 flammability rating	V-0
Colour	orange	Protection degree	IP20
Mounting rail	TS 35, TS 35 x 7.5	Start-up time after fault correction	60 s

Insulation coordination acc. to EN 50178

Surge voltage category	III	Pollution severity	2
------------------------	-----	--------------------	---

VSPC CONTROL UNIT 24VDC

Weidmüller Interface GmbH & Co. KG
 Klingenbergstraße 26
 D-32758 Detmold
 Germany

www.weidmueller.com

Technical data

Rated data IEC / EN

Number of poles	1	Signalling contact	No
Rated voltage (DC)	24 V	Rated current I _N	50 mA
Voltage type	DC	Operating voltage	24 V
Standards	DIN EN 50178	Operating current, I _{max.}	50 mA
Max. continuous voltage, U _c (DC)	30 V	Rated load current I _L	50 mA
Start-up time after fault correction	60 s		

Further details of approvals

GOST certificate	GOST-Zertifikat - PDF/7950_n1-n4.pdf (application/pdf)
------------------	--

Diagnosis

Wire break detection	Red/green LED, flashing	Status indication	Green LED
Operational readiness	LED green		

alarm output

Switching voltage	250 V AC	Type	1 CO contact
Switching current	1 A		

Connection data

Stripping length	5.5 mm	Type of connection	Pluggable screw connection
Stripping length, rated connection	5 mm	Tightening torque, min.	0.5 Nm
Tightening torque, max.	0.5 Nm	Clamping range, min.	0.5 mm ²
Clamping range, max.	2.5 mm ²	Wire cross-section, solid, min.	0.5 mm ²
Wire cross-section, solid, max.	2.5 mm ²	Wire connection cross section, finely stranded, max.	1.5 mm ²
Conductor cross-section, flexible, AEH (DIN 46228-1), min.	0.5 mm ²	Conductor cross-section, flexible, AEH (DIN 46228-1), max.	2.5 mm ²
Connection cross-section, stranded, min.	0.5 mm ²	Connection cross-section, stranded, max.	1.5 mm ²

Electrical data

Voltage type	DC
--------------	----

General data

Number of poles	1	Protection degree	IP20
Colour	orange		

Ratings IECEx/ATEX/cUL

cUL certificate	cUL Certificate - pdf/VSPC.PDF (application/pdf)
-----------------	--

Guarantee

Time interval	5 years
---------------	---------

VSPC CONTROL UNIT 24VDC

Weidmüller Interface GmbH & Co. KG
Klingenbergstraße 26
D-32758 Detmold
Germany

www.weidmueller.com

Technical data

Classifications

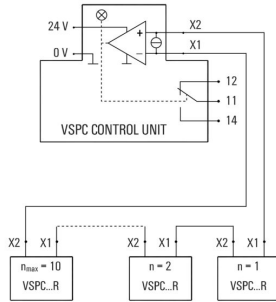
ETIM 8.0	EC000943	ETIM 9.0	EC000943
ETIM 10.0	EC000943	ECLASS 14.0	27-17-15-01
ECLASS 15.0	27-17-15-01		

VSPC CONTROL UNIT 24VDC

Weidmüller Interface GmbH & Co. KG
 Klingenbergstraße 26
 D-32758 Detmold
 Germany

Drawings

www.weidmueller.com



Cate- gory	Testing pulse	Surge voltage	Surge current	Pulse	Type
C1	Quick-rising edge	0.5 - 2 kV with 1.2/50 µs	0.25 - 1 kA mit 8/20 µs	300	Surge voltage arrester
C2	Quick-rising edge	2 - 10 kV with 1.2/50 µs	1 - 5 kA mit 8/20 µs	10	Surge voltage arrester
C3	Quick-rising edge	≥ 1 kV with 1 kV/µs	10 - 100 A mit 10/10000 µs	300	Surge voltage arrester
D1	High power	≥ 1 kV	0.5 - 2.5 kA mit 10/350 µs	2	Arrester for lightning current and surge voltages

Discharge capacity

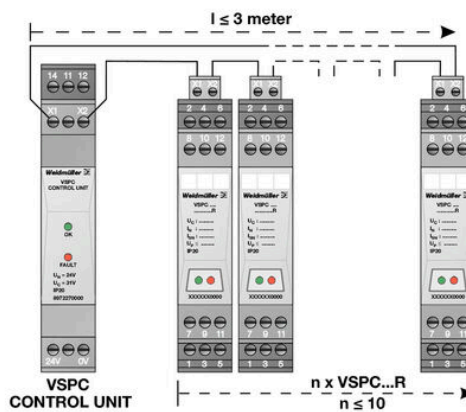
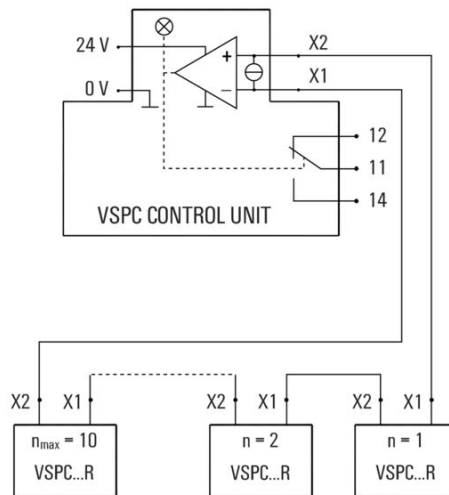
VSPC CONTROL UNIT 24VDC

Weidmüller Interface GmbH & Co. KG
 Klingenbergstraße 26
 D-32758 Detmold
 Germany

Drawings

www.weidmueller.com

Op



Application example

VSPC CONTROL UNIT 24VDC

Weidmüller Interface GmbH & Co. KG
Klingenbergstraße 26
D-32758 Detmold
Germany

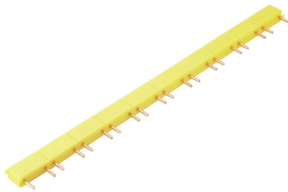
www.weidmueller.com

Accessories**Slotted screwdriver**

Slotted screwdriver with rounded blade SD DIN 5265, ISO 2380/2, output to DIN 5264, ISO 2380/1. ChromTop tip, SoftFinish grip

General ordering data

Type	SDS 0.6X3.5X200	Version	
Order No.	9010110000	Screwdriver, Screwdriver	
GTIN (EAN)	4032248300754		
Qty.	1 ST		

Cross-connections

Cross-connection between the VSPC signal contacts can be installed quickly. Cross-connections can be individually separated for the alert function with maximum 10 VSPC R.

General ordering data

Type	QB 17,8/2	Version	
Order No.	1309470000		
GTIN (EAN)	4050118111934		
Qty.	90 ST		