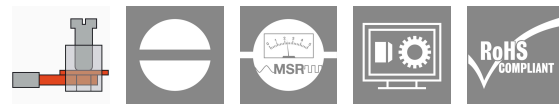


## VSPC CONTROL UNIT 24VDC

**Weidmüller Interface GmbH & Co. KG**  
 Klingenbergstraße 26  
 D-32758 Detmold  
 Germany

www.weidmueller.com



- Signalling module for all VSPCs with status indicator
- Signalling of cable breaks / signal interruptions
- Power supply of 20 to 31 V DC
- No-voltage changeover contact
- Function display with red/green LED
- Functional alerts with different signal types.

### General ordering data

Version	Surge protection for instrumentation and control, with warning function / function indicator
Order No.	<a href="#">8972270000</a>
Type	VSPC CONTROL UNIT 24VDC
GTIN (EAN)	4032248793488
Qty.	1 items

## VSPC CONTROL UNIT 24VDC

**Weidmüller Interface GmbH & Co. KG**  
 Klingenbergstraße 26  
 D-32758 Detmold  
 Germany

www.weidmueller.com

## Technical data

### Approvals

Approvals



ROHS	Conform
UL File Number Search	<a href="#">UL Website</a>
Certificate No. (UL)	E311081

### Dimensions and weights

Depth	71.5 mm	Depth (inches)	2.815 inch
Height	102 mm	Height (inches)	4.0157 inch
Width	18 mm	Width (inches)	0.7087 inch
Net weight	73.57 g		

### Temperatures

Storage temperature	-40 °C...80 °C	Ambient temperature	-40 °C...70 °C
Operating temperature	-40 °C...70 °C	Humidity	5...96 %

### Environmental Product Compliance

RoHS Compliance Status	Compliant with exemption
RoHS Exemption (if applicable/known)	7a, 7cl
REACH SVHC	Lead 7439-92-1
SCIP	71e97bb7-979f-4330-94c0-20c629bb05e3

### Rated data UL

Certificate No. (UL)	E311081	UL certificate	UL 497b Certificate - PDF/ E311081VOL1SEC2.pdf (application/pdf)
----------------------	---------	----------------	--

### CSA protection data

Gas group D	IIA	Gas groups A, B	IIC
Input-current, max. I <sub>I</sub>	50 mA	Gas group C	IIB
Internal inductance, max. L <sub>I</sub>	300 µH	Internal capacity, max. C <sub>I</sub>	100 µF
Input voltage, max. U <sub>i</sub>	31 V		

### General data

Segment	Measurement - Monitoring - Setting	Version	with warning function / function indicator
Design	Installation housing	UL 94 flammability rating	V-0
Colour	orange	Protection degree	IP20
Mounting rail	TS 35, TS 35 x 7.5	Start-up time after fault correction	60 s

### Insulation coordination acc. to EN 50178

Surge voltage category	III	Pollution severity	2
------------------------	-----	--------------------	---

## VSPC CONTROL UNIT 24VDC

**Weidmüller Interface GmbH & Co. KG**  
 Klingenbergstraße 26  
 D-32758 Detmold  
 Germany

www.weidmueller.com

### Technical data

#### Rated data IEC / EN

Number of poles	1	Signalling contact	No
Rated voltage (DC)	24 V	Rated current I <sub>N</sub>	50 mA
Voltage type	DC	Operating voltage	24 V
Standards	DIN EN 50178	Operating current, I <sub>max.</sub>	50 mA
Max. continuous voltage, U <sub>c</sub> (DC)	30 V	Rated load current I <sub>L</sub>	50 mA
Start-up time after fault correction	60 s		

#### Further details of approvals

GOST certificate	GOST-Zertifikat - PDF/7950_n1-n4.pdf (application/pdf)
------------------	--

#### Diagnosis

Wire break detection	Red/green LED, flashing	Status indication	Green LED
Operational readiness	LED green		

#### alarm output

Switching voltage	250 V AC	Type	1 CO contact
Switching current	1 A		

#### Connection data

Stripping length	5.5 mm	Type of connection	Pluggable screw connection
Stripping length, rated connection	5 mm	Tightening torque, min.	0.5 Nm
Tightening torque, max.	0.5 Nm	Clamping range, min.	0.5 mm <sup>2</sup>
Clamping range, max.	2.5 mm <sup>2</sup>	Wire cross-section, solid, min.	0.5 mm <sup>2</sup>
Wire cross-section, solid, max.	2.5 mm <sup>2</sup>	Wire connection cross section, finely stranded, max.	1.5 mm <sup>2</sup>
Conductor cross-section, flexible, AEH (DIN 46228-1), min.	0.5 mm <sup>2</sup>	Conductor cross-section, flexible, AEH (DIN 46228-1), max.	2.5 mm <sup>2</sup>
Connection cross-section, stranded, min.	0.5 mm <sup>2</sup>	Connection cross-section, stranded, max.	1.5 mm <sup>2</sup>

#### Electrical data

Voltage type	DC
--------------	----

#### General data

Number of poles	1	Protection degree	IP20
Colour	orange		

#### Ratings IECEx/ATEX/cUL

cUL certificate	cUL Certificate - pdf/ VSPC.PDF (application/pdf)
-----------------	---

#### Guarantee

Time interval	5 years
---------------	---------

**VSPC CONTROL UNIT 24VDC**

**Weidmüller Interface GmbH & Co. KG**  
Klingenbergstraße 26  
D-32758 Detmold  
Germany

[www.weidmueller.com](http://www.weidmueller.com)

**Technical data**

**Classifications**

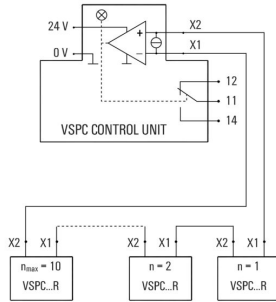
ETIM 8.0	EC000943	ETIM 9.0	EC000943
ETIM 10.0	EC000943	ECLASS 14.0	27-17-15-01
ECLASS 15.0	27-17-15-01		

**VSPC CONTROL UNIT 24VDC**

**Weidmüller Interface GmbH & Co. KG**  
 Klingenbergstraße 26  
 D-32758 Detmold  
 Germany

**Drawings**

www.weidmueller.com



Cate- gory	Testing pulse	Surge voltage	Surge current	Pulse Type
C1	Quick- rising edge	0.5 - 2 kV with 1.2/50 µs	0.25 - 1 kA mit 8/20 µs	300 Surge voltage arrester
C2	Quick- rising edge	2 - 10 kV with 1.2/50 µs	1 - 5 kA mit 8/20 µs	10 Surge voltage arrester
C3	Quick- rising edge	≥ 1 kV with 1 kV/µs	10 - 100 A mit 10/10000 µs	300 Surge voltage arrester
D1	High power	≥ 1 kV	0.5 - 2.5 kA mit 10/350 µs	2 Arrester for lightning current and surge voltages

Discharge capacity

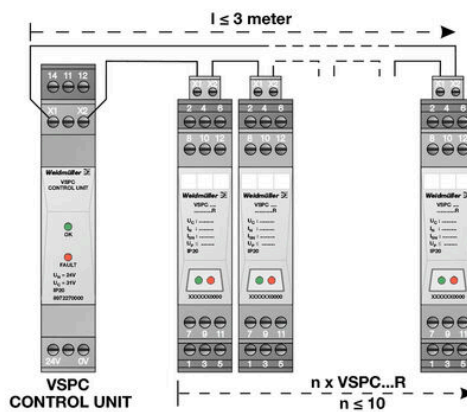
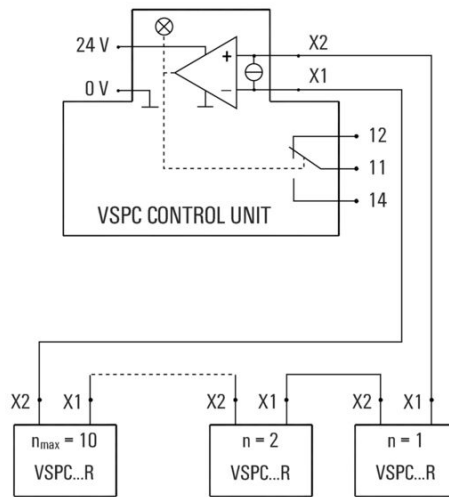
VSPC CONTROL UNIT 24VDC

Weidmüller Interface GmbH & Co. KG  
 Klingenbergstraße 26  
 D-32758 Detmold  
 Germany

Drawings

www.weidmueller.com

Op



Application example