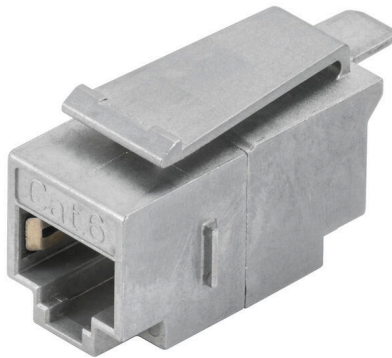


IE-XR-RJ45/RJ45-2

Weidmüller Interface GmbH & Co. KG
Klingenbergstraße 26
D-32758 Detmold
Germany

www.weidmueller.com



IE plug-in connectors, IP20, for copper and fibre optic cables

General ordering data

Version	Mounting flange, Cat.6A / Class EA (ISO/IEC 11801 2010), IP20
Order No.	8952950000
Type	IE-XR-RJ45/RJ45-2
GTIN (EAN)	4032248744329
Qty.	24 items

IE-XR-RJ45/RJ45-2

Weidmüller Interface GmbH & Co. KG
 Klingenbergstraße 26
 D-32758 Detmold
 Germany

www.weidmueller.com

Technical data

Approvals

ROHS	Conform
------	---------

Dimensions and weights

Net weight	21.33 g
------------	---------

Temperatures

Storage temperature	Operating temperature	-40 °C...70 °C
Installation temperature		

Environmental Product Compliance

RoHS Compliance Status	Compliant without exemption
REACH SVHC	No SVHC above 0.1 wt%

General data

Connection 1	RJ45	Housing main material	Zinc diecast
Category	Cat.6A / Class EA (ISO/IEC 11801 2010)	Shielding	360°; shield contact
Protection degree	IP20	Insertion force	≤ 30 N
Plugging cycles	750		

Electrical properties

Contact resistance	≤ 20 mΩ	Dielectric strength, contact / shield	≥ 1500 V AC/DC
Dielectric strength, contact / contact	≥ 1000 V AC/DC	Current-carrying capacity at 50 °C	1 A
PoE / PoE+	conforming to IEEE 802.3at		

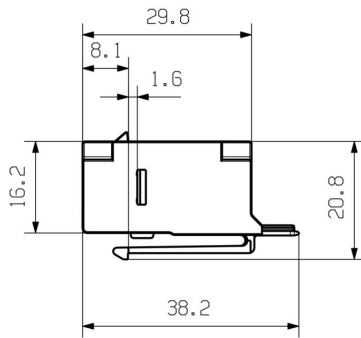
General standards

Connector standard	IEC 60603-7-5
--------------------	---------------

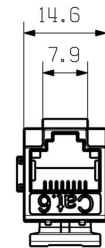
Classifications

ETIM 8.0	EC001121	ETIM 9.0	EC001121
ETIM 10.0	EC001121	ECLASS 14.0	27-44-03-90
ECLASS 15.0	27-44-03-90		

Dimensioned drawing



Dimensioned drawing



Installation cut-out

