

## MCZ OVP HF 12V 0,3A

**Weidmüller Interface GmbH & Co. KG**  
 Klingenbergstraße 26  
 D-32758 Detmold  
 Germany

www.weidmueller.com



Surge protection for fast analogue instrumentation circuits

- Slimline overvoltage protection terminal with tension clamp connection
- 6 mm Slimline fine overvoltage protection
- fast wiring thanks to TS contact and tension clamp connections
- can be cross-connected

### General ordering data

Version	Surge protection for instrumentation and control, Surge protection for measurement and control
Order No.	<a href="#">8948610000</a>
Type	MCZ OVP HF 12V 0,3A
GTIN (EAN)	403224873886 1
Qty.	10 items

## MCZ OVP HF 12V 0,3A

Weidmüller Interface GmbH & Co. KG  
Klingenbergstraße 26  
D-32758 Detmold  
Germany

www.weidmueller.com

## Technical data

## Approvals

Approvals



ROHS Conform

## Dimensions and weights

Depth	63.5 mm	Depth (inches)	2.5 inch
Height	91 mm	Height (inches)	3.5827 inch
Width	6 mm	Width (inches)	0.2362 inch
Net weight	23.67 g		

## Temperatures

Storage temperature	-40 °C...85 °C	Operating temperature	-40 °C...60
---------------------	----------------	-----------------------	-------------

## Environmental Product Compliance

RoHS Compliance Status	Compliant with exemption
RoHS Exemption (if applicable/known)	7a
REACH SVHC	Lead 7439-92-1
SCIP	c9db83e7-2b25-44e1-8d26-da64d426373f

## General data

Segment	Measurement - Monitoring - Setting	Version	Surge protection for measurement and control
Design	Terminal	UL 94 flammability rating	V-0
Colour	black	Protection degree	IP20
Mounting rail	TS 35	Height with TS 35	63.5 mm

## Insulation coordination acc. to EN 50178

Surge voltage category	III	Pollution severity	2
------------------------	-----	--------------------	---

## Rated data IEC / EN

Rated voltage (AC)	13 V	Rated voltage (DC), max.	18.5 V
Rated voltage (DC)	12 V	Rated current I <sub>N</sub>	0.5 A
Protection level on output side Wire-wire 25 V 1 kV/μs, typically		Protection level on output side Wire-PE 1kV/μs, typically	25 V
Protection level on output side Wire-wire 25 V 8/20 μs, typically		Protection level on output side Wire-PE 8/20 μs, typically	40 V
Voltage type	AC/DC	Fuse protection	0.5 A
Response time / fallback time	≤ 100 ps	Operating voltage	13 A
Volume resistance	2.50 Ω	Operating current, I <sub>max</sub>	0.3 A
Discharge current, max. (8/20 μs)	5 kA	Requirements category acc. to IEC 61643-21	D1, C3, C2, C1
Limiting frequency (-3 dB) at load resistance	100 MHz (measured in 100-Ω system)	Max. continuous voltage, U <sub>c</sub> (AC)	13 V

**MCZ OVP HF 12V 0,3A**

**Weidmüller Interface GmbH & Co. KG**  
 Klingenbergstraße 26  
 D-32758 Detmold  
 Germany

www.weidmueller.com

**Technical data**

**Connection data**

Stripping length	8 mm	Cross-section	1.5 mm <sup>2</sup>
Wire connection method	Spring connection	Type of connection	Tension-clamp connection
Stripping length, rated connection	8 mm	Clamping range, rated connection	1.5 mm <sup>2</sup>
Clamping range, min.	0.5 mm <sup>2</sup>	Clamping range, max.	1.5 mm <sup>2</sup>
Wire connection cross section AWG, min.	AWG 26	Wire connection cross section AWG, max.	AWG 16
Wire cross-section, solid, min.	0.5 mm <sup>2</sup>	Wire cross-section, solid, max.	1.5 mm <sup>2</sup>
Wire cross-section, solid, min. (AWG)	AWG 26	Wire cross-section, solid, max. (AWG)	AWG 16
Wire connection cross section, finely stranded, min.	0.5 mm <sup>2</sup>	Wire connection cross section, finely stranded, max.	1.5 mm <sup>2</sup>
Wire cross-section, finely stranded, min. (AWG)	AWG 26	Wire cross-section, finely stranded, max. (AWG)	AWG 16
Wire connection cross-section, finely stranded with wire-end ferrules DIN 46228/4, min.	0.5 mm <sup>2</sup>	Wire connection cross-section, finely stranded with wire-end ferrules DIN 46228/4, max.	1.5 mm <sup>2</sup>
Conductor cross-section, flexible, AEH (DIN 46228-1), min.	0.5 mm <sup>2</sup>	Conductor cross-section, flexible, AEH (DIN 46228-1), max.	1.5 mm <sup>2</sup>
Blade size	0.6 x 3.5 mm		

**Electrical data**

Voltage type	AC/DC
--------------	-------

**General data**

Protection degree	IP20	Colour	black
-------------------	------	--------	-------

**Classifications**

ETIM 8.0	EC000943	ETIM 9.0	EC000943
ETIM 10.0	EC000943	ECLASS 14.0	27-17-15-01
ECLASS 15.0	27-17-15-01		

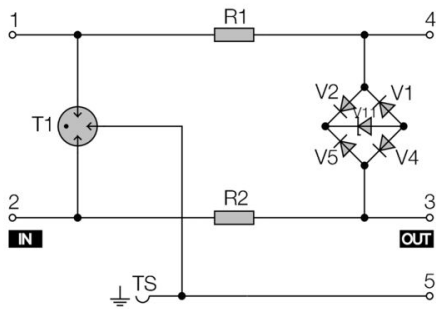
MCZ OVP HF 12V 0,3A

Weidmüller Interface GmbH & Co. KG  
Klingenbergstraße 26  
D-32758 Detmold  
Germany

Drawings

[www.weidmueller.com](http://www.weidmueller.com)

Electric symbol



Circuit diagram

## MCZ OVP HF 12V 0,3A

**Weidmüller Interface GmbH & Co. KG**  
 Klingenbergstraße 26  
 D-32758 Detmold  
 Germany

[www.weidmueller.com](http://www.weidmueller.com)

## Accessories

### Steel



Steel DIN rails are the most widespread on the market. Among metal DIN rails, they have the lowest shortcircuit protection, similar to stainless steel.

#### General ordering data

Type	TS 35X7.5 2M/ST/ZN	Version	
Order No.	<a href="#">0383400000</a>	Terminal rail, Accessories, Steel, galvanic zinc plated and passivated,	
GTIN (EAN)	4008190088026	Width: 2000 mm, Height: 35 mm, Depth: 7.5 mm	
Qty.	40 M		

### End bracket



Weidmüller's range of products includes end brackets that guarantee a permanent, reliable mounting on the terminal rail and prevent sliding. Versions with and without screws are available. The end brackets include marking options, also for group markers, and also a test plug holder.

#### General ordering data

Type	EW 35	Version	
Order No.	<a href="#">0383560000</a>	End bracket, beige, TS 35, V-2, Wemid, Width: 8.5 mm, 100 °C	
GTIN (EAN)	4008190181314		
Qty.	50 ST		

### Steel



Steel DIN rails are the most widespread on the market. Among metal DIN rails, they have the lowest shortcircuit protection, similar to stainless steel.

#### General ordering data

Type	TS 35X15/2.3 2M/ST/ZN	Version	
Order No.	<a href="#">0498000000</a>	Terminal rail, Accessories, Steel, galvanic zinc plated and passivated,	
GTIN (EAN)	4008190042493	Width: 2000 mm, Height: 35 mm, Depth: 15 mm	
Qty.	20 M		

## MCZ OVP HF 12V 0,3A

**Weidmüller Interface GmbH & Co. KG**  
 Klingenbergstraße 26  
 D-32758 Detmold  
 Germany

www.weidmueller.com

## Accessories

### AP MCZ 1.5 - End plate



Open miniature housing in modular terminal format with five tension clamp connections. A transparent hinged top plate can be used for labelling and provides access to potentiometer and status displays. Plug-in cross-connectors can be used to interconnect the three top connections. A cover plate for closing off the housing is also available.

#### General ordering data

Type	AP MCZ1.5 SW 1683	Version	
Order No.	<a href="#">1046410000</a>	End plate, OMNIMATE Housing - TERMINALBOX black, End plate,	
GTIN (EAN)	4032248782246	Width: 1.5 mm	
Qty.	50 ST		

### Slotted screwdriver



VDE insulated slot-head screwdriver, SDI DIN 7437, ISO 2380/2, drive output acc. to DIN 5264, ISO 2380/1. SoftFinish grip

#### General ordering data

Type	SDIS 0.6X3.5X100	Version	
Order No.	<a href="#">9008390000</a>	Screwdriver, Screwdriver	
GTIN (EAN)	4032248056354		
Qty.	1 ST		