

MCZ OVP HF 24V 0,3A

Weidmüller Interface GmbH & Co. KG
 Klingenbergstraße 26
 D-32758 Detmold
 Germany

www.weidmueller.com



Surge protection for fast analogue instrumentation circuits

- Slimline overvoltage protection terminal with tension clamp connection
- 6 mm Slimline fine overvoltage protection
- fast wiring thanks to TS contact and tension clamp connections
- can be cross-connected

General ordering data

Version	Surge protection for instrumentation and control, Surge protection for measurement and control
Order No.	8948600000
Type	MCZ OVP HF 24V 0,3A
GTIN (EAN)	4032248738854
Qty.	10 items

MCZ OVP HF 24V 0,3A

Weidmüller Interface GmbH & Co. KG
 Klingenbergstraße 26
 D-32758 Detmold
 Germany

www.weidmueller.com

Technical data

Approvals

Approvals



ROHS Conform

Dimensions and weights

Depth	63.5 mm	Depth (inches)	2.5 inch
Height	91 mm	Height (inches)	3.5827 inch
Width	6 mm	Width (inches)	0.2362 inch
Net weight	26.2 g		

Temperatures

Storage temperature -40 °C...85 °C Operating temperature -40 °C...60

Environmental Product Compliance

RoHS Compliance Status	Compliant with exemption
RoHS Exemption (if applicable/known)	7a
REACH SVHC	Lead 7439-92-1
SCIP	c9db83e7-2b25-44e1-8d26-da64d426373f

General data

Segment	Measurement - Monitoring - Setting	Version	Surge protection for measurement and control
Design	Terminal	UL 94 flammability rating	V-0
Colour	black	Protection degree	IP20
Mounting rail	TS 35	Height with TS 35	63.5 mm

Insulation coordination acc. to EN 50178

Surge voltage category III Pollution severity 2

Rated data IEC / EN

Rated voltage (AC)	24 V	Rated voltage (DC), max.	40 V
Rated voltage (DC)	24 V	Rated current I _N	0.5 A
Protection level on output side Wire-wire 80 V 1 kV/μs, typically		Protection level on output side Wire-PE 80 V 1kV/μs, typically	
Protection level on output side Wire-wire 80 V 8/20 μs, typically		Protection level on output side Wire-PE 150 V 8/20 μs, typically	
Voltage type	AC/DC	Fuse protection	0.5 A
Response time / fallback time	≤ 100 ps	Operating voltage	28 A
Volume resistance	2.50 Ω	Operating current, I _{max} .	0.3 A
Discharge current, max. (8/20 μs)	5 kA	Requirements category acc. to IEC 61643-21	D1, C3, C2, C1
Limiting frequency (-3 dB) at load resistance	100 MHz (measured in 100-Ω system)	Max. continuous voltage, U _c (AC)	28 V

MCZ OVP HF 24V 0,3A

Weidmüller Interface GmbH & Co. KG
 Klingenbergstraße 26
 D-32758 Detmold
 Germany

www.weidmueller.com

Technical data

Connection data

Stripping length	8 mm	Cross-section	1.5 mm ²
Wire connection method	Spring connection	Type of connection	Tension-clamp connection
Stripping length, rated connection	8 mm	Clamping range, rated connection	1.5 mm ²
Clamping range, min.	0.5 mm ²	Clamping range, max.	1.5 mm ²
Wire connection cross section AWG, min.	AWG 26	Wire connection cross section AWG, max.	AWG 16
Wire cross-section, solid, min.	0.5 mm ²	Wire cross-section, solid, max.	1.5 mm ²
Wire cross-section, solid, min. (AWG)	AWG 26	Wire cross-section, solid, max. (AWG)	AWG 16
Wire connection cross section, finely stranded, min.	0.5 mm ²	Wire connection cross section, finely stranded, max.	1.5 mm ²
Wire cross-section, finely stranded, min. (AWG)	AWG 26	Wire cross-section, finely stranded, max. (AWG)	AWG 16
Wire connection cross-section, finely stranded with wire-end ferrules DIN 46228/4, min.	0.5 mm ²	Wire connection cross-section, finely stranded with wire-end ferrules DIN 46228/4, max.	1.5 mm ²
Conductor cross-section, flexible, AEH (DIN 46228-1), min.	0.5 mm ²	Conductor cross-section, flexible, AEH (DIN 46228-1), max.	1.5 mm ²
Blade size	0.6 x 3.5 mm		

Electrical data

Voltage type	AC/DC
--------------	-------

General data

Protection degree	IP20	Colour	black
-------------------	------	--------	-------

Classifications

ETIM 8.0	EC000943	ETIM 9.0	EC000943
ETIM 10.0	EC000943	ECLASS 14.0	27-17-15-01
ECLASS 15.0	27-17-15-01		

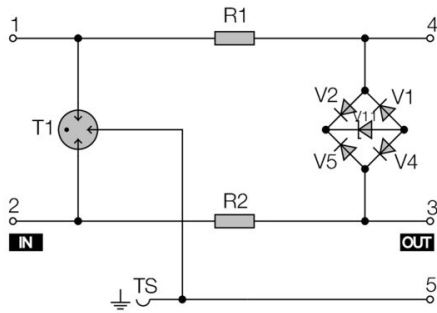
MCZ OVP HF 24V 0,3A

Weidmüller Interface GmbH & Co. KG
Klingenbergstraße 26
D-32758 Detmold
Germany

Drawings

www.weidmueller.com

Electric symbol



Circuit diagram