

IE-TO-SCRJ-MM

Weidmüller Interface GmbH & Co. KG
Klingenbergstraße 26
D-32758 Detmold
Germany

www.weidmueller.com



Mounting rail outlet, SC-RJ junction design according to IEC 61754-24

General ordering data

Version	Mounting rail outlet, fibre-optic, SCRJ, Multimode, GOF, POF, IP20
Order No.	8946990000
Type	IE-TO-SCRJ-MM
GTIN (EAN)	4032248735006
Qty.	10 items

IE-TO-SCRJ-MM

Weidmüller Interface GmbH & Co. KG
 Klingenbergstraße 26
 D-32758 Detmold
 Germany

www.weidmueller.com

Technical data

Approvals

Approvals



ROHS	Conform
UL File Number Search	UL Website
Certificate No. (UL)	E477798

Dimensions and weights

Net weight	22 g
------------	------

Temperatures

Storage temperature	Operating temperature	-40 °C...70 °C
Installation temperature		

Environmental Product Compliance

RoHS Compliance Status	Compliant without exemption
REACH SVHC	No SVHC above 0.1 wt%

General data

Colour	Light Grey	Housing main material	PA UL 94 V0
Type of mounting	TS 35	Protection degree	IP20
Plugging cycles	1000	Fibre type	Multimode, GOF, POF
Insertion loss	≤ 0.4 dB	Connection 1	SCRJ
Connection 2	SCRJ		

General standards

Connector standard	IEC 61754-24	Certificate No. (UL)	E477798
--------------------	--------------	----------------------	---------

Classifications

ETIM 8.0	EC000313	ETIM 9.0	EC000313
ETIM 10.0	EC000313	ECLASS 14.0	27-44-03-20
ECLASS 15.0	27-44-03-20		

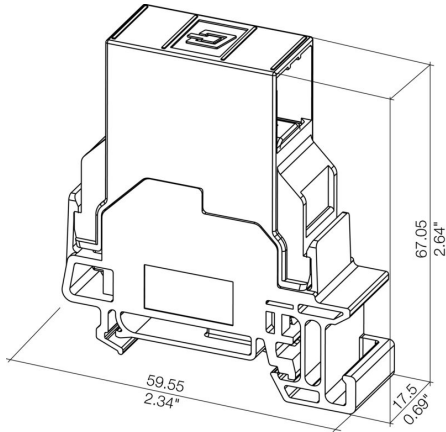
IE-TO-SCRJ-MM

Weidmüller Interface GmbH & Co. KG
Klingenbergstraße 26
D-32758 Detmold
Germany

Drawings

www.weidmueller.com

Dimensioned drawing



IE-TO-SCRJ-MM

Weidmüller Interface GmbH & Co. KG
 Klingenbergstraße 26
 D-32758 Detmold
 Germany

Accessories

www.weidmueller.com

Blank



ESG is the tried-and-tested marker in MultiCard format for use on many well-known electrical devices. The result is high-quality device marking with a high-contrast appearance.

Various types are available for devices from manufacturers like Siemens, ABB, Beckhoff etc.

Advantages at a glance:

- Tags for universal usage, self-adhesive or clip-on tags, depending on type
- For aligned equipment, e.g. circuit breakers, we supply ESG markers for clipping onto tag rails
- Individual laser-quality printing according to specifications

For custom printing: Please send us a file of our labeling software M-Print PRO or M-Print PRO Online (without installation) for your labeling specifications.

General ordering data

Type	ESG 9/11 K MC NE WS	Version	
Order No.	1857440000		ESG, Device markers x 11 mm, PA 66, Colour: white, Self-adhesive
GTIN (EAN)	4032248402731		
Qty.	200 ST		