

IE-TO-RJ45-FJ-A

Weidmüller Interface GmbH & Co. KG
Klingenbergstraße 26
D-32758 Detmold
Germany

www.weidmueller.com



Mounting rail outlet, RJ45 module design according to IEC 60603-7-51, for wires with diameters up to 1.6 mm

General ordering data

Version	Mounting rail outlet, RJ45, EIA/TIA T568 A, IP20, Cat.6A / Class EA (ISO/IEC 11801 2010)
Order No.	8946930000
Type	IE-TO-RJ45-FJ-A
GTIN (EAN)	4032248734917
Qty.	10 items

Technical data

Approvals

Approvals



ROHS	Conform
UL File Number Search	UL Website
Certificate no. (cULus)	E471884

Dimensions and weights

Net weight	5.42 g
------------	--------

Temperatures

Storage temperature	Operating temperature	-40 °C...70 °C
Installation temperature	Humidity	0...93 % rel. humidity

Environmental Product Compliance

RoHS Compliance Status	Compliant without exemption
REACH SVHC	No SVHC above 0.1 wt%

General data

Reference product	IE-BI-RJ45-FJ-A	Connection 1	RJ45
Connection 2	IDC	Composition	Switchable volt. connection from module/ coupling to mounting rail
Wiring	EIA/TIA T568 A	Colour	Light Grey
Shock resistance acc. to IEC 60512-6-3	250 ms-2	Vibration resistance acc. to IEC 60512-6-4	50 ms-2 sinusoidal (9...500 Hz)
Humidity	0...93 % rel. humidity	Housing main material	PA UL 94 V0, PA 66 UL V0 E63957
Insulation cross-section, max.	1.6 mm	Category	Cat.6A / Class EA (ISO/ IEC 11801 2010)
Contact material	Spring steel, Ni 1.2 µm	Contact surface	Au ≥ 0.8 µm
Connection diameter, solid	0.4...0.64 mm	Conductor connection cross-section, solid (AWG)	AWG 24...AWG 22
Connection diameter, flexible	0.48...0.76 mm	Conductor connection cross-section, flexible (AWG)	AWG 26...AWG 22
Sheath diameter, min.	5.5 mm	Sheath diameter, max.	10 mm
Type of mounting	TS 35	Shielding	Yes
Protection degree	IP20	Plugging cycles	750 (RJ45)
Ability to reconnect	≥ 10 cycles for AWG 23-26, ≥ 4 cycles for AWG 22		

Electrical properties

Contact resistance	≤ 20 mΩ	Dielectric strength, contact / shield	≥ 1500 V AC/DC
Dielectric strength, contact / contact	≥ 1000 V AC/DC	Insulation resistance	500 MΩ
Current-carrying capacity at 50 °C	1 A	PoE / PoE+	conforming to IEEE 802.3bt

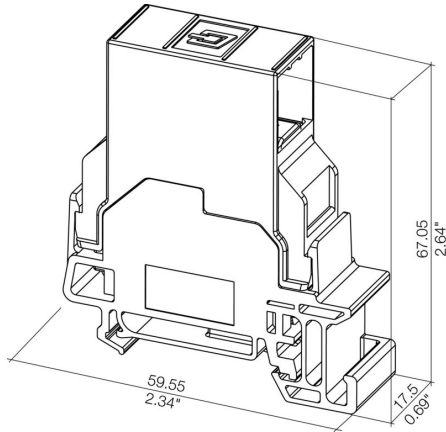
Technical data**General standards**

Connector standard	IEC 60603-7-5 1	Certificate no. (cULus)	E471884
--------------------	-----------------	-------------------------	---------

Classifications

ETIM 8.0	EC000313	ETIM 9.0	EC000313
ETIM 10.0	EC000313	ECLASS 14.0	27-44-03-20
ECLASS 15.0	27-44-03-20		

Dimensioned drawing



IE-TO-RJ45-FJ-A

Weidmüller Interface GmbH & Co. KG
 Klingenbergstraße 26
 D-32758 Detmold
 Germany

www.weidmueller.com

Accessories

Blank



ESG is the tried-and-tested marker in MultiCard format for use on many well-known electrical devices. The result is high-quality device marking with a high-contrast appearance.

Various types are available for devices from manufacturers like Siemens, ABB, Beckhoff etc.

Advantages at a glance:

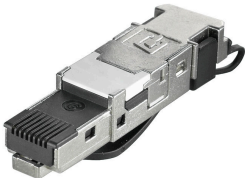
- Tags for universal usage, self-adhesive or clip-on tags, depending on type
- For aligned equipment, e.g. circuit breakers, we supply ESG markers for clipping onto tag rails
- Individual laser-quality printing according to specifications

For custom printing: Please send us a file of our labeling software M-Print PRO or M-Print PRO Online (without installation) for your labeling specifications.

General ordering data

Type	ESG 9/11 K MC NE WS	Version	
Order No.	1857440000	ESG, Device markers x 11 mm, PA 66, Colour: white, Self-adhesive	
GTIN (EAN)	4032248402731		
Qty.	200 ST		

RJ45 tool-free



RJ45 plug-in connector (tool-less) according to IEC 60603-7-51 for wire outer diameters up to 1.6 mm

General ordering data

Type	IE-PS-RJ45-FH-BK-A	Version	
Order No.	1132040000	RJ45 IDC plug, Cat.6A / Class EA (ISO/IEC 11801 2010), 8-core,	
GTIN (EAN)	4032248912155	EIA/TIA T568 A	
Qty.	10 ST		