

**IE-TO-RJ45-C****Weidmüller Interface GmbH & Co. KG**

Klingenbergstraße 26

D-32758 Detmold

Germany

www.weidmueller.com



Mounting rail outlet, RJ45 junction design according to IEC 60603-7-51

**General ordering data**

Version	Mounting rail outlet, RJ45, Coupling, IP20, Cat.6A / Class EA (ISO/IEC 11801 2010)
Order No.	<a href="#">8946920000</a>
Type	IE-TO-RJ45-C
GTIN (EAN)	4032248734801
Qty.	1 items

## Technical data

### Approvals

Approvals



ROHS Conform

UL File Number Search [UL Website](#)

Certificate no. (cULus) E471884

### Dimensions and weights

Net weight 52.1 g

### Temperatures

Storage temperature	Operating temperature	-40 °C...70 °C
Installation temperature	Humidity	0...93 % rel. humidity

### Environmental Product Compliance

RoHS Compliance Status Compliant without exemption

REACH SVHC No SVHC above 0.1 wt%

### General data

Reference product	<a href="#">IE-BI-RJ45-C</a>	Connection 1	RJ45
Connection 2	RJ45	Composition	Switchable volt. connection from module/ coupling to mounting rail
Wiring	Coupling	Colour	Light Grey
Shock resistance acc. to IEC 60512-6-3	250 ms-2	Vibration resistance acc. to IEC 60512-6-4	50 ms-2 sinusoidal (9...500 Hz)
Humidity	0...93 % rel. humidity	Housing main material	PA UL 94 V0, PA 66 UL V0 E63957
Category	Cat.6A / Class EA (ISO/ IEC 11801 2010)	Contact material	Spring steel, Ni 1.2 µm
Contact surface	Au ≥ 0.8 µm	Type of mounting	TS 35
Shielding	Yes	Protection degree	IP20
Plugging cycles	750 (RJ45)		

### Electrical properties

Contact resistance	≤ 20 mΩ	Dielectric strength, contact / shield	≥ 1500 V AC/DC
Dielectric strength, contact / contact	≥ 1000 V AC/DC	Insulation resistance	500 MΩ
Current-carrying capacity at 50 °C	1 A	PoE / PoE+	conforming to IEEE 802.3af

### General standards

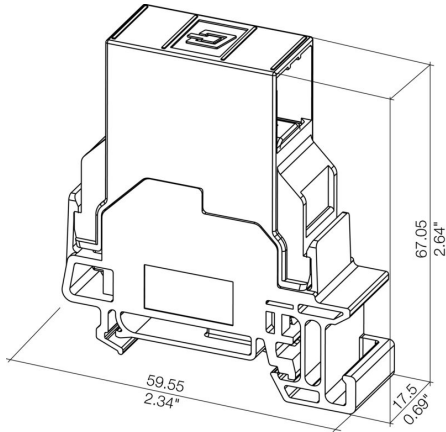
Connector standard	IEC 60603-7-51	Certificate no. (cULus)	E471884
--------------------	----------------	-------------------------	---------

### Classifications

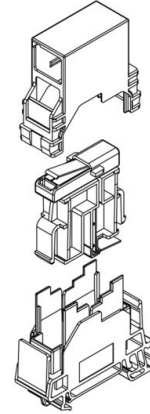
ETIM 8.0	EC000313	ETIM 9.0	EC000313
ETIM 10.0	EC000313	ECLASS 14.0	27-44-03-20
ECLASS 15.0	27-44-03-20		

Drawings

Dimensioned drawing

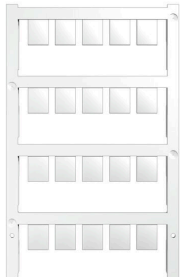


Drawing



## Accessories

## Blank



ESG is the tried-and-tested marker in MultiCard format for use on many well-known electrical devices. The result is high-quality device marking with a high-contrast appearance.

Various types are available for devices from manufacturers like Siemens, ABB, Beckhoff etc.

Advantages at a glance:

- Tags for universal usage, self-adhesive or clip-on tags, depending on type
- For aligned equipment, e.g. circuit breakers, we supply ESG markers for clipping onto tag rails
- Individual laser-quality printing according to specifications

For custom printing: Please send us a file of our labeling software M-Print PRO or M-Print PRO Online (without installation) for your labeling specifications.

## General ordering data

Type	ESG 9/11 K MC NE WS	Version	
Order No.	<a href="#">1857440000</a>		ESG, Device markers x 11 mm, PA 66, Colour: white, Self-adhesive
GTIN (EAN)	4032248402731		
Qty.	200 ST		