

**IE-M12-ADAP A**

**Weidmüller Interface GmbH & Co. KG**  
Klingenbergstraße 26  
D-32758 Detmold  
Germany

www.weidmueller.com

**General ordering data**

Version	Adapter, angled, RJ45 90&deg;. M12, Cat.5 (ISO/IEC 11801), IP67
Order No.	<a href="#">8901630000</a>
Type	IE-M12-ADAP A
GTIN (EAN)	4032248653584
Qty.	1 items

## IE-M12-ADAP A

Weidmüller Interface GmbH &amp; Co. KG

Klingenbergstraße 26

D-32758 Detmold

Germany

www.weidmueller.com

## Technical data

## Approvals

Approvals



ROHS Conform

UL File Number Search [UL Website](#)

Certificate no. (cULus) E471884

## Dimensions and weights

Net weight 36 g

## Temperatures

Storage temperature -40 °C...80 °C

Operating temperature -25 °C...80 °C

Installation temperature

## Environmental Product Compliance

RoHS Compliance Status Compliant with exemption

RoHS Exemption (if applicable/known) 6c

REACH SVHC Lead 7439-92-1

SCIP d1193a9e-dc7c-484a-ba48-176711eb392b

## Technical data customisable plug-in connectors

Number of poles 4 Coding D-coded

Contact surface Gold-plated Housing main material PA 66

Category Cat.5 (ISO/IEC 11801) Protection degree IP67

## General Info

Number of poles 4 Connection 1 RJ45 90&amp;deg;

Connection 2 M12 Description of article Adapter, angled

Composition M12 socket to RJ45 socket Housing main material PA 66

Category Cat.5 (ISO/IEC 11801) Connection thread M12

Contact surface Gold-plated Shielding Yes

Protection degree IP67

## Electrical properties

Contact resistance  $\leq 10 \text{ m}\Omega$  Current-carrying capacity at 50 °C 1 A

## Standards

Connector standard IEC 60603-7-5, IEC 61076-2-101

## General technical specifications

Number of poles 4 Coding D-coded

Connection thread M12 Contact surface Gold-plated

Version angled Housing main material PA 66

Protection degree IP67

Creation date 30.06.2026 04:46:48 MEZ

Catalogue status / Drawings

**Technical data**

**Classifications**

ETIM 8.0	EC000313	ETIM 9.0	EC000313
ETIM 10.0	EC000313	ECLASS 14.0	27-44-03-20
ECLASS 15.0	27-44-03-20		

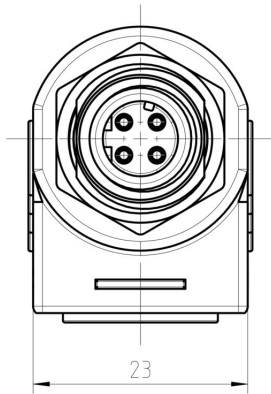
IE-M12-ADAP A

Weidmüller Interface GmbH & Co. KG  
Klingenbergstraße 26  
D-32758 Detmold  
Germany

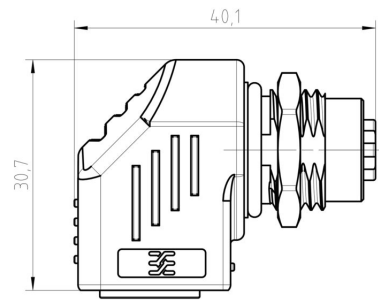
[www.weidmueller.com](http://www.weidmueller.com)

Drawings

Dimensioned drawing



Dimensioned drawing



Installation cut-out

