

IE-XM-RJ45/RJ45

Weidmüller Interface GmbH & Co. KG
Klingenbergstraße 26
D-32758 Detmold
Germany

www.weidmueller.com



Mounting rail outlet, RJ45 junction design according to IEC 60603-7-51

General ordering data

Version	Mounting rail outlet, RJ45, RJ45-RJ45 coupler, IP20, Cat.6A / Class EA (ISO/IEC 11801 2010)
Order No.	8879050000
Type	IE-XM-RJ45/RJ45
GTIN (EAN)	4032248614844
Qty.	1 items

Technical data

Approvals

Approvals



ROHS	Conform
UL File Number Search	UL Website
Certificate no. (cULus)	E316369

Dimensions and weights

Net weight	49 g
------------	------

Temperatures

Storage temperature	Operating temperature	-25 °C...70 °C
Installation temperature		

Environmental Product Compliance

RoHS Compliance Status	Compliant without exemption
REACH SVHC	No SVHC above 0.1 wt%

General data

Connection 1	RJ45	Connection 2	RJ45
Description of article	RJ45-RJ45 coupler	Composition	1 TE pitch dimension acc. to DIN 43880. insta-compatible Installation flange with mounting frame
Wiring	Colour-coded pin assignment acc. to EIA/TIA T568 A (copper)	Colour	Light Grey
Housing main material	PA 66, UL 94: V-0	Category	Cat.6A / Class EA (ISO/IEC 11801 2010)
Type of mounting	TS 35	Shielding	360°; shield contact
Protection degree	IP20	Plugging cycles	750

Electrical properties

Contact resistance	≤ 20 mΩ	Dielectric strength, contact / shield	≥ 1500 V AC/DC
Dielectric strength, contact / contact	≥ 1000 V AC/DC	Insulation resistance	500 MΩ
Current-carrying capacity at 50 °C	1 A	PoE / PoE+	conforming to IEEE 802.3at

General standards

Certificate No. (DNV)	TAE00003EW	Connector standard	IEC 60603-7-5
Certificate no. (cULus)	E316369		

Classifications

ETIM 8.0	EC001121	ETIM 9.0	EC001121
ETIM 10.0	EC001121	ECLASS 14.0	27-44-03-90
ECLASS 15.0	27-44-03-90		

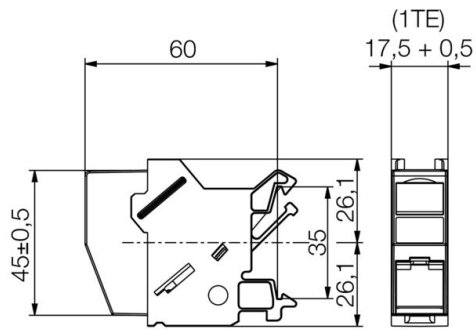
IE-XM-RJ45/RJ45

Weidmüller Interface GmbH & Co. KG
Klingenbergstraße 26
D-32758 Detmold
Germany

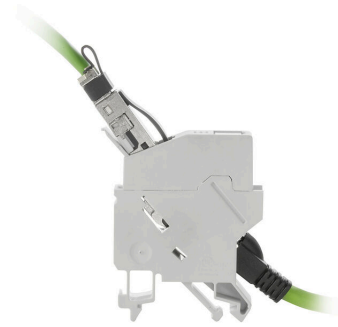
www.weidmueller.com

Drawings

Dimensioned drawing



Product image



Product image

