

RIM-I 3 6/60VAC RC
Weidmüller Interface GmbH & Co. KG

Klingenbergstraße 26

D-32758 Detmold

Germany

www.weidmueller.com

Product image


Similar to illustration

Pluggable protective modules for the RIDERSERIES RCI / RCM relay sockets, with optional protective functions.

- Optional with free-wheeling diode, protective varistor, load resistor or RC filter

General ordering data

Version	RIDERSERIES, RC filter, Rated control voltage: 6...60 V UC, Plug-in connection
Order No.	8869770000
Type	RIM-I 3 6/60VAC RC
GTIN (EAN)	4032248606320
Qty.	10 items
Delivery status	This article will no longer be available in the future.
Last order date	2026-06-30T00:00:00+02:00
Alternative product	CXX RC 51

RIM-I 3 6/60VAC RC

Weidmüller Interface GmbH & Co. KG
 Klingenbergstraße 26
 D-32758 Detmold
 Germany

www.weidmueller.com

Technical data

Approvals

Approvals



ROHS Conform

UL File Number Search [UL Website](#)

Certificate No. (cURus) E223759

Dimensions and weights

Depth	32.1 mm	Depth (inches)	1.2638 inch
Height	10.5 mm	Height (inches)	0.4134 inch
Width	11.4 mm	Width (inches)	0.4488 inch
Net weight	2.1 g		

Temperatures

Storage temperature	-40 °C...70 °C	Ambient temperature	-40 °C...70 °C
Operating temperature		Humidity	40 °C / 93 % rel. humidity, no condensation

Environmental Product Compliance

RoHS Compliance Status	Compliant with exemption
RoHS Exemption (if applicable/known)	7cl
REACH SVHC	No SVHC above 0.1 wt%

Rated data UL

Certificate No. (cURus) E223759

Control side

Rated control voltage	6...60 V UC	Rated current AC	4.1 mA
Power rating	240 mVA	Status indicator	No
Protective circuit	RC element	RC filter	470 Ω / 220 nF

General data

Colour Transparent

Further details of approvals / standards

Certificate No. (cURus) E223759

Connection data

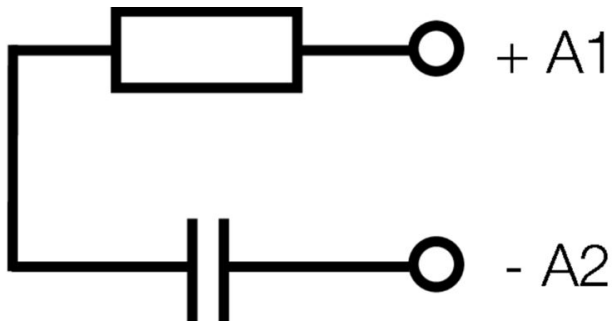
Wire connection method Plug-in connection

Classifications

ETIM 8.0	EC002586	ETIM 9.0	EC002586
ETIM 10.0	EC002586	ECLASS 14.0	27-37-16-92
ECLASS 15.0	27-37-16-92		

Drawings

Wiring diagram



Dimensional drawing



RIM-I 3 6/60VAC RC

Weidmüller Interface GmbH & Co. KG
 Klingenbergstraße 26
 D-32758 Detmold
 Germany

Drawings

www.weidmueller.com

Miscellaneous

Order No.	Type	Type code printed on part
8869770000	RIM-I 3 6/60VAC	EM 02
8869790000	RIM-I 3 110/230VAC	EM 03
8869710000	RIM-I 4 24 UC VAR	EM 04
8869750000	RIM-I 4 230 VUC CAR	EM 05
8869650000	RIM-I 3 110/230VUC	EM 06
8869630000	RIM-I 3 6/24VUC	EM 07
8869580000	RIM-I 1 6/230V	EM 09
8869660000	RIM-I 3 110/230VUC GN	EM 10
8869640000	RIM-I 3 6/24VUC GN	EM 11
8869600000	RIM-I 2 6/24VDC GN	EM 12
8869730000	RIM-I 4 110 VUC VAR	EM 13
8869610000	RIM-I 3 24/60VUC	EM 14
8869670000	RIM-I 2 24/60VDC	EM 16
8869590000	RIM-I 2 6/24VDC	EM 18
8869680000	RIM-I 2 24/60VDC GN	EM 25
8869690000	RIM-I 210/230VDC	EM 27
8869700000	RIM-I 2 110/230VDC GN	EM 28
8870830000	RIM-I R110/230V	EM 29
8869620000	RIM-I 3 24/60VUC GN	EM 30
1172210000	RIM-I 3 230VAC RC	EM 31