

SRC-I CLIP LP

Weidmüller Interface GmbH & Co. KG
Klingenbergstraße 26
D-32758 Detmold
Germany

www.weidmueller.com

Product image



General ordering data

Version	RIDERSERIES RCI, Retaining clip
Order No.	8869520000
Type	SRC-I CLIP LP
GTIN (EAN)	4032248745135
Qty.	10 items
Delivery status	This article will no longer be available in the future.
Last order date	2026-06-30T00:00:00+02:00
Alternative product	CXI CLIP P

Technical data

Approvals

ROHS	Conform
------	---------

Dimensions and weights

Depth	45.6 mm	Depth (inches)	1.7953 inch
Height	16.6 mm	Height (inches)	0.6535 inch
Width	15.5 mm	Width (inches)	0.6102 inch
Net weight	2 g		

Temperatures

Storage temperature	-40 °C...85 °C	Ambient temperature	-40 °C...70 °C
Operating temperature		Humidity	40 °C / 93 % rel. humidity, no condensation

Environmental Product Compliance

RoHS Compliance Status	Compliant without exemption
REACH SVHC	No SVHC above 0.1 wt%

General data

Version	for low relays	Basic material	Plastic
Colour	orange		

Classifications

ETIM 8.0	EC002586	ETIM 9.0	EC002586
ETIM 10.0	EC002586	ECLASS 14.0	27-37-16-92
ECLASS 15.0	27-37-16-92		

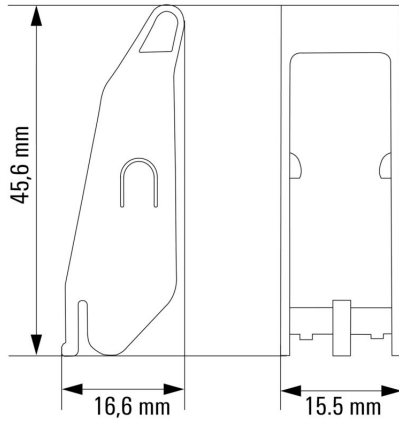
SRC-I CLIP LP

Weidmüller Interface GmbH & Co. KG
Klingenbergstraße 26
D-32758 Detmold
Germany

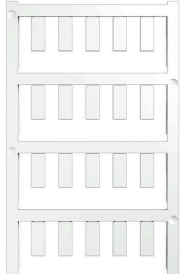
Drawings

www.weidmueller.com

Dimensional drawing



Blank



ESG is the tried-and-tested marker in MultiCard format for use on many well-known electrical devices. The result is high-quality device marking with a high-contrast appearance.

Various types are available for devices from manufacturers like Siemens, ABB, Beckhoff etc.

Advantages at a glance:

- Tags for universal usage, self-adhesive or clip-on tags, depending on type
- For aligned equipment, e.g. circuit breakers, we supply ESG markers for clipping onto tag rails
- Individual laser-quality printing according to specifications

For custom printing: Please send us a file of our labeling software M-Print PRO or M-Print PRO Online (without installation) for your labeling specifications.

General ordering data

Type	ESG 6/15 K MC NE GE	Version	
Order No.	1880130000	ESG, Device markers x 15 mm, PA 66, Colour: yellow, Self-adhesive	
GTIN (EAN)	4032248478910		
Qty.	200 ST		
Type	ESG 6/15 K MC NE WS	Version	
Order No.	1880100000	ESG, Device markers x 15 mm, PA 66, Colour: white, Self-adhesive	
GTIN (EAN)	4032248478781		
Qty.	200 ST		