

## SCM-I 4CO

Weidmüller Interface GmbH &amp; Co. KG

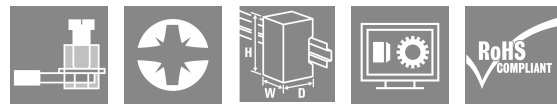
Klingenbergstraße 26

D-32758 Detmold

Germany

www.weidmueller.com

## Product image



relays sockets for RIDERSERIES RCM relays

- 2, 3 and 4 CO contacts
- Screw and PUSH IN connection
- Standard and low heights

## General ordering data

Version	RIDERSERIES RCM, Relay socket, Number of contacts: 4, CO contact, Continuous current: 6 A, Screw connection
Order No.	<a href="#">8869420000</a>
Type	SCM-I 4CO
GTIN (EAN)	4032248614271
Qty.	10 items
Delivery status	This article will no longer be available in the future.
Available until	2026-06-30T00:00:00+02:00
Alternative product	<a href="#">CSM S 4CO</a>

## SCM-I 4CO

Weidmüller Interface GmbH & Co. KG  
Klingenbergstraße 26  
D-32758 Detmold  
Germany

www.weidmueller.com

## Technical data

## Approvals

Approvals



ROHS Conform

UL File Number Search [UL Website](#)

Certificate No. (cURus) E223759

## Dimensions and weights

Depth	61.5 mm	Depth (inches)	2.4213 inch
Height	77 mm	Height (inches)	3.0315 inch
Width	27.2 mm	Width (inches)	1.0709 inch
Net weight	63.87 g		

## Temperatures

Storage temperature	-40 °C...70 °C	Ambient temperature	-40 °C...70 °C
Operating temperature		Humidity	40 °C / 93 % rel. humidity, no condensation

## Environmental Product Compliance

RoHS Compliance Status	Compliant without exemption
REACH SVHC	No SVHC above 0.1 wt%

## Rated data UL

Certificate No. (cURus) E223759

## Load side

Rated switching voltage	250 V AC	Continuous current	6 A
Max. switching voltage, AC	250 V	Max. switching voltage, DC	250 V
Contact type	4 CO contact		

## General data

Mounting rail	TS 35	Colour	black
UL 94 flammability rating	V-0		

## Insulation coordination

Rated voltage	250 V	Pollution severity	2
Surge voltage category	III	Insulating material group	IIIa
Clearance and creepage distances for control side - load side	≥ 4 mm	Dielectric strength for control side - load side	2.5 kVeff / 1 Min.
Type of isolation at input and output	Basic insulation	Dielectric strength of neighbouring contacts	2 kVeff / 1 min
Type of isolation at neighbouring contacts	Basic insulation	Dielectric strength of open contact	1.2 kVeff / 1 min.
Protection degree	IP20		

## SCM-I 4CO

**Weidmüller Interface GmbH & Co. KG**

Klingenbergstraße 26  
D-32758 Detmold  
Germany

www.weidmueller.com

## Technical data

### Further details of approvals / standards

Certificate No. (CSA)	249409-2295474	Certificate No. (VDE)	40011762
Certificate No. (cURus)	E223759		

### Connection data

Wire connection method	Screw connection	Stripping length, rated connection	8 mm
Tightening torque, min.	0.5 Nm	Tightening torque, max.	0.7 Nm
Clamping range, rated connection	2.5 mm <sup>2</sup>	Clamping range, min.	1 mm <sup>2</sup>
Clamping range, max.	2.5 mm <sup>2</sup>	Wire cross-section, solid, min.	1 mm <sup>2</sup>
Wire cross-section, solid, max.	2.5 mm <sup>2</sup>	Wire connection cross section, finely stranded, min.	1 mm <sup>2</sup>
Wire connection cross section, finely stranded, max.	2.5 mm <sup>2</sup>	Wire connection cross-section, finely stranded with wire-end ferrules DIN 46228/4, min.	1 mm <sup>2</sup>
Wire connection cross-section, finely stranded with wire-end ferrules DIN 46228/4, max.	2.5 mm <sup>2</sup>	Conductor cross-section, flexible, AEH (DIN 46228-1), min.	1 mm <sup>2</sup>
Conductor cross-section, flexible, AEH (DIN 46228-1), max.	2.5 mm <sup>2</sup>	Wire connection cross section, finely stranded, two clampable wires, min.	1 mm <sup>2</sup>
Wire cross-section, finely stranded, two clampable wires, max.	1.5 mm <sup>2</sup>	Blade size	size PZ 1

### Important note

Product information	IP20 without connected conductor at complete opened clamping yoke connection.
---------------------	-------------------------------------------------------------------------------

### Classifications

ETIM 8.0	EC001456	ETIM 9.0	EC001456
ETIM 10.0	EC001456	ECLASS 14.0	27-37-16-03
ECLASS 15.0	27-37-16-03		

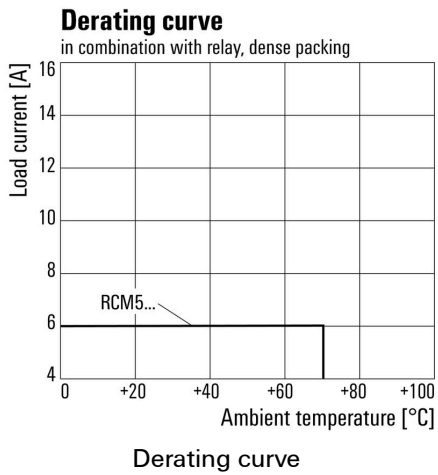
SCM-I 4CO

Weidmüller Interface GmbH & Co. KG  
 Klingenbergstraße 26  
 D-32758 Detmold  
 Germany

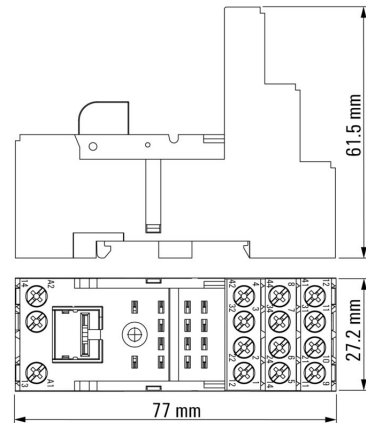
www.weidmueller.com

Drawings

Graph

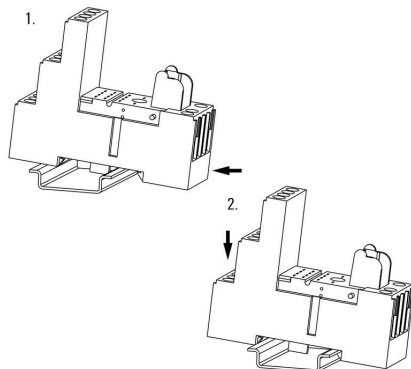


Dimensional drawing



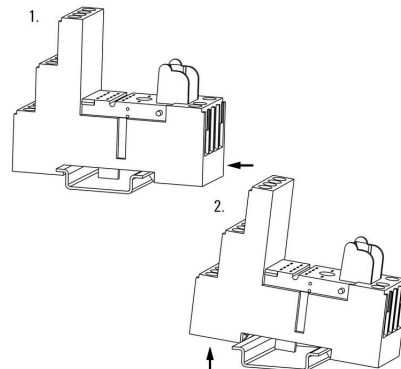
Miscellaneous

Snap on socket



Miscellaneous

Unlatching socket



## SCM-I 4CO

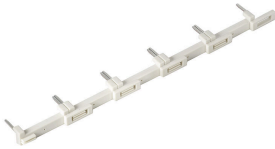
**Weidmüller Interface GmbH & Co. KG**  
 Klingenbergstraße 26  
 D-32758 Detmold  
 Germany

www.weidmueller.com

## Accessories

### Cross-connection for socket with screw connection

Cross-connection for the sockets in the D-SERIES DRM.



#### General ordering data

Type	SCM-I QV S	Version	
Order No.	<a href="#">1132080000</a>	RIDERSERIES RCM, Cross-connector	
GTIN (EAN)	4032248912193		
Qty.	10 ST		

### Retaining clips

Retaining clip for RIDERSERIES RCM relays  
 • Metal and plastic retaining clip



#### General ordering data

Type	SCM-I CLIP P	Version	
Order No.	<a href="#">8869440000</a>	RIDERSERIES RCM, Retaining clip	
GTIN (EAN)	4032248614295		
Qty.	10 ST		
Type	SCM-I CLIP M	Version	
Order No.	<a href="#">8869450000</a>	RIDERSERIES RCM, Retaining clip	
GTIN (EAN)	4032248614301		
Qty.	10 ST		

### Protection module

Pluggable protective modules for the RIDERSERIES RCI / RCM relay sockets, with optional protective functions.

- Optional with free-wheeling diode, protective varistor, load resistor or RC filter



## SCM-I 4CO

**Weidmüller Interface GmbH & Co. KG**  
 Klingenbergstraße 26  
 D-32758 Detmold  
 Germany

www.weidmueller.com

## Accessories

## General ordering data

Type	RIM-I 1 6/230V	Version
Order No.	<a href="#">8869580000</a>	RIDERSERIES, Free-wheeling diode, Rated control voltage: 6...230 V
GTIN (EAN)	4032248614523	DC, Plug-in connection
Qty.	10 ST	
Type	RIM-I 1 R 110/230V	Version
Order No.	<a href="#">8870830000</a>	RIDERSERIES, Load, Rated control voltage: 110...230 V UC, Plug-in
GTIN (EAN)	4032248631674	connection
Qty.	10 ST	

## LED / Free-wheel diode



Pluggable protective modules for the RIDERSERIES RCI / RCM relay sockets, with optional protective functions.

- Optional with green or red LED
- With free-wheeling diode
- For DC supply voltage

## General ordering data

Type	RIM-I 2 6/24VDC	Version
Order No.	<a href="#">8869590000</a>	RIDERSERIES, LED module with freewheel diode, Rated control
GTIN (EAN)	4032248614530	voltage: 6...24 V DC, Plug-in connection
Qty.	10 ST	
Type	RIM-I 2 6/24VDC GN	Version
Order No.	<a href="#">8869600000</a>	RIDERSERIES, LED module with freewheel diode, Rated control
GTIN (EAN)	4032248614547	voltage: 6...24 V DC, Plug-in connection
Qty.	10 ST	
Type	RIM-I 2 24/60VDC	Version
Order No.	<a href="#">8869670000</a>	RIDERSERIES, LED module with freewheel diode, Rated control
GTIN (EAN)	4032248614608	voltage: 24...60 V DC, Plug-in connection
Qty.	10 ST	
Type	RIM-I 2 24/60VDC GN	Version
Order No.	<a href="#">8869680000</a>	RIDERSERIES, LED module with freewheel diode, Rated control
GTIN (EAN)	4032248614615	voltage: 24...60 V DC, Plug-in connection
Qty.	10 ST	
Type	RIM-I 2 110/230VDC	Version
Order No.	<a href="#">8869690000</a>	RIDERSERIES, LED module with freewheel diode, Rated control
GTIN (EAN)	4032248614622	voltage: 110...230 V DC, Plug-in connection
Qty.	10 ST	
Type	RIM-I 2 110/230VDC GN	Version
Order No.	<a href="#">8869700000</a>	RIDERSERIES, LED module with freewheel diode, Rated control
GTIN (EAN)	4032248614639	voltage: 110...230 V DC, Plug-in connection
Qty.	10 ST	

## SCM-I 4CO

Weidmüller Interface GmbH &amp; Co. KG

Klingenbergstraße 26

D-32758 Detmold

Germany

## Accessories

www.weidmueller.com

## LED



Pluggable protective modules for the RIDERSERIES RCI / RCM relay sockets, with optional protective functions.

- Optional with green or red LED
- For UC supply voltage

## General ordering data

Type	RIM-I 3 6/24VUC	Version
Order No.	<a href="#">8869630000</a>	RIDERSERIES, LED module, Rated control voltage: 6...24 V UC, Plug-in connection
GTIN (EAN)	4032248614578	
Qty.	10 ST	
Type	RIM-I 3 6/24VUC GN	Version
Order No.	<a href="#">8869640000</a>	RIDERSERIES, LED module, Rated control voltage: 6...24 V UC, Plug-in connection
GTIN (EAN)	4032248614585	
Qty.	10 ST	
Type	RIM-I 3 24/60VUC	Version
Order No.	<a href="#">8869610000</a>	RIDERSERIES, LED module, Rated control voltage: 24...60 V UC, Plug-in connection
GTIN (EAN)	4032248614554	
Qty.	10 ST	
Type	RIM-I 3 24/60VUC GN	Version
Order No.	<a href="#">8869620000</a>	RIDERSERIES, LED module, Rated control voltage: 24...60 V UC, Plug-in connection
GTIN (EAN)	4032248614561	
Qty.	10 ST	
Type	RIM-I 3 110/230VUC	Version
Order No.	<a href="#">8869650000</a>	RIDERSERIES, LED module, Rated control voltage: 110...230 V UC, Plug-in connection
GTIN (EAN)	4032248614592	
Qty.	10 ST	
Type	RIM-I 3 110/230VUC GN	Version
Order No.	<a href="#">8869660000</a>	RIDERSERIES, LED module, Rated control voltage: 110...230 V UC, Plug-in connection
GTIN (EAN)	4032248614721	
Qty.	10 ST	

## Protection module



Pluggable protective modules for the RIDERSERIES RCI / RCM relay sockets, with optional protective functions.

- Optional with free-wheeling diode, protective varistor, load resistor or RC filter

## SCM-I 4CO

Weidmüller Interface GmbH &amp; Co. KG

Klingenbergstraße 26

D-32758 Detmold

Germany

www.weidmueller.com

## Accessories

## General ordering data

Type	RIM-I 3 6/60VAC RC	Version
Order No.	<a href="#">8869770000</a>	RIDERSERIES, RC filter, Rated control voltage: 6...60 V UC, Plug-in connection
GTIN (EAN)	4032248606320	
Qty.	10 ST	
Type	RIM-I 3 110/230VAC RC	Version
Order No.	<a href="#">8869790000</a>	RIDERSERIES, RC filter, Rated control voltage: 110...230 V UC, Plug-in connection
GTIN (EAN)	4032248606337	
Qty.	10 ST	
Type	RIM-I 3 230VAC RC	Version
Order No.	<a href="#">1172210000</a>	RIDERSERIES, RC filter, Rated control voltage: 230 V UC, Plug-in connection
GTIN (EAN)	4032248964420	
Qty.	10 ST	

## Protective varistor



Pluggable protective modules for the RIDERSERIES RCI / RCM relay sockets, with optional protective functions.

- With protective varistor
- For UC supply voltage

## General ordering data

Type	RIM-I 4 24VUC VAR	Version
Order No.	<a href="#">8869710000</a>	RIDERSERIES, Protective varistor, Rated control voltage: 24 V UC, Plug-in connection
GTIN (EAN)	4032248606344	
Qty.	10 ST	
Type	RIM-I 4 110VUC VAR	Version
Order No.	<a href="#">8869730000</a>	RIDERSERIES, Protective varistor, Rated control voltage: 110 V UC, Plug-in connection
GTIN (EAN)	4032248606351	
Qty.	10 ST	
Type	RIM-I 4 230VUC VAR	Version
Order No.	<a href="#">8869750000</a>	RIDERSERIES, Protective varistor, Rated control voltage: 230 V UC, Plug-in connection
GTIN (EAN)	4032248606368	
Qty.	10 ST	

## Crosshead screwdriver, Pozidrive



VDE insulated screwdriver sets, for working on live parts up to 1000 V AC and 1500 V DC, DIN EN 60900. IEC 900. Each piece is "GS" safety tested. Blade made from fully hardened, high-alloy chromium-vanadium-molybdenum steel, gun-metal finish.

## SCM-I 4CO

Weidmüller Interface GmbH &amp; Co. KG

Klingenbergstraße 26

D-32758 Detmold

Germany

www.weidmueller.com

## Accessories

## General ordering data

Type	SDIK SLIM PZ1 X 80	Version	
Order No.	<a href="#">2749670000</a>	Screwdriver, Blade width (B): 1 mm, 80 mm, Blade thickness (A): 1	
GTIN (EAN)	4050118896411		
Qty.	1 ST		

## Crosshead screwdriver Pozidriv

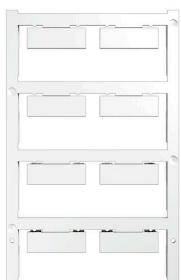


VDE insulated crosshead screwdriver type Pozidriv SDIK PZ DIN 7438, ISO 8764/2-PZ, output to ISO 8764-PZ, SoftFinish grip

## General ordering data

Type	SDIK PZ1 X 80	Version	
Order No.	<a href="#">2749920000</a>	Screwdriver, Blade width (B): 1 mm, 80 mm, Blade thickness (A): 1	
GTIN (EAN)	4050118897227		
Qty.	1 ST		
Type	SDK PZ1 X 80	Version	
Order No.	<a href="#">2749440000</a>	Screwdriver, Blade width (B): 14.5 mm, 80 mm, Blade thickness (A): 1	
GTIN (EAN)	4050118895667		
Qty.	1 ST		

## Blank



ESG is the tried-and-tested marker in MultiCard format for use on many well-known electrical devices. The result is high-quality device marking with a high-contrast appearance.

Various types are available for devices from manufacturers like Siemens, ABB, Beckhoff etc.

Advantages at a glance:

- Tags for universal usage, self-adhesive or clip-on tags, depending on type
- For aligned equipment, e.g. circuit breakers, we supply ESG markers for clipping onto tag rails
- Individual laser-quality printing according to specifications

For custom printing: Please send us a file of our labeling software M-Print PRO or M-Print PRO Online (without installation) for your labeling specifications.

## General ordering data

Type	ESG 9/26 SCM-I MC NE WS	Version	
Order No.	<a href="#">2558330000</a>	ESG, Device markers x 26 mm, PA 66, Colour: white, pluggable	
GTIN (EAN)	4050118569049		
Qty.	80 ST		