

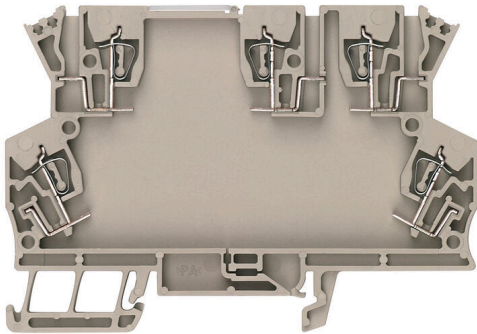
**MCZ 5****Weidmüller Interface GmbH & Co. KG**

Klingenbergstraße 26

D-32758 Detmold

Germany

www.weidmueller.com



Open miniature housing in modular terminal format with five tension clamp connections. A transparent hinged top plate can be used for labelling and provides access to potentiometer and status displays. Plug-in cross-connectors can be used to interconnect the three top connections. A cover plate for closing off the housing is also available.

**General ordering data**

Version	Mounting rail housing, OMNIMATE Housing - TERMINALBOX grey-beige, Enclosure set, Connection technology, Width: 6 mm
Order No.	<a href="#">8857560000</a>
Type	MCZ 5
GTIN (EAN)	4032248575718
Qty.	10 items

## MCZ 5

Weidmüller Interface GmbH &amp; Co. KG

Klingenbergstraße 26

D-32758 Detmold

Germany

www.weidmueller.com

## Technical data

## Approvals

ROHS	Conform
------	---------

## Dimensions and weights

Depth	62 mm	Depth (inches)	2.4409 inch
Height	100 mm	Height (inches)	3.937 inch
Width	6 mm	Width (inches)	0.2362 inch
Length	0 mm	Net weight	4.74 g

## Environmental Product Compliance

RoHS Compliance Status	Compliant without exemption
REACH SVHC	No SVHC above 0.1 wt%

## Rated data acc. to IEC

Rated current, max. number of poles (Tu=20°C)	10 A	Rated current, max. number of poles (Tu=40°C)	10 A
Rated voltage for surge voltage class / pollution degree II/2	400 V	Rated voltage for surge voltage class / pollution degree III/2	320 V
Rated voltage for surge voltage class / pollution degree III/3	250 V	Rated impulse voltage for surge voltage class/ pollution degree II/2	4 kV
Rated impulse voltage for surge voltage class/ pollution degree III/2	4 kV	Rated impulse voltage for surge voltage class/ contamination degree III/3	4 kV

## Material data

UL 94 flammability rating	V-0	Insulating material	PA 66/6
Insulating material group	I	Surface finish	untreated
Basic material	Wemid	Comparative Tracking Index (CTI)	≥ 600

## General data

Colour	grey-beige	Protection degree	IP20 in installed state
Mounting rail	TS 32, TS 35	Colour chart (similar)	
Encapsulation option	Yes		

## Design - IN requirements

Tolerance for the PCB shape	±0.1 mm	PCB thickness	1 mm
-----------------------------	---------	---------------	------

## Assembly properties

Number of connection levels	2	Number of PCBs, max.	1
Number of ventilation openings	0	Number of poles	5
Continuous current of cross-connection	10 A	Continuous current of cross-connection/ 32 A PCB	
Cross-connection	Yes	Type of contact to PCB	Solder connection, direct
Type of connection	Tension-clamp connection		

## Housing properties

Flip cover mountable	Yes	Marker integrateable	Yes
Cut out as preparation for functional portNo integrated		Continuous current of cross-connection	10 A

## MCZ 5

**Weidmüller Interface GmbH & Co. KG**

Klingenbergstraße 26  
D-32758 Detmold  
Germany

[www.weidmueller.com](http://www.weidmueller.com)

## Technical data

Cross-connection	Yes	Number of connection levels	2
Number of poles	5		

### Connectable conducteurs

Wire connection method	Tension-clamp connection	Stripping length	8 mm
Blade size	0.6 x 3.5 mm	Clamping range, min.	0.13 mm <sup>2</sup>
Clamping range, max.	2.5 mm <sup>2</sup>	Wire connection cross section AWG, min.	AWG 26
Wire connection cross section AWG, max.	AWG 14	Solid, min. H05(07) V-U	0.5 mm <sup>2</sup>
Solid, max. H05(07) V-U	2.5 mm <sup>2</sup>	Flexible, min. H05(07) V-K	0.5 mm <sup>2</sup>
w. plastic collar ferrule, DIN 46228 pt 4, 0.5 mm <sup>2</sup> min.		w. plastic collar ferrule, DIN 46228 pt 4, 1.5 mm <sup>2</sup> max.	
w. wire end ferrule, DIN 46228 pt 1, 0.5 mm <sup>2</sup> min.	0.5 mm <sup>2</sup>	w. wire end ferrule, DIN 46228 pt 1, 1.5 mm <sup>2</sup> max.	
Max. clamping range	2.5 mm <sup>2</sup>		

### Classifications

ETIM 8.0	EC001031	ETIM 9.0	EC001031
ETIM 10.0	EC001031	ECLASS 14.0	27-19-01-01
ECLASS 15.0	27-19-01-01		

## MCZ 5

Weidmüller Interface GmbH &amp; Co. KG

Klingenbergstraße 26

D-32758 Detmold

Germany

## Accessories

www.weidmueller.com

## Cross-connections



The distribution or multiplication of a potential to adjoining terminal blocks is realized via a cross-connection. Additional wiring effort can be easily avoided. Even if the poles are broken out, contact reliability in the terminal blocks is still ensured. Our portfolio offers pluggable and screwable cross-connection systems for modular terminal blocks.

## General ordering data

Type	ZQV 4N/10	Version
Order No.	<a href="#">1528090000</a>	Cross-connector (terminal), Plugged, orange, 32 A, Number of poles:
GTIN (EAN)	4050118332896	10, Pitch in mm (P): 6.10, Insulated: Yes, Width: 58.7 mm
Qty.	20 ST	
Type	ZQV 4N/2	Version
Order No.	<a href="#">1527930000</a>	Cross-connector (terminal), Plugged, orange, 32 A, Number of poles:
GTIN (EAN)	4050118332766	2, Pitch in mm (P): 6.10, Insulated: Yes, Width: 9.9 mm
Qty.	60 ST	
Type	ZQV 4N/3	Version
Order No.	<a href="#">1527940000</a>	Cross-connector (terminal), Plugged, orange, 32 A, Number of poles:
GTIN (EAN)	4050118332865	3, Pitch in mm (P): 6.10, Insulated: Yes, Width: 16 mm
Qty.	60 ST	
Type	ZQV 4N/30	Version
Order No.	<a href="#">2561580000</a>	Cross-connector (terminal), Plugged, orange, 32 A, Number of poles:
GTIN (EAN)	4050118570113	30, Pitch in mm (P): 6.10, Insulated: Yes, Width: 181.7 mm
Qty.	5 ST	
Type	ZQV 4N/32	Version
Order No.	<a href="#">2561670000</a>	Cross-connector (terminal), Plugged, orange, 32 A, Number of poles:
GTIN (EAN)	4050118570175	32, Pitch in mm (P): 6.10, Insulated: Yes, Width: 193.9 mm
Qty.	5 ST	
Type	ZQV 4N/4	Version
Order No.	<a href="#">1527970000</a>	Cross-connector (terminal), Plugged, orange, 32 A, Number of poles:
GTIN (EAN)	4050118332889	4, Pitch in mm (P): 6.10, Insulated: Yes, Width: 22.1 mm
Qty.	60 ST	
Type	ZQV 4N/5	Version
Order No.	<a href="#">1527980000</a>	Cross-connector (terminal), Plugged, orange, 32 A, Number of poles:
GTIN (EAN)	4050118332759	5, Pitch in mm (P): 6.10, Insulated: Yes, Width: 28.2 mm
Qty.	60 ST	
Type	ZQV 4N/50	Version
Order No.	<a href="#">1528130000</a>	Cross-connector (terminal), Plugged, orange, 32 A, Number of poles:
GTIN (EAN)	4050118332902	50, Pitch in mm (P): 6.10, Insulated: Yes, Width: 303.7 mm
Qty.	5 ST	
Type	ZQV 4N/6	Version
Order No.	<a href="#">1527990000</a>	Cross-connector (terminal), Plugged, orange, 32 A, Number of poles:
GTIN (EAN)	4050118332919	6, Pitch in mm (P): 6.10, Insulated: Yes, Width: 34.3 mm
Qty.	20 ST	
Type	ZQV 4N/7	Version
Order No.	<a href="#">1528020000</a>	Cross-connector (terminal), Plugged, orange, 32 A, Number of poles:
GTIN (EAN)	4050118332780	7, Pitch in mm (P): 6.10, Insulated: Yes, Width: 40.4 mm
Qty.	20 ST	

## MCZ 5

**Weidmüller Interface GmbH & Co. KG**  
 Klingenbergstraße 26  
 D-32758 Detmold  
 Germany

www.weidmueller.com

## Accessories

Type	ZQV 4N/8	Version
Order No.	<a href="#">1528030000</a>	Cross-connector (terminal), Plugged, orange, 32 A, Number of poles:
GTIN (EAN)	4050118332841	8, Pitch in mm (P): 6.10, Insulated: Yes, Width: 46.5 mm
Qty.	20 ST	
Type	ZQV 4N/9	Version
Order No.	<a href="#">1528070000</a>	Cross-connector (terminal), Plugged, orange, 32 A, Number of poles:
GTIN (EAN)	4050118332797	9, Pitch in mm (P): 6.10, Insulated: Yes, Width: 52.6 mm
Qty.	20 ST	
Type	ZQV 4N/10 SW	Version
Order No.	<a href="#">1794060000</a>	W-Series, Cross-connector, 32 A
GTIN (EAN)	4032248234059	
Qty.	20 ST	
Type	ZQV 4N/2 SW	Version
Order No.	<a href="#">1793970000</a>	W-Series, Cross-connector, 32 A
GTIN (EAN)	4032248233762	
Qty.	60 ST	
Type	ZQV 4N/20 SW	Version
Order No.	<a href="#">1909120000</a>	W-Series, Cross-connector, 32 A
GTIN (EAN)	4032248535804	
Qty.	20 ST	
Type	ZQV 4N/3 SW	Version
Order No.	<a href="#">1794000000</a>	W-Series, Cross-connector, 32 A
GTIN (EAN)	4032248233793	
Qty.	60 ST	
Type	ZQV 4N/4 SW	Version
Order No.	<a href="#">1794030000</a>	W-Series, Cross-connector, 32 A
GTIN (EAN)	4032248233915	
Qty.	60 ST	
Type	ZQV 4N/41 SW	Version
Order No.	<a href="#">1794090000</a>	W-Series, Cross-connector, 32 A
GTIN (EAN)	4032248234165	
Qty.	10 ST	