

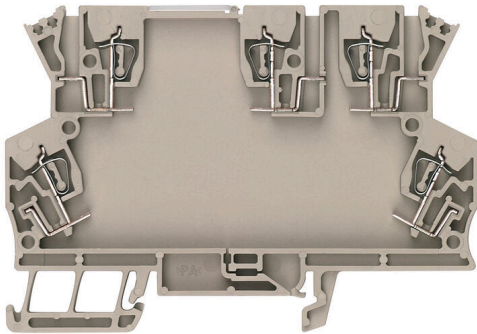
**MCZ 5****Weidmüller Interface GmbH & Co. KG**

Klingenbergstraße 26

D-32758 Detmold

Germany

www.weidmueller.com



Open miniature housing in modular terminal format with five tension clamp connections. A transparent hinged top plate can be used for labelling and provides access to potentiometer and status displays. Plug-in cross-connectors can be used to interconnect the three top connections. A cover plate for closing off the housing is also available.

**General ordering data**

Version	Mounting rail housing, OMNIMATE Housing - TERMINALBOX grey-beige, Enclosure set, Connection technology, Width: 6 mm
Order No.	<a href="#">8857560000</a>
Type	MCZ 5
GTIN (EAN)	4032248575718
Qty.	10 items

## MCZ 5

Weidmüller Interface GmbH &amp; Co. KG

Klingenbergstraße 26

D-32758 Detmold

Germany

www.weidmueller.com

## Technical data

## Approvals

ROHS	Conform
------	---------

## Dimensions and weights

Depth	62 mm	Depth (inches)	2.4409 inch
Height	100 mm	Height (inches)	3.937 inch
Width	6 mm	Width (inches)	0.2362 inch
Length	0 mm	Net weight	4.74 g

## Environmental Product Compliance

RoHS Compliance Status	Compliant without exemption
REACH SVHC	No SVHC above 0.1 wt%

## Rated data acc. to IEC

Rated current, max. number of poles (Tu=20°C)	10 A	Rated current, max. number of poles (Tu=40°C)	10 A
Rated voltage for surge voltage class / pollution degree II/2	400 V	Rated voltage for surge voltage class / pollution degree III/2	320 V
Rated voltage for surge voltage class / pollution degree III/3	250 V	Rated impulse voltage for surge voltage class/ pollution degree II/2	4 kV
Rated impulse voltage for surge voltage class/ pollution degree III/2	4 kV	Rated impulse voltage for surge voltage class/ contamination degree III/3	4 kV

## Material data

UL 94 flammability rating	V-0	Insulating material	PA 66/6
Insulating material group	I	Surface finish	untreated
Basic material	Wemid	Comparative Tracking Index (CTI)	≥ 600

## General data

Colour	grey-beige	Protection degree	IP20 in installed state
Mounting rail	TS 32, TS 35	Colour chart (similar)	
Encapsulation option	Yes		

## Design - IN requirements

Tolerance for the PCB shape	±0.1 mm	PCB thickness	1 mm
-----------------------------	---------	---------------	------

## Assembly properties

Number of connection levels	2	Number of PCBs, max.	1
Number of ventilation openings	0	Number of poles	5
Continuous current of cross-connection	10 A	Continuous current of cross-connection/ 32 A PCB	
Cross-connection	Yes	Type of contact to PCB	Solder connection, direct
Type of connection	Tension-clamp connection		

## Housing properties

Flip cover mountable	Yes	Marker integrateable	Yes
Cut out as preparation for functional portNo integrated		Continuous current of cross-connection	10 A

## MCZ 5

**Weidmüller Interface GmbH & Co. KG**

Klingenbergstraße 26  
D-32758 Detmold  
Germany

[www.weidmueller.com](http://www.weidmueller.com)

## Technical data

Cross-connection	Yes	Number of connection levels	2
Number of poles	5		

### Connectable conducteurs

Wire connection method	Tension-clamp connection	Stripping length	8 mm
Blade size	0.6 x 3.5 mm	Clamping range, min.	0.13 mm <sup>2</sup>
Clamping range, max.	2.5 mm <sup>2</sup>	Wire connection cross section AWG, min.	AWG 26
Wire connection cross section AWG, max.	AWG 14	Solid, min. H05(07) V-U	0.5 mm <sup>2</sup>
Solid, max. H05(07) V-U	2.5 mm <sup>2</sup>	Flexible, min. H05(07) V-K	0.5 mm <sup>2</sup>
w. plastic collar ferrule, DIN 46228 pt 4, 0.5 mm <sup>2</sup> min.		w. plastic collar ferrule, DIN 46228 pt 4, 1.5 mm <sup>2</sup> max.	
w. wire end ferrule, DIN 46228 pt 1, 0.5 mm <sup>2</sup> min.		w. wire end ferrule, DIN 46228 pt 1, 1.5 mm <sup>2</sup> max.	
Max. clamping range	2.5 mm <sup>2</sup>		

### Classifications

ETIM 8.0	EC001031	ETIM 9.0	EC001031
ETIM 10.0	EC001031	ECLASS 14.0	27-19-01-01
ECLASS 15.0	27-19-01-01		