

IE-XM-RJ45/IDC

Weidmüller Interface GmbH & Co. KG
Klingenbergstraße 26
D-32758 Detmold
Germany

www.weidmueller.com



Mounting rail outlet, RJ45 module design according to IEC 60603-7-51, for wires with diameters up to 1.6 mm

General ordering data

Version	Mounting rail outlet, RJ45, RJ45 module, IP20, Cat.6A / Class EA (ISO/IEC 11801 2010)
Order No.	8808360000
Type	IE-XM-RJ45/IDC
GTIN (EAN)	4032248505944
Qty.	1 items

IE-XM-RJ45/IDC

Weidmüller Interface GmbH & Co. KG

Klingenbergstraße 26

D-32758 Detmold

Germany

www.weidmueller.com

Technical data

Approvals

Approvals



ROHS Conform

UL File Number Search [UL Website](#)

Certificate no. (cULus) E316369

Dimensions and weights

Net weight 53 g

Temperatures

Storage temperature Operating temperature -25 °C...70 °C

Installation temperature

Environmental Product Compliance

RoHS Compliance Status Compliant without exemption

REACH SVHC No SVHC above 0.1 wt%

General data

Connection 1	RJ45	Connection 2	IDC
Description of article	RJ45 module	Composition	1 TE pitch dimension acc. to DIN 43880. insta-compatible Installation flange with mounting frame
Wiring	EIA/TIA T568 A, EIA/TIA T568 B, PROFINET	Colour	Light Grey
Housing main material	PA 66, UL 94: V-0	Insulation cross-section, min.	0.7 mm
Insulation cross-section, max.	1.6 mm	Category	Cat.6A / Class EA (ISO/IEC 11801 2010)
Connection diameter, solid	0.4...0.64 mm	Conductor connection cross-section, solid (AWG)	AWG 24...AWG 22
Connection diameter, flexible	0.48...0.64 mm	Conductor connection cross-section, flexible (AWG)	AWG 26...AWG 22
Sheath diameter, min.	5.5 mm	Shielding	Yes
Type of mounting	TS 35	Shielding	Yes
Protection degree	IP20	Plugging cycles	750 (RJ45)

Electrical properties

Contact resistance	≤ 20 mΩ	Dielectric strength, contact / shield	≥ 1500 V AC/DC
Dielectric strength, contact / contact	≥ 1000 V AC/DC	Insulation resistance	500 MΩ
Current-carrying capacity at 50 °C	1 A	PoE / PoE+	conforming to IEEE 802.3at

General standards

Certificate No. (DNV)	TAE00003EW	Connector standard	IEC 60603-7-5
Certificate no. (cULus)	E316369		

Technical data

Classifications

ETIM 8.0	EC000313	ETIM 9.0	EC000313
ETIM 10.0	EC000313	ECLASS 14.0	27-44-03-20
ECLASS 15.0	27-44-03-20		

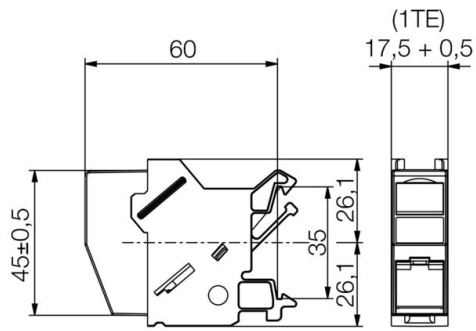
IE-XM-RJ45/IDC

Weidmüller Interface GmbH & Co. KG
Klingenbergstraße 26
D-32758 Detmold
Germany

www.weidmueller.com

Drawings

Dimensioned drawing



Product image



Accessories

Outlet marker



Markers for the labelling panel of terminal rail outlets from Weidmüller.

The benefits for you:

- white
- blank
- on labelling sheet

General ordering data

Type	IE-DM	Version	
Order No.	8813500000		
GTIN (EAN)	4032248513345		
Qty.	50 ST		