

IE-XM-ST/ST

Weidmüller Interface GmbH & Co. KG

Klingenbergstraße 26
D-32758 Detmold
Germany

www.weidmueller.com



Mounting rail outlet, ST junction design according to IEC 61754-2

General ordering data

Version	Mounting rail outlet, fibre-optic, ST-ST coupler, IP20
Order No.	8808340000
Type	IE-XM-ST/ST
GTIN (EAN)	4032248505920
Qty.	1 items

IE-XM-ST/ST

Weidmüller Interface GmbH & Co. KG

Klingenbergstraße 26

D-32758 Detmold

Germany

www.weidmueller.com

Technical data

Approvals

ROHS	Conform
------	---------

Dimensions and weights

Net weight	28 g
------------	------

Temperatures

Storage temperature	Operating temperature	-25 °C...70 °C
Installation temperature		

Environmental Product Compliance

RoHS Compliance Status	Compliant with exemption
RoHS Exemption (if applicable/known)	6c
REACH SVHC	Lead 7439-92-1
SCIP	67cf1078-beca-4687-860b-dc475a6ec24a

General data

Description of article	ST-ST coupler	Colour	Light Grey
Housing main material	PA 66, UL 94: V-0	Type of mounting	TS 35
Protection degree	IP20	Plugging cycles	750
Composition	1 TE pitch dimension acc. to DIN 43880. insta- compatible Installation flange with mounting frame	Insertion loss	<0.15 dB
Connection 1	ST	Connection 2	ST

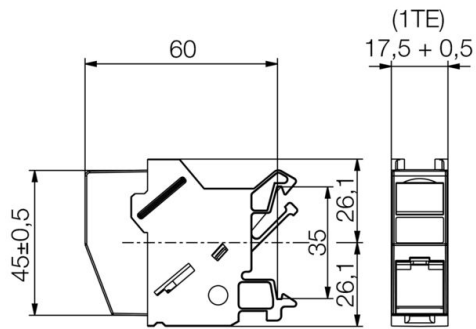
General standards

Connector standard	IEC 61754-2
--------------------	-------------

Classifications

ETIM 8.0	EC000313	ETIM 9.0	EC000313
ETIM 10.0	EC000313	ECLASS 14.0	27-44-03-20
ECLASS 15.0	27-44-03-20		

Dimensioned drawing



Accessories

Outlet marker



Markers for the labelling panel of terminal rail outlets from Weidmüller.

The benefits for you:

- white
- blank
- on labelling sheet

General ordering data

Type	IE-DM	Version	
Order No.	8813500000		
GTIN (EAN)	4032248513345		
Qty.	50 ST		