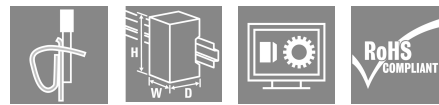


## RCMKITZ 230VAC 4CO LED

**Weidmüller Interface GmbH & Co. KG**  
 Klingenbergstraße 26  
 D-32758 Detmold  
 Germany

[www.weidmueller.com](http://www.weidmueller.com)

### Product image



Similar to illustration

### General ordering data

Version	RIDERSERIES RCM, Relay module, Number of contacts: 4, CO contact with test button AgNi, Rated control voltage: 230 V AC, Continuous current: 6 A, Tension-clamp connection, Test button available: Yes
Order No.	<a href="#">8798760000</a>
Type	RCMKITZ 230VAC 4CO LED
GTIN (EAN)	4032248494385
Qty.	10 items
Delivery status	This article will no longer be available in the future.
Available until	2025-09-30T00:00:00+02:00
Alternative product	<a href="#">CRMKIT P 230VAC 4CO L/PB</a>

## RCMKITZ 230VAC 4CO LED

**Weidmüller Interface GmbH & Co. KG**  
 Klingenbergstraße 26  
 D-32758 Detmold  
 Germany

www.weidmueller.com

## Technical data

### Approvals

Approvals



ROHS Conform

### Dimensions and weights

Depth	79 mm	Depth (inches)	3.1102 inch
Height	101 mm	Height (inches)	3.9764 inch
Width	27 mm	Width (inches)	1.063 inch
Net weight	118.5 g		

### Temperatures

Storage temperature	-40 °C...70 °C	Ambient temperature	-40 °C...70 °C
Operating temperature		Humidity	40 °C / 93 % rel. humidity, no condensation

### Environmental Product Compliance

RoHS Compliance Status	Compliant without exemption
REACH SVHC	No SVHC above 0.1 wt%

### Control side

Rated control voltage	230 V AC	Rated current AC	4.3 mA
Power rating	1.0 VA	Coil resistance	19465 Ω ± 15 %
Status indicator	red LED		

### Load side

Rated switching voltage	240 V AC	Continuous current	6 A
Max. switching frequency at rated load	0.1 Hz	Inrush current	12 A / 20 ms
AC switching capacity (resistive), max.	1500 VA	DC switching capacity (resistive), max.	144 W @ 24 V
Switch-on delay	≤ 15 ms	Switch-off delay	≤ 10 ms
Contact type	4 CO contact with test button (AgNi)	Mechanical service life	AC coil 20 x 106 switching cycles, DC coil 30 x 106 switching cycles
Min. switching power	1 mA @ 24 V, 10 mA @ 12 V, 100 mA @ 5 V		

### General data

Mounting rail	TS 35	Test button available	Yes
Version of test button	lockable	Mechanical switch position indicator	Yes
Colour	black	UL 94 flammability rating	V-2

### Insulation coordination

Rated voltage	240 V	Pollution severity	2
Surge voltage category	III	Creepage and clearance distance input - ≥ 4 mm output	
Dielectric strength, Input/Output	2.5 kVeff / 1 Min.	Dielectric strength of open contact	1.2 kVeff / 1 min.
Impulse withstand voltage	5 kV (1.2/50 μs)	Protection degree	IP20

## RCMKITZ 230VAC 4CO LED

**Weidmüller Interface GmbH & Co. KG**  
 Klingenbergstraße 26  
 D-32758 Detmold  
 Germany

www.weidmueller.com

## Technical data

### Further details of approvals / standards

Relevant relay	<a href="#">RCM570730</a>	Relevant base	<a href="#">SCM4CO Z</a>
Certificate no. (CSA) relay	249409-2426937	Certificate no. (cURus) relay	E522350
Certificate no. (cURus) base	E223759		

### Connection data

Wire connection method	Tension-clamp connection	Clamping range, rated connection	1.5 mm <sup>2</sup>
Clamping range, min.	0.5 mm <sup>2</sup>	Clamping range, max.	1.5 mm <sup>2</sup>
Blade size	0.4 x 2.5 mm		

### Classifications

ETIM 8.0	EC001437	ETIM 9.0	EC001437
ETIM 10.0	EC001437	ECLASS 14.0	27-37-16-01
ECLASS 15.0	27-37-16-01		

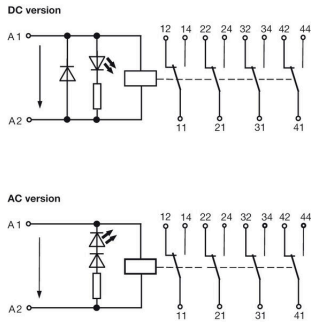
**RCMKITZ 230VAC 4CO LED**

**Weidmüller Interface GmbH & Co. KG**  
 Klingenbergstraße 26  
 D-32758 Detmold  
 Germany

www.weidmueller.com

**Drawings**

**Wiring diagram**

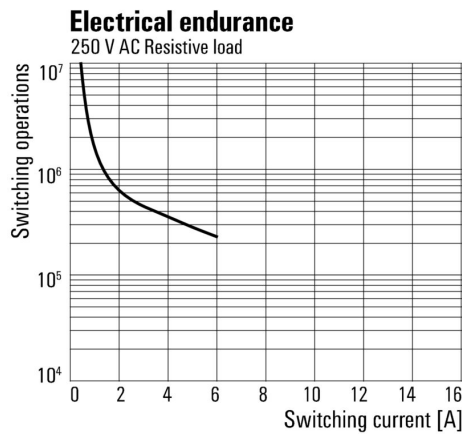


**Graph**



DC load limit curve Resistive load

**Graph**



Electrical service life 250 V AC resistive load

**RCMKITZ 230VAC 4CO LED**

**Weidmüller Interface GmbH & Co. KG**  
 Klingenbergstraße 26  
 D-32758 Detmold  
 Germany

**Drawings**

www.weidmueller.com

