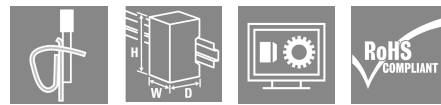
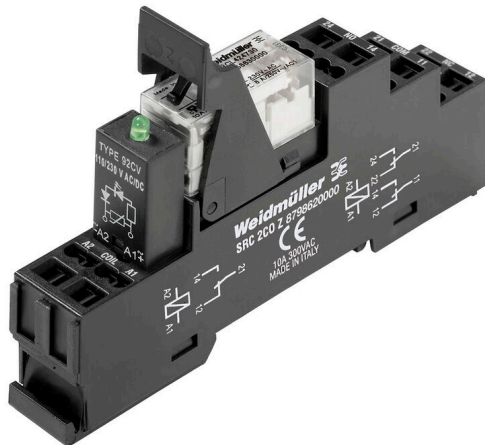


## RCLKITZ 24VDC 1CO LED

**Weidmüller Interface GmbH & Co. KG**  
 Klingenbergstraße 26  
 D-32758 Detmold  
 Germany

[www.weidmueller.com](http://www.weidmueller.com)

### Product image



### General ordering data

Version	RIDERSERIES RCL, Relay module, Number of contacts: 1, CO contact AgNi, Rated control voltage: 24 V DC, Continuous current: 12 A, Tension-clamp connection, Test button available: No
Order No.	<a href="#">8798620000</a>
Type	RCLKITZ 24VDC 1CO LED
GTIN (EAN)	4032248494248
Qty.	10 items
Delivery status	This article will no longer be available in the future.
Available until	2025-09-30T00:00:00+02:00
Alternative product	<a href="#">CRIKIT P 24VDC 1CO L/D</a>

## RCLKITZ 24VDC 1CO LED

Weidmüller Interface GmbH & Co. KG  
Klingenbergstraße 26  
D-32758 Detmold  
Germany

www.weidmueller.com

## Technical data

## Approvals

Approvals



ROHS Conform

## Dimensions and weights

Depth	69 mm	Depth (inches)	2.7165 inch
Height	97 mm	Height (inches)	3.8189 inch
Width	16 mm	Width (inches)	0.6299 inch
Net weight	55.18 g		

## Temperatures

Storage temperature	-40 °C...70 °C	Ambient temperature	-40 °C...70 °C
Operating temperature		Humidity	40 °C / 93 % rel. humidity, no condensation

## Environmental Product Compliance

RoHS Compliance Status	Compliant with exemption
RoHS Exemption (if applicable/known)	7a, 7cl
REACH SVHC	Lead 7439-92-1, 4,4'-isopropylidenediphenol 80-05-7
SCIP	d4546fc1-6731-43f6-9c40-ce6f3265588a

## Control side

Rated control voltage	24 V DC	Rated current DC	16.7 mA
Power rating	500 mW	Coil resistance	1440 Ω ± 10 %
Status indicator	Green LED	Protective circuit	Free-wheeling diode

## Load side

Rated switching voltage	250 V AC	Continuous current	16 A
Inrush current	30 A / 4 s	AC switching capacity (resistive), max.	4000 VA
DC switching capacity (resistive), max.	384 W @ 24 V	Switch-on delay	≤ 7 ms
Switch-off delay	≤ 4 ms	Contact type	1 CO contact (AgNi)
Mechanical service life	DC coil 30 x 106 switching cycles	Min. switching power	1 mA @ 24 V, 10 mA @ 12 V, 100 mA @ 5 V

## General data

Mounting rail	TS 35	Test button available	No
Mechanical switch position indicator	No	Colour	black
UL 94 flammability rating	V-2		

## Insulation coordination

Rated voltage	250 V	Pollution severity	2
Surge voltage category	III	Insulating material group	C
Creepage and clearance distance input - ≥ 10 mm output		Dielectric strength, Input/Output	5 kVeff / 1min
Protection degree	IP20		

## RCLKITZ 24VDC 1CO LED

**Weidmüller Interface GmbH & Co. KG**  
 Klingenbergstraße 26  
 D-32758 Detmold  
 Germany

www.weidmueller.com

## Technical data

### Further details of approvals / standards

Relevant relay	<a href="#">RCL314024</a>	Relevant base	<a href="#">SRC 2CO Z</a>
Certificate no. (CSA) relay	249409-2426937	Certificate no. (cURus) relay	E522350
Certificate no. (cURus) base	E223759		

### Connection data

Wire connection method	Tension-clamp connection	Clamping range, rated connection	1.5 mm <sup>2</sup>
Clamping range, min.	0.5 mm <sup>2</sup>	Clamping range, max.	1.5 mm <sup>2</sup>
Blade size	0.4 x 2.5 mm		

### Classifications

ETIM 8.0	EC001437	ETIM 9.0	EC001437
ETIM 10.0	EC001437	ECLASS 14.0	27-37-16-01
ECLASS 15.0	27-37-16-01		

**RCLKITZ 24VDC 1CO LED**

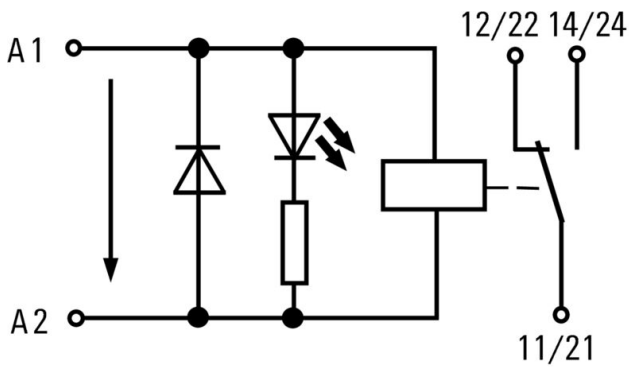
**Weidmüller Interface GmbH & Co. KG**  
 Klingenbergstraße 26  
 D-32758 Detmold  
 Germany

www.weidmueller.com

**Drawings**

**Wiring diagram**

**DC-Version**

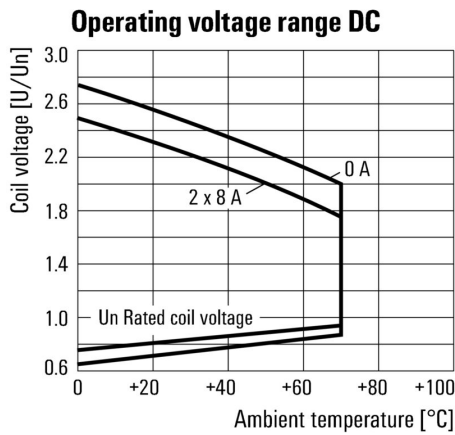


**Graph**



DC load limit curve Resistive load

**Graph**



DC operational voltage range