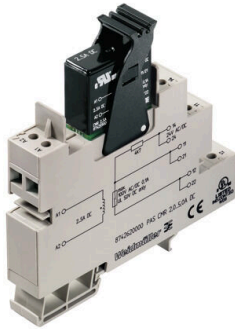


PAS CMR 0,5...2,5 A DC

Weidmüller Interface GmbH & Co. KG
 Klingenbergstraße 26
 D-32758 Detmold
 Germany

www.weidmueller.com

Product image, Similar to illustration



The PLUGCONTROL PAS CMRs present a simple, cost-effective solution for monitoring DC currents up to 10 A. The monitoring relay (REED contact) comes attached to a standard base so that it can be mounted on a TS35 DIN rail. Current monitoring of valves, servo-controls and DC motors are typical applications for these modules.

General ordering data

Version	Current monitoring, 0.5...2.5 A DC, 1, Screw connection
Order No.	8742610000
Type	PAS CMR 0,5...2,5 A DC
GTIN (EAN)	4032248413928
Qty.	10 items

PAS CMR 0,5...2,5 A DC

Weidmüller Interface GmbH & Co. KG
 Klingenbergstraße 26
 D-32758 Detmold
 Germany

www.weidmueller.com

Technical data

Approvals

Approvals



ROHS Conform

UL File Number Search [UL Website](#)

Certificate no. (cULus) E141197

Dimensions and weights

Depth	95 mm	Depth (inches)	3.7401 inch
Height	16 mm	Height (inches)	0.6299 inch
Width	15.3 mm	Width (inches)	0.6024 inch
Length	92 mm	Length (inches)	3.622 inch
Net weight	69.6 g		

Temperatures

Storage temperature	-40 °C...85 °C	Operating temperature	-20 °C...60 °C
Humidity at operating temperature	0...95 % (no condensation)	Humidity	5-95% relative humidity, Tu = 40°C, without condensation

Probability of failure

SIL in compliance with IEC 61508 None

Environmental Product Compliance

RoHS Compliance Status Compliant
 REACH SVHC No SVHC above 0.1 wt%

General data

Protection degree	IP20	Mounting rail	TS 35
Temperature coefficient	350 ppm/K	Nominal power consumption	1.5 VA
Configuration	none		

Insulation coordination

Impulse withstand voltage	6 kV	EMC standards	EN 55011, EN 61000-6-1, 2, 3, 4
Surge voltage category	III	Pollution severity	2
Galvanic isolation	between input / output / supply / relay	Insulation voltage	4 kVeff / 1 min.
Rated voltage	300 V		

Input

Making current threshold	≤ 500 mA	Secure off	≤ 50 mA
Input current	0.5...2.5 A DC	Input resistance, current	<50 mΩ
Pulse duration	min. 1 ms	Max. current	7.5 A for 10 s

PAS CMR 0,5...2,5 A DC

Weidmüller Interface GmbH & Co. KG
 Klingenbergstraße 26
 D-32758 Detmold
 Germany

www.weidmueller.com

Technical data

Output

Number of outputs	1	Continuous current	100 mA
Contact material	RH/Rd (Reed contact)*	Max. switching voltage, AC	250 V
Switching voltage AC, min.	1 V	Max. switching voltage, DC	100 V
Switching voltage DC, min.	1 V	Contact assembly	1 NO contact
Max. switching frequency	20 Hz	Temperature coefficient	350 ppm/K
Switching current	2 A		

Connection data

Type of connection	Screw connection	Clamping range, rated connection	1.5 mm ²
Clamping range, min.	2.5 mm ²	Clamping range, max.	2.5 mm ²

Classifications

ETIM 8.0	EC002654	ETIM 9.0	EC002654
ETIM 10.0	EC002654	ECLASS 14.0	27-21-01-22
ECLASS 15.0	27-21-01-22		

Tender specification sheets

Long specification	<p>Limit-value monitoring of DC currents up to 2.5 A with switching output limit-value monitoring component for measuring DC currents 0.5... 2.5 A with switching output. The monitoring unit is designed so that it can be plugged onto the mounting base.</p> <p>Pluggable unit on base, for mounting on TS35 DIN rail Dimensions: L/W/H 92/15.3/ 95 mm</p> <p>Screw connection / Nominal cross-section 2.5 mm²</p> <p>Protection degree: IP 20 Input 0.5...2.5 A DC / Reed relay coil</p> <p>Switch-on threshold < 500 mA Switch-off threshold < 50 mA</p> <p>Output 1 NO / Reed contact</p> <p>Switching current max 100 mA AC/DC Switching voltage 100 V AC / 50 V DC</p> <p>Ambient temperature range 0 °C...+55 °C Secure isolation EN 50178, 2-way isolation up to 6 kV</p> <p>Test voltage 4</p>	Short specification	<p>Limit-value monitoring of DC currents up to 2.5 A with switching output limit-value monitoring component for measuring DC currents 0.5... 2.5 A with switching output. The monitoring unit is designed so that it can be plugged onto the mounting base.</p>
--------------------	--	---------------------	---

Technical data

kVeff / 1 min. input
against output
Rated
voltage 300 V AC/DC at
overvoltage category III
and pollution degree 2
Approvals cULus
Type
PAS CMR 0.5...2.5 A DC

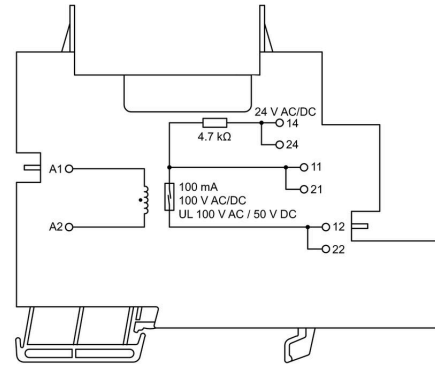
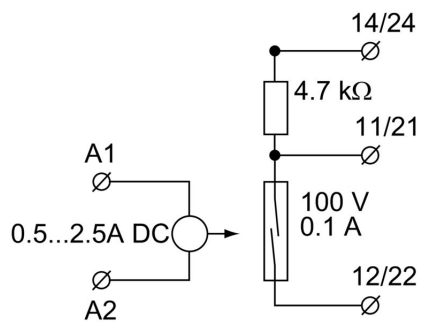
PAS CMR 0,5...2,5 A DC

Weidmüller Interface GmbH & Co. KG
Klingenbergstraße 26
D-32758 Detmold
Germany

Drawings

www.weidmueller.com

Electric symbol



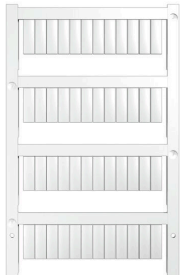
PAS CMR 0,5...2,5 A DC

Weidmüller Interface GmbH & Co. KG
 Klingenbergstraße 26
 D-32758 Detmold
 Germany

Accessories

www.weidmueller.com

Blank



WS markers are the perfect match for the W-series connectors. Thanks to their system compatibility, the WS tags can also be used with the I-series and the Z-series. The large marking surfaces do not only permit long character strings but also multi-line text. WS markers are ideal for labels with long, customised character strings. Thanks to the proven MultiCard format, printing with PrintJet CONNECT oder/or Plotter is possible.

- Can be fitted in strips or individually
- Markers in proven MultiCard format

For custom printing: Please send us a file of our labeling software M-Print PRO or M-Print PRO Online (without installation) for your labeling specifications.

General ordering data

Type	WS 15/5 MC NE WS	Version
Order No.	1609880000	WS, Terminal marker, 15 x 5 mm, Pitch in mm (P): 5.00 Weidmueller,
GTIN (EAN)	4008190203504	Allen-Bradley, white
Qty.	480 ST	
Type	WS 10/5 MC NE WS	Version
Order No.	1635000000	WS, Terminal marker, 10 x 5 mm, Pitch in mm (P): 5.00 Weidmueller,
GTIN (EAN)	4008190261948	Allen-Bradley, white
Qty.	720 ST	

PLUGSERIES

General ordering data

Type	ZQV 2.5N 1/4-2 SW	Version
Order No.	1784270000	PLUGSERIES, Cross-connector
GTIN (EAN)	4032248214679	
Qty.	60 ST	
Type	ZQV 2.5N 1/4-2 BL	Version
Order No.	1784290000	PLUGSERIES, Cross-connector
GTIN (EAN)	4032248216383	
Qty.	60 ST	
Type	ZQV 2.5N 1/4-2 RT	Version
Order No.	1784280000	PLUGSERIES, Cross-connector
GTIN (EAN)	4032248214686	
Qty.	60 ST	

PAS CMR 0,5...2,5 A DC

Weidmüller Interface GmbH & Co. KG
Klingenbergstraße 26
D-32758 Detmold
Germany

www.weidmueller.com

Accessories

Type	PRC HALTEBUEGEL	Version	
Order No.	853670000	PLUGSERIES, Retaining clip	
GTIN (EAN)	4032248171965		
Qty.	100 ST		