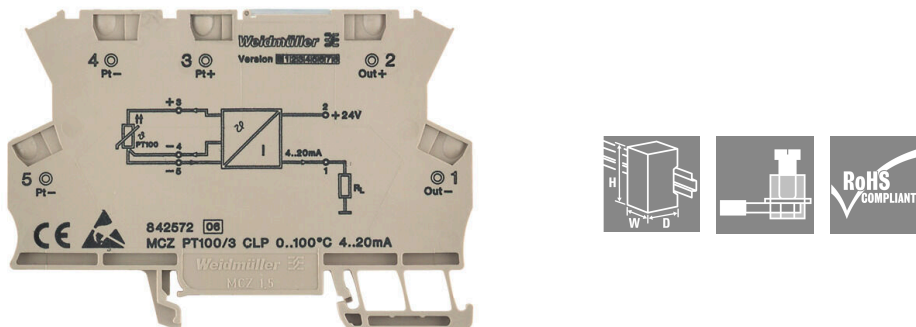


C030-03 MCZ RTD CLP

Weidmüller Interface GmbH & Co. KG
 Klingenbergstraße 26
 D-32758 Detmold
 Germany

www.weidmueller.com

Product image, Similar to illustration



MCZ: The smallest solution

- The smallest analogue signal converter in terminal block format on the market
- Space-saving conversion of analogue signals in the control cabinet thanks to the slim, 6 mm wide module width
- Simple wiring with plug-in cross-connectors

General ordering data

Version	Temperature converter, 2-/3-wire connection technology, Output current loop powered, Tension-clamp connection, Output : 4-20 mA
Order No.	8705990000
Type	C030-03 MCZ RTD CLP
GTIN (EAN)	4032248376582
Qty.	10 items

C030-03 MCZ RTD CLP

Weidmüller Interface GmbH & Co. KG
Klingenbergstraße 26
D-32758 Detmold
Germany

www.weidmueller.com

Technical data

Approvals

Approvals



ROHS Conform

Dimensions and weights

Depth	63.2 mm	Depth (inches)	2.4882 inch
Net weight	27.8 g		

Temperatures

Storage temperature		Operating temperature	-20 °C...70 °C
Humidity at operating temperature	0...95 % (no condensation)		

Probability of failure

SIL in compliance with IEC 61508 None

Environmental Product Compliance

RoHS Compliance Status	Compliant with exemption		
RoHS Exemption (if applicable/known)	6c, 7a, 7c1		
REACH SVHC	Lead 7439-92-1		
SCIP	35d83707-6a3b-45b5-b9f8-6ba8184c863e		

Input

Sensor	PT100 (3 wire)	Number inputs	1
Type	PT100 2-/3-wire	Sensor supply	0.8 mA / 9...30 V DC
Temperature input range	0...160 °C		

Output

Number of outputs	1	Load impedance current	≤ 600 Ω
Output current	4...20 mA (current loop) at 9...30V DC		

General data

Accuracy	± 0.2 % of measuring range	Protection degree	IP20
Supply voltage	24...30 V DC, Output loop powered	Long-term drift	0
Step response time	10 ms	Mounting rail	TS 35
Temperature coefficient	max. 250 ppm/K	Nominal power consumption	2 VA
Configuration	none	Operating altitude	≤ 2000 m

Insulation coordination

EMC standards	EN 61000-6	Surge voltage category	II
Pollution severity	2	Galvanic isolation	Without isolation

C030-03 MCZ RTD CLP

Weidmüller Interface GmbH & Co. KG

Klingenbergstraße 26
D-32758 Detmold
Germany

www.weidmueller.com

Technical data

Connection data

Type of connection	Tension-clamp connection	Stripping length, rated connection	5 mm
Clamping range, rated connection	1.5 mm ²	Clamping range, min.	0.5 mm ²
Clamping range, max.	1.5 mm ²	Wire connection cross section AWG, min.	AWG 26
Wire connection cross section AWG, max.	AWG 16	Wire cross-section, solid, min.	0.5 mm ²
Wire cross-section, solid, max.	1.5 mm ²	Wire cross-section, solid, min. (AWG)	AWG 26
Wire cross-section, solid, max. (AWG)	AWG 16	Wire connection cross section, finely stranded, min.	0.5 mm ²
Wire connection cross section, finely stranded, max.	1.5 mm ²	Wire cross-section, finely stranded, min. (AWG)	AWG 26
Wire cross-section, finely stranded, max. (AWG)	AWG 16	Wire connection cross-section, finely stranded with wire-end ferrules DIN 46228/4, min.	0.5 mm ²
Wire connection cross-section, finely stranded with wire-end ferrules DIN 46228/4, max.	1.5 mm ²	Conductor cross-section, flexible, AEH (DIN 46228-1), min.	0.5 mm ²
Conductor cross-section, flexible, AEH (DIN 46228-1), max.	1.5 mm ²		

Classifications

ETIM 8.0	EC002919	ETIM 9.0	EC002919
ETIM 10.0	EC002919	ECLASS 14.0	27-21-01-29
ECLASS 15.0	27-21-01-29		

C030-03 MCZ RTD CLP

Weidmüller Interface GmbH & Co. KG
Klingenbergstraße 26
D-32758 Detmold
Germany

Drawings

www.weidmueller.com

