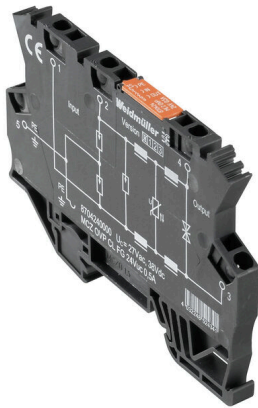


MCZ OVP CL FG 24VUC 0,5A

Weidmüller Interface GmbH & Co. KG
 Klingenbergstraße 26
 D-32758 Detmold
 Germany

www.weidmueller.com



- Slimline overvoltage protection terminal with tension clamp connection
- 6 mm Slimline fine overvoltage protection
- fast wiring thanks to TS contact and tension clamp connections
- can be cross-connected

General ordering data

| | |
|------------|---|
| Version | Surge protection for instrumentation and control, Surge protection for measurement and control |
| Order No. | 8704240000 |
| Type | MCZ OVP CL FG 24VUC 0,5A |
| GTIN (EAN) | 403224852434 1 |
| Qty. | 10 items |

MCZ OVP CL FG 24VUC 0,5A

Weidmüller Interface GmbH & Co. KG
Klingenbergstraße 26
D-32758 Detmold
Germany

www.weidmueller.com

Technical data

Approvals

Approvals



ROHS Conform

Dimensions and weights

| | | | |
|------------|---------|-----------------|-------------|
| Depth | 63.5 mm | Depth (inches) | 2.5 inch |
| Height | 91 mm | Height (inches) | 3.5827 inch |
| Width | 6 mm | Width (inches) | 0.2362 inch |
| Net weight | 24.29 g | | |

Temperatures

| | | | |
|---------------------|----------------|-----------------------|-------------|
| Storage temperature | -40 °C...85 °C | Operating temperature | -40 °C...60 |
|---------------------|----------------|-----------------------|-------------|

Environmental Product Compliance

| | |
|--------------------------------------|--------------------------------------|
| RoHS Compliance Status | Compliant with exemption |
| RoHS Exemption (if applicable/known) | 7a |
| REACH SVHC | Lead 7439-92-1 |
| SCIP | c9db83e7-2b25-44e1-8d26-da64d426373f |

General data

| | | | |
|---------------|---------------------------------------|---------------------------|---|
| Segment | Measurement - Monitoring - Setting | Version | Surge protection for measurement and control |
| Design | Terminal | UL 94 flammability rating | V-0 |
| Colour | black | Protection degree | IP20 |
| Mounting rail | TS 35 | Height with TS 35 | 63.5 mm |

Insulation coordination acc. to EN 50178

| | | | |
|------------------------|-----|--------------------|---|
| Surge voltage category | III | Pollution severity | 2 |
|------------------------|-----|--------------------|---|

Rated data IEC / EN

| | | | |
|---|----------------------------|---|----------------------------|
| Discharge current, I _{imp} (10/350 μs) | 1 kA | Rated voltage (AC) | 24 V |
| Rated voltage (DC), max. | 38 V | Rated voltage (DC) | 24 V |
| Rated current I _N | 0.5 A | Protection level on output side Wire-wire | 40 V 1 kV/μs, typically |
| Protection level on output side Wire-PE | 40 V 1 kV/μs, typically | Protection level on output side Wire-wire | 65 V 8/20 μs, typically |
| Protection level on output side Wire-PE | 65 V 8/20 μs, typically | Voltage type | AC/DC |
| Fuse protection | 0.5 A | Response time / fallback time | ≤ 100 ps |
| Operating voltage | 38 V | Volume resistance | 2.50 Ω |
| Standards | HART-compatible | Operating current, I _{max} | 0.5 A |
| Lightning test current I _{imp} (10/350 μs) | 1 kA | Discharge current, max. (8/20 μs) | 5 kA |
| Requirements category acc. to IEC 61643-21 | D1 | Limiting frequency (-3 dB) at load resistance | 500 kHz 240 Ω |
| Max. continuous voltage, U _c (AC) | 28 V | Inductance L and L1 | 75 μH |

MCZ OVP CL FG 24VUC 0,5A

Weidmüller Interface GmbH & Co. KG
 Klingenbergstraße 26
 D-32758 Detmold
 Germany

www.weidmueller.com

Technical data

Connection data

| | | | |
|---|---------------------|---|--------------------------|
| Stripping length | 8 mm | Cross-section | 1.5 mm ² |
| Wire connection method | Spring connection | Type of connection | Tension-clamp connection |
| Stripping length, rated connection | 8 mm | Clamping range, rated connection | 1.5 mm ² |
| Clamping range, min. | 0.5 mm ² | Clamping range, max. | 1.5 mm ² |
| Wire connection cross section AWG, min. | AWG 26 | Wire connection cross section AWG, max. | AWG 16 |
| Wire cross-section, solid, min. | 0.5 mm ² | Wire cross-section, solid, max. | 1.5 mm ² |
| Wire cross-section, solid, min. (AWG) | AWG 26 | Wire cross-section, solid, max. (AWG) | AWG 16 |
| Wire connection cross section, finely stranded, min. | 0.5 mm ² | Wire connection cross section, finely stranded, max. | 1.5 mm ² |
| Wire cross-section, finely stranded, min. (AWG) | AWG 26 | Wire cross-section, finely stranded, max. (AWG) | AWG 16 |
| Wire connection cross-section, finely stranded with wire-end ferrules DIN 46228/4, min. | 0.5 mm ² | Wire connection cross-section, finely stranded with wire-end ferrules DIN 46228/4, max. | 1.5 mm ² |
| Conductor cross-section, flexible, AEH (DIN 46228-1), min. | 0.5 mm ² | Conductor cross-section, flexible, AEH (DIN 46228-1), max. | 1.5 mm ² |
| Blade size | 0.6 x 3.5 mm | | |

Electrical data

| | |
|--------------|-------|
| Voltage type | AC/DC |
|--------------|-------|

General data

| | | | |
|-------------------|------|--------|-------|
| Protection degree | IP20 | Colour | black |
|-------------------|------|--------|-------|

Classifications

| | | | |
|-------------|-------------|-------------|-------------|
| ETIM 8.0 | EC000943 | ETIM 9.0 | EC000943 |
| ETIM 10.0 | EC000943 | ECLASS 14.0 | 27-17-15-01 |
| ECLASS 15.0 | 27-17-15-01 | | |

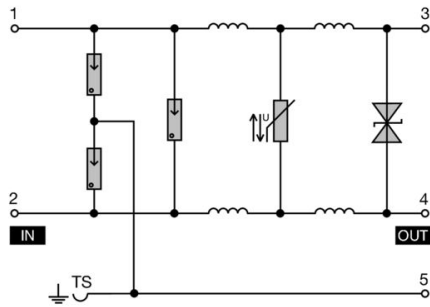
MCZ OVP CL FG 24VUC 0,5A

Weidmüller Interface GmbH & Co. KG
Klingenbergstraße 26
D-32758 Detmold
Germany

www.weidmueller.com

Drawings

Electric symbol



Circuit diagram