

RIM 3 24/60VUC

Weidmüller Interface GmbH & Co. KG
Klingenbergstraße 26
D-32758 Detmold
Germany

www.weidmueller.com

Product image

Similar to illustration

General ordering data

| | |
|---------------------|--|
| Version | RIDERSERIES RCL, LED module, Rated control voltage: 24...60 V UC, Plug-in connection |
| Order No. | 8691020000 |
| Type | RIM 3 24/60VUC |
| GTIN (EAN) | 4032248361700 |
| Qty. | 10 items |
| Delivery status | This article will no longer be available in the future. |
| Available until | 2026-03-30T00:00:00+02:00 |
| Alternative product | CXX L 62R |

RIM 3 24/60VUC

Weidmüller Interface GmbH & Co. KG
 Klingenbergstraße 26
 D-32758 Detmold
 Germany

www.weidmueller.com

Technical data

Approvals

Approvals



ROHS Conform

UL File Number Search [UL Website](#)

Certificate No. (cURus) E223759

Dimensions and weights

| | | | |
|------------|---------|-----------------|-------------|
| Depth | 34.5 mm | Depth (inches) | 1.3583 inch |
| Height | 9 mm | Height (inches) | 0.3543 inch |
| Width | 12.5 mm | Width (inches) | 0.4921 inch |
| Net weight | 2.7 g | | |

Temperatures

| | | | |
|---------------------|--|-----------------------|----------------|
| Storage temperature | -40 °C...70 °C | Operating temperature | -40 °C...70 °C |
| Humidity | 40 °C / 93 % rel. humidity, no condensation | | |

Environmental Product Compliance

| | |
|------------------------|-----------------------------|
| RoHS Compliance Status | Compliant without exemption |
| REACH SVHC | No SVHC above 0.1 wt% |

Rated data UL

Certificate No. (cURus) E223759

Control side

| | | | |
|-----------------------|--------------|------------------|---------|
| Rated control voltage | 24...60 V UC | Status indicator | red LED |
|-----------------------|--------------|------------------|---------|

General data

Colour black

Further details of approvals / standards

| | | | |
|-----------|-------|-------------------------|---------|
| Standards | UL508 | Certificate No. (cURus) | E223759 |
|-----------|-------|-------------------------|---------|

Connection data

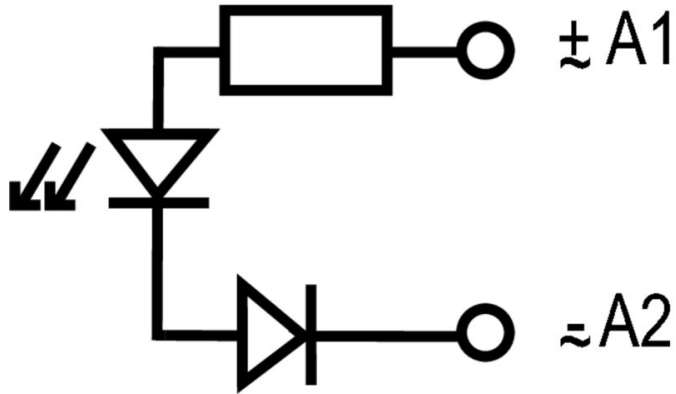
Wire connection method Plug-in connection

Classifications

| | | | |
|-------------|-------------|-------------|-------------|
| ETIM 8.0 | EC002586 | ETIM 9.0 | EC002586 |
| ETIM 10.0 | EC002586 | ECLASS 14.0 | 27-37-16-92 |
| ECLASS 15.0 | 27-37-16-92 | | |

Drawings

Wiring diagram



Dimensional drawing

