

**RCM270L48**
**Weidmüller Interface GmbH & Co. KG**

 Klingenbergstraße 26  
 D-32758 Detmold  
 Germany

[www.weidmueller.com](http://www.weidmueller.com)
**Product image**


Similar to illustration

Individual relays within the RIDERSERIES RCM

- 2 CO contacts
- Optional AC or DC coils
- With test button and integrated status LED

**General ordering data**

Version	RIDERSERIES RCM, Relay, Number of contacts: 2, CO contact AgNi, Rated control voltage: 48 V DC, Continuous current: 12 A, Plug-in connection, Test button available: Yes
Order No.	<a href="#">8689890000</a>
Type	RCM270L48
GTIN (EAN)	4032248360567
Qty.	10 items
Delivery status	This article will no longer be available in the future.
Available until	2026-06-30T00:00:00+02:00
Alternative product	<a href="#">CRM20048T</a>

Creation date 18.02.2026 08:47:28 MEZ

Catalogue status / Drawings

## RCM270L48

Weidmüller Interface GmbH &amp; Co. KG

Klingenbergstraße 26

D-32758 Detmold

Germany

www.weidmueller.com

## Technical data

## Approvals

Approvals



ROHS Conform

UL File Number Search [UL Website](#)

Certificate No. (cURus) E522350

## Dimensions and weights

Depth	29 mm	Depth (inches)	1.1417 inch
Height	28 mm	Height (inches)	1.1024 inch
Width	22.5 mm	Width (inches)	0.8858 inch
Net weight	28 g		

## Temperatures

Storage temperature	-40 °C...85 °C	Ambient temperature	-40 °C...70 °C
Operating temperature		Humidity	40 °C / 93 % rel. humidity, no condensation

## Environmental Product Compliance

RoHS Compliance Status	Compliant without exemption
REACH SVHC	No SVHC above 0.1 wt%

## Rated data UL

Certificate No. (cURus)	E522350
-------------------------	---------

## Control side

Rated control voltage	48 V DC	Rated current DC	16.4 mA
Power rating	788 mW	Coil resistance	3072 Ω ± 10 %
Status indicator	red LED		

## Load side

Rated switching voltage	240 V AC	Continuous current	12 A
Max. switching frequency at rated load	0.1 Hz	Max. switching voltage, AC	250 V
Inrush current	24 A / 20 ms	AC switching capacity (resistive), max.	3000 VA
DC switching capacity (resistive), max.	288 W @ 24 V	Switch-on delay	≤ 15 ms
Switch-off delay	≤ 10 ms	Contact type	2 CO contact (AgNi)
Mechanical service life	AC coil 20 x 106 switching cycles, DC coil 30 x 106 switching cycles	Min. switching power	1 mA @ 24 V, 10 mA @ 12 V, 100 mA @ 5 V

## General data

Test button available	Yes	Version of test button	Lockable test button, Momentary test button
Mechanical switch position indicator	Yes	Colour	Transparent
UL 94 flammability rating	V-2		

## RCM270L48

**Weidmüller Interface GmbH & Co. KG**  
 Klingenbergstraße 26  
 D-32758 Detmold  
 Germany

www.weidmueller.com

## Technical data

### Insulation coordination

Rated voltage	250 V	Pollution severity	2
Surge voltage category	III	Insulating material group	IIIa
Clearance and creepage distances for control side - load side	≥ 4 mm	Dielectric strength for control side - load side	2.5 kVeff / 1 Min.
Dielectric strength of neighbouring contacts	2.5 kVeff / 1 Min.	Dielectric strength of open contact	1.2 kVeff / 1 min.
Impulse withstand voltage	5 kV (1.2/50 µs)	Protection degree	IP20

### Further details of approvals / standards

Certificate No. (CSA)	249409-2426937	Certificate No. (VDE)	40011762
Certificate No. (cURus)	E522350		

### Connection data

Wire connection method	Plug-in connection
------------------------	--------------------

### Classifications

ETIM 8.0	EC001437	ETIM 9.0	EC001437
ETIM 10.0	EC001437	ECLASS 14.0	27-37-16-01
ECLASS 15.0	27-37-16-01		

Drawings

Wiring diagram



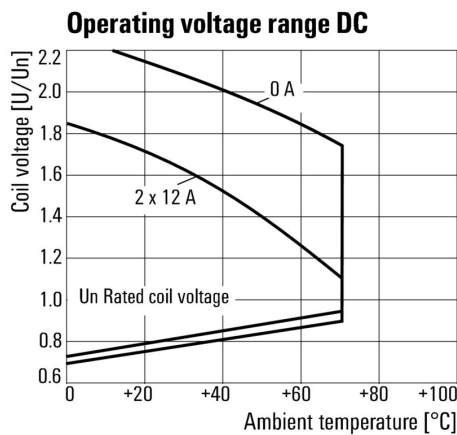
View of Pins from below

Graph



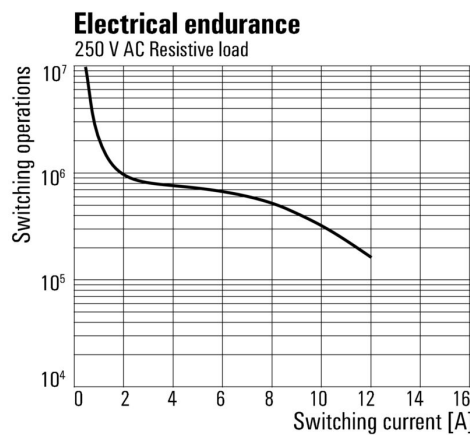
DC load limit curve Resistive load

Graph



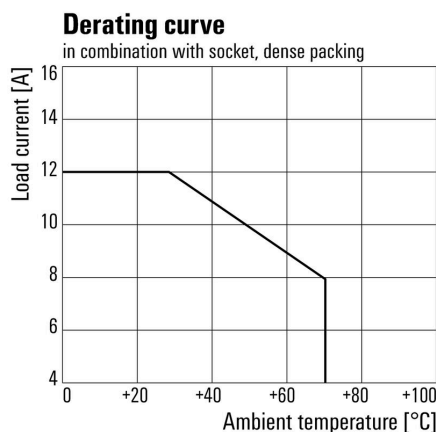
DC operational voltage range

Graph



Electrical service life 250 V AC resistive load

Graph



Derating curve Relay in combination with base

Dimensional drawing



Miscellaneous



Type codes

## RCM270L48

Weidmüller Interface GmbH &amp; Co. KG

Klingenbergstraße 26

D-32758 Detmold

Germany

www.weidmueller.com

## Accessories

## Sockets



relays sockets for RIDERSERIES RCM relays

- 2, 3 and 4 CO contacts
- Screw and PUSH IN connection
- Standard and low heights

## General ordering data

Type	SCM-I 2CO	Version
Order No.	<a href="#">8869400000</a>	RIDERSERIES RCM, Relay socket, Number of contacts: 2, CO contact,
GTIN (EAN)	4032248614264	Continuous current: 12 A, Screw connection
Qty.	10 ST	
Type	SCM-I 2CO P	Version
Order No.	<a href="#">8876220000</a>	RIDERSERIES RCM, Relay socket, Number of contacts: 2, CO contact,
GTIN (EAN)	4032248609031	Continuous current: 12 A, PUSH IN
Qty.	10 ST	
Type	SCM-I 4CO	Version
Order No.	<a href="#">8869420000</a>	RIDERSERIES RCM, Relay socket, Number of contacts: 4, CO contact,
GTIN (EAN)	4032248614271	Continuous current: 6 A, Screw connection
Qty.	10 ST	
Type	SCM-I 4CO N	Version
Order No.	<a href="#">8869390000</a>	RIDERSERIES RCM, Relay socket, Number of contacts: 4, CO contact,
GTIN (EAN)	4032248614257	Continuous current: 6 A, Screw connection
Qty.	10 ST	
Type	SCM-I 4CO P	Version
Order No.	<a href="#">8869430000</a>	RIDERSERIES RCM, Relay socket, Number of contacts: 4, CO contact,
GTIN (EAN)	4032248614288	Continuous current: 6 A, PUSH IN
Qty.	10 ST	

## Cross-connection for socket with PUSH IN connection



Cross-connection for the sockets in the RIDERSERIES RCM

## General ordering data

Type	SCM-I QV P	Version
Order No.	<a href="#">8870850000</a>	RIDERSERIES RCM, Cross-connector
GTIN (EAN)	4032248631698	
Qty.	10 ST	

## RCM270L48

**Weidmüller Interface GmbH & Co. KG**  
 Klingenbergstraße 26  
 D-32758 Detmold  
 Germany

www.weidmueller.com

## Accessories

### Cross-connection for socket with screw connection

Cross-connection for the sockets in the D-SERIES DRM.



### General ordering data

Type	SCM-I QV S	Version	
Order No.	<a href="#">1132080000</a>	RIDERSERIES RCM, Cross-connector	
GTIN (EAN)	4032248912193		
Qty.	10 ST		

### Protection module



Pluggable protective modules for the RIDERSERIES RCI / RCM relay sockets, with optional protective functions.

- Optional with free-wheeling diode, protective varistor, load resistor or RC filter

### General ordering data

Type	RIM-I 1 6/230V	Version	
Order No.	<a href="#">8869580000</a>	RIDERSERIES, Free-wheeling diode, Rated control voltage: 6...230 V	
GTIN (EAN)	4032248614523	DC, Plug-in connection	
Qty.	10 ST		

### LED / Free-wheel diode



Pluggable protective modules for the RIDERSERIES RCI / RCM relay sockets, with optional LED protective functions.

- Optional with green or red LED
- With free-wheeling diode
- For DC supply voltage

### General ordering data

Type	RIM-I 2 24/60VDC	Version	
Order No.	<a href="#">8869670000</a>	RIDERSERIES, LED module with freewheel diode, Rated control voltage: 24...60 V DC, Plug-in connection	
GTIN (EAN)	4032248614608		
Qty.	10 ST		

## RCM270L48

**Weidmüller Interface GmbH & Co. KG**  
 Klingenbergstraße 26  
 D-32758 Detmold  
 Germany

www.weidmueller.com

## Accessories

Type	RIM-I 2 24/60VDC GN	Version
Order No.	<a href="#">8869680000</a>	RIDERSERIES, LED module with freewheel diode, Rated control
GTIN (EAN)	4032248614615	voltage: 24...60 V DC, Plug-in connection
Qty.	10 ST	

## LED



Pluggable protective modules for the RIDERSERIES RCI / RCM relay sockets, with optional protective functions.

- Optional with green or red LED
- For UC supply voltage

## General ordering data

Type	RIM-I 3 24/60VUC	Version
Order No.	<a href="#">8869610000</a>	RIDERSERIES, LED module, Rated control voltage: 24...60 V UC, Plug-
GTIN (EAN)	4032248614554	in connection
Qty.	10 ST	
Type	RIM-I 3 24/60VUC GN	Version
Order No.	<a href="#">8869620000</a>	RIDERSERIES, LED module, Rated control voltage: 24...60 V UC, Plug-
GTIN (EAN)	4032248614561	in connection
Qty.	10 ST	

## Retaining clips



Retaining clip for RIDERSERIES RCM relays

- Metal and plastic retaining clip

## General ordering data

Type	SCM-I CLIP M	Version
Order No.	<a href="#">8869450000</a>	RIDERSERIES RCM, Retaining clip
GTIN (EAN)	4032248614301	
Qty.	10 ST	
Type	SCM-I CLIP P	Version
Order No.	<a href="#">8869440000</a>	RIDERSERIES RCM, Retaining clip
GTIN (EAN)	4032248614295	
Qty.	10 ST	
Type	SCM-I CLIP N	Version
Order No.	<a href="#">8875620000</a>	RIDERSERIES RCM, Retaining clip
GTIN (EAN)	4032248608577	
Qty.	10 ST	

## RCM270L48

Weidmüller Interface GmbH &amp; Co. KG

Klingenbergstraße 26

D-32758 Detmold

Germany

www.weidmueller.com

## Accessories

## ESG 6/15



Guaranteed long service life: ESG

The multi-colour and multi-format labels have a strong adhesive layer to ensure the best possible adhesion to the underlying surface. Double laminated polyester makes the basic material very thin and yet extremely tear-resistant.

Your benefits with MultiMark

- “Different materials for various requirements”
- Can be used with equipment from many manufacturers
- Device markers with a familiar design

## General ordering data

Type	ESG 6/15 MM WS	Version	
Order No.	<a href="#">2619940000</a>	ESG, Device markers, 6 x 15 mm, white	
GTIN (EAN)	4050118626148		
Qty.	3000 ST		

## ESG 6/17



Guaranteed long service life: ESG

The multi-colour and multi-format labels have a strong adhesive layer to ensure the best possible adhesion to the underlying surface. Double laminated polyester makes the basic material very thin and yet extremely tear-resistant.

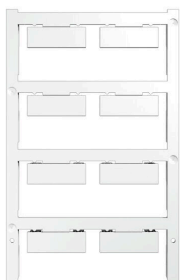
Your benefits with MultiMark

- “Different materials for various requirements”
- Can be used with equipment from many manufacturers
- Device markers with a familiar design

## General ordering data

Type	ESG 6/17 MM WS	Version	
Order No.	<a href="#">2005100000</a>	ESG, Device markers, 6 x 17 mm, white	
GTIN (EAN)	4050118390728		
Qty.	3000 ST		

## Blank



ESG is the tried-and-tested marker in MultiCard format for use on many well-known electrical devices. The result is high-quality device marking with a high-contrast appearance.

Various types are available for devices from manufacturers like Siemens, ABB, Beckhoff etc.

Advantages at a glance:

- Tags for universal usage, self-adhesive or clip-on tags, depending on type
- For aligned equipment, e.g. circuit breakers, we supply ESG markers for clipping onto tag rails
- Individual laser-quality printing according to specifications

For custom printing: Please send us a file of our labeling software M-Print PRO or M-Print PRO Online (without installation) for your labeling specifications.

## Accessories

### General ordering data

Type	ESG 9/26 SCM-I MC NE WS	Version	
Order No.	<a href="#">2558330000</a>	ESG, Device markers x 26 mm, PA 66, Colour: white, pluggable	
GTIN (EAN)	4050118569049		
Qty.	80 ST		

## RCM270L48

Weidmüller Interface GmbH &amp; Co. KG

Klingenbergstraße 26

D-32758 Detmold

Germany

## Counterpart

www.weidmueller.com

## Sockets



relays sockets for RIDERSERIES RCM relays

- 2, 3 and 4 CO contacts
- Screw and PUSH IN connection
- Standard and low heights

## General ordering data

Type	SCM-I 2CO	Version
Order No.	<a href="#">8869400000</a>	RIDERSERIES RCM, Relay socket, Number of contacts: 2, CO contact,
GTIN (EAN)	4032248614264	Continuous current: 12 A, Screw connection
Qty.	10 ST	
Type	SCM-I 2CO P	Version
Order No.	<a href="#">8876220000</a>	RIDERSERIES RCM, Relay socket, Number of contacts: 2, CO contact,
GTIN (EAN)	4032248609031	Continuous current: 12 A, PUSH IN
Qty.	10 ST	
Type	SCM-I 4CO	Version
Order No.	<a href="#">8869420000</a>	RIDERSERIES RCM, Relay socket, Number of contacts: 4, CO contact,
GTIN (EAN)	4032248614271	Continuous current: 6 A, Screw connection
Qty.	10 ST	
Type	SCM-I 4CO N	Version
Order No.	<a href="#">8869390000</a>	RIDERSERIES RCM, Relay socket, Number of contacts: 4, CO contact,
GTIN (EAN)	4032248614257	Continuous current: 6 A, Screw connection
Qty.	10 ST	
Type	SCM-I 4CO P	Version
Order No.	<a href="#">8869430000</a>	RIDERSERIES RCM, Relay socket, Number of contacts: 4, CO contact,
GTIN (EAN)	4032248614288	Continuous current: 6 A, PUSH IN
Qty.	10 ST	