

RCM270615

Weidmüller Interface GmbH & Co. KG

Klingenbergstraße 26

D-32758 Detmold

Germany

www.weidmueller.com

Product image



Similar to illustration

Individual relays within the RIDERSERIES RCM

- 2 CO contacts
- Optional AC or DC coils
- With test button

General ordering data

| | |
|---------------------|---|
| Version | RIDERSERIES RCM, Relay, Number of contacts: 2, CO contact AgNi, Rated control voltage: 115 V AC, Continuous current: 12 A, Plug-in connection, Test button available: Yes |
| Order No. | 8689800000 |
| Type | RCM270615 |
| GTIN (EAN) | 4032248360475 |
| Qty. | 10 items |
| Delivery status | This article will no longer be available in the future. |
| Available until | 2026-06-30T00:00:00+02:00 |
| Alternative product | CRM20615T |

Creation date 17.02.2026 07:01:58 MEZ

Catalogue status / Drawings

RCM270615

Weidmüller Interface GmbH & Co. KG

Klingenbergstraße 26

D-32758 Detmold

Germany

www.weidmueller.com

Technical data

Approvals

Approvals



ROHS Conform

UL File Number Search [UL Website](#)

Certificate No. (cURus) E522350

Dimensions and weights

| | | | |
|------------|---------|-----------------|-------------|
| Depth | 29 mm | Depth (inches) | 1.1417 inch |
| Height | 28 mm | Height (inches) | 1.1024 inch |
| Width | 22.5 mm | Width (inches) | 0.8858 inch |
| Net weight | 24.55 g | | |

Temperatures

| | | | |
|-----------------------|----------------|---------------------|--|
| Storage temperature | -40 °C...85 °C | Ambient temperature | -40 °C...70 °C |
| Operating temperature | | Humidity | 40 °C / 93 % rel. humidity, no condensation |

Environmental Product Compliance

| | |
|------------------------|-----------------------------|
| RoHS Compliance Status | Compliant without exemption |
| REACH SVHC | No SVHC above 0.1 wt% |

Rated data UL

Certificate No. (cURus) E522350

Control side

| | | | |
|-----------------------|----------|------------------|---------------|
| Rated control voltage | 115 V AC | Rated current AC | 8.7 mA |
| Power rating | 1000 mVA | Coil resistance | 4845 Ω ± 12 % |
| Status indicator | No | | |

Load side

| | | | |
|---|--|---|--|
| Rated switching voltage | 240 V AC | Continuous current | 12 A |
| Max. switching frequency at rated load | 0.1 Hz | Max. switching voltage, AC | 250 V |
| Inrush current | 24 A / 20 ms | AC switching capacity (resistive), max. | 3000 VA |
| DC switching capacity (resistive), max. | 288 W @ 24 V | Switch-on delay | ≤ 15 ms |
| Switch-off delay | ≤ 10 ms | Contact type | 2 CO contact (AgNi) |
| Mechanical service life | AC coil 20 x 106 switching cycles, DC coil 30 x 106 switching cycles | Min. switching power | 1 mA @ 24 V, 10 mA @ 12 V, 100 mA @ 5 V |

General data

| | | | |
|--------------------------------------|-----|------------------------|--|
| Test button available | Yes | Version of test button | Lockable test button, Momentary test button |
| Mechanical switch position indicator | Yes | Colour | Transparent |
| UL 94 flammability rating | V-2 | | |

RCM270615

Weidmüller Interface GmbH & Co. KG

Klingenbergstraße 26
D-32758 Detmold
Germany

www.weidmueller.com

Technical data

Insulation coordination

| | | | |
|---|--------------------|--|--------------------|
| Rated voltage | 250 V | Pollution severity | 2 |
| Surge voltage category | III | Insulating material group | IIIa |
| Clearance and creepage distances for control side - load side | ≥ 4 mm | Dielectric strength for control side - load side | 2.5 kVeff / 1 Min. |
| Dielectric strength of neighbouring contacts | 2.5 kVeff / 1 Min. | Dielectric strength of open contact | 1.2 kVeff / 1 min. |
| Impulse withstand voltage | 5 kV (1.2/50 µs) | Protection degree | IP20 |

Further details of approvals / standards

| | | | |
|-------------------------|----------------|-----------------------|----------|
| Certificate No. (CSA) | 249409-2426937 | Certificate No. (VDE) | 40011762 |
| Certificate No. (cURus) | E522350 | | |

Connection data

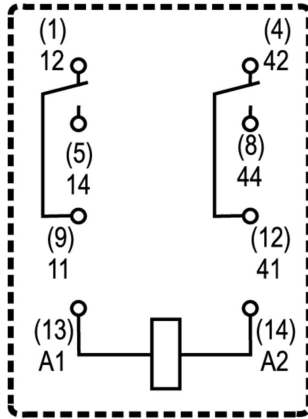
| | |
|------------------------|--------------------|
| Wire connection method | Plug-in connection |
|------------------------|--------------------|

Classifications

| | | | |
|-------------|-------------|-------------|-------------|
| ETIM 8.0 | EC001437 | ETIM 9.0 | EC001437 |
| ETIM 10.0 | EC001437 | ECLASS 14.0 | 27-37-16-01 |
| ECLASS 15.0 | 27-37-16-01 | | |

Drawings

Wiring diagram



View of Pins from below

Graph



DC load limit curve Resistive load

Graph



AC operational voltage range

Graph



Electrical service life 250 V AC resistive load

Graph



Derating curve Relay in combination with base

Dimensional drawing



Miscellaneous



Type codes

RCM270615

Weidmüller Interface GmbH & Co. KG

Klingenbergstraße 26

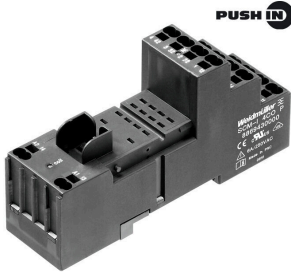
D-32758 Detmold

Germany

www.weidmueller.com

Accessories

Sockets



relays sockets for RIDERSERIES RCM relays

- 2, 3 and 4 CO contacts
- Screw and PUSH IN connection
- Standard and low heights

General ordering data

| | | |
|------------|----------------------------|---|
| Type | SCM-I 2CO | Version |
| Order No. | 8869400000 | RIDERSERIES RCM, Relay socket, Number of contacts: 2, CO contact, |
| GTIN (EAN) | 4032248614264 | Continuous current: 12 A, Screw connection |
| Qty. | 10 ST | |
| Type | SCM-I 2CO P | Version |
| Order No. | 8876220000 | RIDERSERIES RCM, Relay socket, Number of contacts: 2, CO contact, |
| GTIN (EAN) | 4032248609031 | Continuous current: 12 A, PUSH IN |
| Qty. | 10 ST | |
| Type | SCM-I 4CO | Version |
| Order No. | 8869420000 | RIDERSERIES RCM, Relay socket, Number of contacts: 4, CO contact, |
| GTIN (EAN) | 4032248614271 | Continuous current: 6 A, Screw connection |
| Qty. | 10 ST | |
| Type | SCM-I 4CO N | Version |
| Order No. | 8869390000 | RIDERSERIES RCM, Relay socket, Number of contacts: 4, CO contact, |
| GTIN (EAN) | 4032248614257 | Continuous current: 6 A, Screw connection |
| Qty. | 10 ST | |
| Type | SCM-I 4CO P | Version |
| Order No. | 8869430000 | RIDERSERIES RCM, Relay socket, Number of contacts: 4, CO contact, |
| GTIN (EAN) | 4032248614288 | Continuous current: 6 A, PUSH IN |
| Qty. | 10 ST | |

Cross-connection for socket with PUSH IN connection



Cross-connection for the sockets in the RIDERSERIES RCM

General ordering data

| | | |
|------------|----------------------------|----------------------------------|
| Type | SCM-I QV P | Version |
| Order No. | 8870850000 | RIDERSERIES RCM, Cross-connector |
| GTIN (EAN) | 4032248631698 | |
| Qty. | 10 ST | |

RCM270615

Weidmüller Interface GmbH & Co. KG
 Klingenbergstraße 26
 D-32758 Detmold
 Germany

www.weidmueller.com

Accessories

Cross-connection for socket with screw connection

Cross-connection for the sockets in the D-SERIES DRM.



General ordering data

| | | | |
|------------|----------------------------|----------------------------------|--|
| Type | SCM-I QV S | Version | |
| Order No. | 1132080000 | RIDERSERIES RCM, Cross-connector | |
| GTIN (EAN) | 4032248912193 | | |
| Qty. | 10 ST | | |

Protection module



Pluggable protective modules for the RIDERSERIES RCI / RCM relay sockets, with optional protective functions.

- Optional with free-wheeling diode, protective varistor, load resistor or RC filter

General ordering data

| | | | |
|------------|----------------------------|---|--|
| Type | RIM-I 1 6/230V | Version | |
| Order No. | 8869580000 | RIDERSERIES, Free-wheeling diode, Rated control voltage: 6...230 V DC, Plug-in connection | |
| GTIN (EAN) | 4032248614523 | | |
| Qty. | 10 ST | | |
| Type | RIM-I 1 R 110/230V | Version | |
| Order No. | 8870830000 | RIDERSERIES, Load, Rated control voltage: 110...230 V UC, Plug-in connection | |
| GTIN (EAN) | 4032248631674 | | |
| Qty. | 10 ST | | |

LED



Pluggable protective modules for the RIDERSERIES RCI / RCM relay sockets, with optional protective functions.

- Optional with green or red LED
- For UC supply voltage

RCM270615

Weidmüller Interface GmbH & Co. KG
 Klingenbergstraße 26
 D-32758 Detmold
 Germany

www.weidmueller.com

Accessories

General ordering data

| | | |
|------------|----------------------------|---|
| Type | RIM-I 3 110/230VUC | Version |
| Order No. | 8869650000 | RIDERSERIES, LED module, Rated control voltage: 110...230 V UC, |
| GTIN (EAN) | 4032248614592 | Plug-in connection |
| Qty. | 10 ST | |
| Type | RIM-I 3 110/230VUC GN | Version |
| Order No. | 8869660000 | RIDERSERIES, LED module, Rated control voltage: 110...230 V UC, |
| GTIN (EAN) | 4032248614721 | Plug-in connection |
| Qty. | 10 ST | |

Protection module



Pluggable protective modules for the RIDERSERIES RCI / RCM relay sockets, with optional protective functions.

- Optional with free-wheeling diode, protective varistor, load resistor or RC filter

General ordering data

| | | |
|------------|----------------------------|--|
| Type | RIM-I 3 110/230VAC RC | Version |
| Order No. | 8869790000 | RIDERSERIES, RC filter, Rated control voltage: 110...230 V UC, Plug-in |
| GTIN (EAN) | 4032248606337 | connection |
| Qty. | 10 ST | |

Protective varistor



Pluggable protective modules for the RIDERSERIES RCI / RCM relay sockets, with optional protective functions.

- With protective varistor
- For UC supply voltage

General ordering data

| | | |
|------------|----------------------------|--|
| Type | RIM-I 4 110VUC VAR | Version |
| Order No. | 8869730000 | RIDERSERIES, Protective varistor, Rated control voltage: 110 V UC, |
| GTIN (EAN) | 4032248606351 | Plug-in connection |
| Qty. | 10 ST | |

RCM270615

Weidmüller Interface GmbH & Co. KG
 Klingenbergstraße 26
 D-32758 Detmold
 Germany

www.weidmueller.com

Accessories

Retaining clips



Retaining clip for RIDERSERIES RCM relays
 • Metal and plastic retaining clip

General ordering data

| | | |
|------------|----------------------------|---------------------------------|
| Type | SCM-I CLIP M | Version |
| Order No. | 8869450000 | RIDERSERIES RCM, Retaining clip |
| GTIN (EAN) | 4032248614301 | |
| Qty. | 10 ST | |
| Type | SCM-I CLIP P | Version |
| Order No. | 8869440000 | RIDERSERIES RCM, Retaining clip |
| GTIN (EAN) | 4032248614295 | |
| Qty. | 10 ST | |
| Type | SCM-I CLIP N | Version |
| Order No. | 8875620000 | RIDERSERIES RCM, Retaining clip |
| GTIN (EAN) | 4032248608577 | |
| Qty. | 10 ST | |

RCM

General ordering data

| | | |
|------------|----------------------------|--|
| Type | SCM 3CO PCB | Version |
| Order No. | 8697640000 | RIDERSERIES, Flange-mounted housing, Number of contacts: 3, CO |
| GTIN (EAN) | 4032248369393 | contact, Continuous current: 10 A, Print connection |
| Qty. | 25 ST | |

RCM270615

Weidmüller Interface GmbH & Co. KG

Klingenbergstraße 26

D-32758 Detmold

Germany

www.weidmueller.com

Accessories

ESG 6/15



Guaranteed long service life: ESG

The multi-colour and multi-format labels have a strong adhesive layer to ensure the best possible adhesion to the underlying surface. Double laminated polyester makes the basic material very thin and yet extremely tear-resistant.

Your benefits with MultiMark

- "Different materials for various requirements"
- Can be used with equipment from many manufacturers
- Device markers with a familiar design

General ordering data

| | | | |
|------------|----------------------------|---------------------------------------|--|
| Type | ESG 6/15 MM WS | Version | |
| Order No. | 2619940000 | ESG, Device markers, 6 x 15 mm, white | |
| GTIN (EAN) | 4050118626148 | | |
| Qty. | 3000 ST | | |

ESG 6/17



Guaranteed long service life: ESG

The multi-colour and multi-format labels have a strong adhesive layer to ensure the best possible adhesion to the underlying surface. Double laminated polyester makes the basic material very thin and yet extremely tear-resistant.

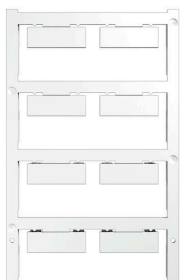
Your benefits with MultiMark

- "Different materials for various requirements"
- Can be used with equipment from many manufacturers
- Device markers with a familiar design

General ordering data

| | | | |
|------------|----------------------------|---------------------------------------|--|
| Type | ESG 6/17 MM WS | Version | |
| Order No. | 2005100000 | ESG, Device markers, 6 x 17 mm, white | |
| GTIN (EAN) | 4050118390728 | | |
| Qty. | 3000 ST | | |

Blank



ESG is the tried-and-tested marker in MultiCard format for use on many well-known electrical devices. The result is high-quality device marking with a high-contrast appearance.

Various types are available for devices from manufacturers like Siemens, ABB, Beckhoff etc.

Advantages at a glance:

- Tags for universal usage, self-adhesive or clip-on tags, depending on type
- For aligned equipment, e.g. circuit breakers, we supply ESG markers for clipping onto tag rails
- Individual laser-quality printing according to specifications

For custom printing: Please send us a file of our labeling software M-Print PRO or M-Print PRO Online (without installation) for your labeling specifications.

Accessories

General ordering data

| | | | |
|------------|----------------------------|--|--|
| Type | ESG 9/26 SCM-I MC NE WS | Version | |
| Order No. | 2558330000 | ESG, Device markers x 26 mm, PA 66, Colour: white, pluggable | |
| GTIN (EAN) | 4050118569049 | | |
| Qty. | 80 ST | | |

RCM270615

Weidmüller Interface GmbH & Co. KG

Klingenbergstraße 26

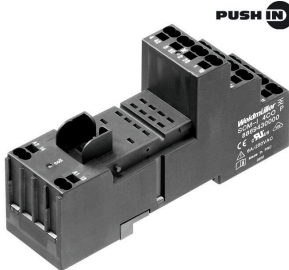
D-32758 Detmold

Germany

Counterpart

www.weidmueller.com

Sockets



relays sockets for RIDERSERIES RCM relays

- 2, 3 and 4 CO contacts
- Screw and PUSH IN connection
- Standard and low heights

General ordering data

| | | |
|------------|----------------------------|---|
| Type | SCM-I 2CO | Version |
| Order No. | 8869400000 | RIDERSERIES RCM, Relay socket, Number of contacts: 2, CO contact, |
| GTIN (EAN) | 4032248614264 | Continuous current: 12 A, Screw connection |
| Qty. | 10 ST | |
| Type | SCM-I 2CO P | Version |
| Order No. | 8876220000 | RIDERSERIES RCM, Relay socket, Number of contacts: 2, CO contact, |
| GTIN (EAN) | 4032248609031 | Continuous current: 12 A, PUSH IN |
| Qty. | 10 ST | |
| Type | SCM-I 4CO | Version |
| Order No. | 8869420000 | RIDERSERIES RCM, Relay socket, Number of contacts: 4, CO contact, |
| GTIN (EAN) | 4032248614271 | Continuous current: 6 A, Screw connection |
| Qty. | 10 ST | |
| Type | SCM-I 4CO N | Version |
| Order No. | 8869390000 | RIDERSERIES RCM, Relay socket, Number of contacts: 4, CO contact, |
| GTIN (EAN) | 4032248614257 | Continuous current: 6 A, Screw connection |
| Qty. | 10 ST | |
| Type | SCM-I 4CO P | Version |
| Order No. | 8869430000 | RIDERSERIES RCM, Relay socket, Number of contacts: 4, CO contact, |
| GTIN (EAN) | 4032248614288 | Continuous current: 6 A, PUSH IN |
| Qty. | 10 ST | |