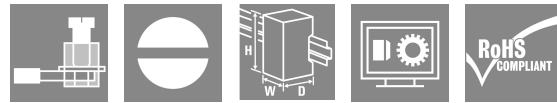
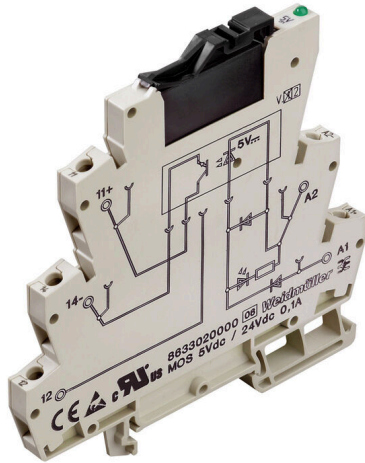


MOS 24Vdc / 24Vdc 2A

Weidmüller Interface GmbH & Co. KG
 Klingenbergstraße 26
 D-32758 Detmold
 Germany

www.weidmueller.com



Similar to illustration

General ordering data

Version	MICROSERIES, Solid-state relay, Rated control voltage: 24 V DC $\pm 20\%$, Rated switching voltage: 3...33 V DC, Continuous current: 2 A, Screw connection
Order No.	8607350000
Type	MOS 24Vdc / 24Vdc 2A
GTIN (EAN)	4032248266821
Qty.	10 items
Delivery status	Discontinued
Available until	2016-06-30T00:00:00+02:00
Alternative product	TOS 24VDC 24VDC2A

MOS 24Vdc / 24Vdc 2A

Weidmüller Interface GmbH & Co. KG

Klingenbergstraße 26

D-32758 Detmold

Germany

www.weidmueller.com

Technical data

Approvals

Approvals



ROHS Conform

UL File Number Search [UL Website](#)

Certificate no. (cULus) E141197

Dimensions and weights

Depth	94 mm	Depth (inches)	3.7008 inch
Height	93 mm	Height (inches)	3.6614 inch
Width	6.1 mm	Width (inches)	0.2402 inch
Net weight	33.17 g		

Temperatures

Storage temperature	-40 °C...60 °C	Operating temperature	-25 °C...50 °C
Humidity	40 °C / 93 % rel. humidity, no condensation		

Probability of failure

MTTF 394 a

Environmental Product Compliance

RoHS Compliance Status	Compliant with exemption
RoHS Exemption (if applicable/known)	7a, 7cl
REACH SVHC	Lead 7439-92-1
SCIP	d32f8e6 1-6733-45d6-9062-c95f9903aad6

Control side

Rated control voltage	24 V DC \pm 20 %	Nominal control current	5.7 mA DC
Power rating	140 mW	Status indicator	Green LED
Protective circuit	Free-wheeling diode, Reverse polarity protection	Input frequency	300 Hz

Load side

Rated switching voltage	3...33 V DC	Continuous current	2 A
Rated switching current	2 A	Switch-on delay	< 55 μ s
Switch-off delay	< 1.2 ms	Voltage drop at max. load	\leq 120 mV
Short-circuit-proof	No	Contact type	1 NO contact (MOS-FET)
max. switching frequency (DC control voltage)	300 Hz		

General data

Mounting rail	TS 35	Colour	beige
---------------	-------	--------	-------

MOS 24Vdc / 24Vdc 2A

Weidmüller Interface GmbH & Co. KG
 Klingenbergstraße 26
 D-32758 Detmold
 Germany

www.weidmueller.com

Technical data

Insulation coordination

Rated voltage	300 V	Pollution severity	2
Surge voltage category	III	Clearance and creepage distances for control side - load side	≥ 5.5 mm
Dielectric strength for control side - load side	2.5 kVeff / 1 Min.	Dielectric strength to mounting rail	4 kVeff / 1 Min.
Impulse withstand voltage	4 kV (1.2/50 µs)	Protection degree	IP20

Further details of approvals / standards

Standards	UL508	Certificate no. (cULus)	E141197
-----------	-------	-------------------------	---------

Connection data

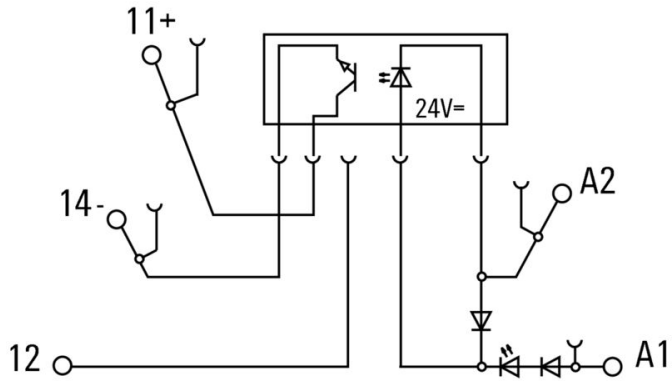
Wire connection method	Screw connection	Clamping range, rated connection	2.5 mm ²
Clamping range, min.	0.5 mm ²	Clamping range, max.	4 mm ²
Blade size	0.6 x 3.5 mm		

Classifications

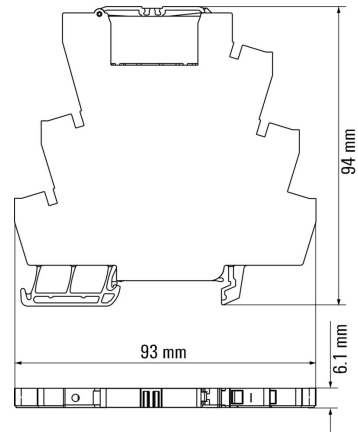
ETIM 8.0	EC001504	ETIM 9.0	EC001504
ETIM 10.0	EC001504	ECLASS 14.0	27-37-16-04
ECLASS 15.0	27-37-16-04		

Drawings

Wiring diagram



Dimensional drawing



Maßzeichnung

MOS 24Vdc / 24Vdc 2A

Weidmüller Interface GmbH & Co. KG
 Klingenbergstraße 26
 D-32758 Detmold
 Germany

www.weidmueller.com

Accessories

Slotted screwdriver



Slotted screwdriver with rounded blade SD DIN 5265, ISO 2380/2, output to DIN 5264, ISO 2380/1. ChromTop tip, SoftFinish grip

General ordering data

Type	SDS 0.6X3.5X100	Version	
Order No.	2749340000	Screwdriver, Blade width (B): 3.5 mm, Blade length: 100 mm, Blade thickness (A): 0.6 mm	
GTIN (EAN)	4050118895568		
Qty.	1 ST		

Blank



WS markers are the perfect match for the W-series connectors. Thanks to their system compatibility, the WS tags can also be used with the I-series and the Z-series. The large marking surfaces do not only permit long character strings but also multi-line text. WS markers are ideal for labels with long, customised character strings. Thanks to the proven MultiCard format, printing with PrintJet CONNECT oder/or Plotter is possible.

- Can be fitted in strips or individually
- Markers in proven MultiCard format

For custom printing: Please send us a file of our labeling software M-Print PRO or M-Print PRO Online (without installation) for your labeling specifications.

General ordering data

Type	WS 12/6 MC NE WS	Version	
Order No.	1609900000	WS, Terminal marker, 12 x 6 mm, Pitch in mm (P): 6.00 Weidmueller, Allen-Bradley, white	
GTIN (EAN)	4008190203467		
Qty.	600 ST		

Cross-connections



The distribution or multiplication of a potential to adjoining terminal blocks is realized via a cross-connection. Additional wiring effort can be easily avoided. Even if the poles are broken out, contact reliability in the terminal blocks is still ensured. Our portfolio offers pluggable and screwable cross-connection systems for modular terminal blocks.

MOS 24Vdc / 24Vdc 2A

Weidmüller Interface GmbH & Co. KG
 Klingenbergstraße 26
 D-32758 Detmold
 Germany

www.weidmueller.com

Accessories

General ordering data

Type	ZQV 4N/10 BL	Version
Order No.	1794050000	W-Series, Cross-connector, 32 A
GTIN (EAN)	4032248234011	
Qty.	20 ST	
Type	ZQV 4N/10 GE	Version
Order No.	1758260000	W-Series, Cross-connector, 32 A
GTIN (EAN)	4032248169764	
Qty.	20 ST	
Type	ZQV 4N/10 RT	Version
Order No.	1794040000	W-Series, Cross-connector, 32 A
GTIN (EAN)	4032248234004	
Qty.	20 ST	
Type	ZQV 4N/10 SW	Version
Order No.	1794060000	W-Series, Cross-connector, 32 A
GTIN (EAN)	4032248234059	
Qty.	20 ST	
Type	ZQV 4N/2 BL	Version
Order No.	1793960000	W-Series, Cross-connector, 32 A
GTIN (EAN)	4032248233755	
Qty.	60 ST	
Type	ZQV 4N/2 GE	Version
Order No.	1758250000	W-Series, Cross-connector, 32 A
GTIN (EAN)	4032248169795	
Qty.	60 ST	
Type	ZQV 4N/2 RT	Version
Order No.	1793950000	W-Series, Cross-connector, 32 A
GTIN (EAN)	4032248233748	
Qty.	60 ST	
Type	ZQV 4N/2 SW	Version
Order No.	1793970000	W-Series, Cross-connector, 32 A
GTIN (EAN)	4032248233762	
Qty.	60 ST	
Type	ZQV 4N/20 BL	Version
Order No.	1909100000	W-Series, Cross-connector, 32 A
GTIN (EAN)	4032248535774	
Qty.	20 ST	
Type	ZQV 4N/20 GE	Version
Order No.	1909020000	W-Series, Cross-connector, 32 A
GTIN (EAN)	4032248535644	
Qty.	20 ST	
Type	ZQV 4N/20 RT	Version
Order No.	1909150000	W-Series, Cross-connector, 32 A
GTIN (EAN)	4032248535934	
Qty.	20 ST	
Type	ZQV 4N/20 SW	Version
Order No.	1909120000	W-Series, Cross-connector, 32 A
GTIN (EAN)	4032248535804	
Qty.	20 ST	
Type	ZQV 4N/3 BL	Version
Order No.	1793990000	W-Series, Cross-connector, 32 A
GTIN (EAN)	4032248233786	
Qty.	60 ST	

MOS 24Vdc / 24Vdc 2A

Weidmüller Interface GmbH & Co. KG
 Klingenbergstraße 26
 D-32758 Detmold
 Germany

www.weidmueller.com

Accessories

Type	ZQV 4N/3 GE	Version
Order No.	1762630000	W-Series, Cross-connector, 32 A
GTIN (EAN)	4032248169788	
Qty.	60 ST	
Type	ZQV 4N/3 RT	Version
Order No.	1793980000	W-Series, Cross-connector, 32 A
GTIN (EAN)	4032248233779	
Qty.	60 ST	
Type	ZQV 4N/3 SW	Version
Order No.	1794000000	W-Series, Cross-connector, 32 A
GTIN (EAN)	4032248233793	
Qty.	60 ST	
Type	ZQV 4N/4 BL	Version
Order No.	1794020000	W-Series, Cross-connector, 32 A
GTIN (EAN)	4032248233816	
Qty.	60 ST	
Type	ZQV 4N/4 GE	Version
Order No.	1762620000	W-Series, Cross-connector, 32 A
GTIN (EAN)	4032248169771	
Qty.	60 ST	
Type	ZQV 4N/4 RT	Version
Order No.	1794010000	W-Series, Cross-connector, 32 A
GTIN (EAN)	4032248233809	
Qty.	60 ST	
Type	ZQV 4N/4 SW	Version
Order No.	1794030000	W-Series, Cross-connector, 32 A
GTIN (EAN)	4032248233915	
Qty.	60 ST	