

FBCON PA CG/M12 2WAY

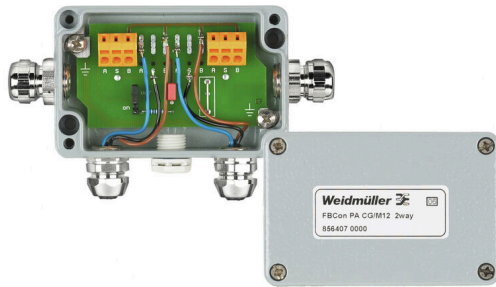
Weidmüller Interface GmbH & Co. KG

Klingenbergstraße 26

D-32758 Detmold

Germany

www.weidmueller.com



For standard industrial applications (non-hazardous areas), PROFIBUS PA junction boxes and limiters are available as 1-way, 2-way, 4-way, and 8-way distributors. FBCon limiters are designed to protect connected field devices from over voltages and short circuits. As voltage-limiting protective elements, suppressor diodes are used. Due to the integrated current limitation, the segment is also protected against short circuit on a spur line. EMC cable glands, protection class IP66 and a wide operating temperature range safely protect your connections in harsh environments.

Functionality

- EMC cable glands for trunk and spurs
- M12 connector for spurs
- External earthing stud
- Pressure equalizing element
- Protection class IP66
- Aluminium and stainless-steel versions
- Profibus PA / Foundation Fieldbus compatible

Note: The use of FBCon products with aluminum enclosures and / or M12 connectors is not recommended in strongly saline environments.

General ordering data

Version	Standard distributor with bus termination (active), 2-way distributor, IP65, IP66, Branch line M12, Round
Order No.	8564070000
Type	FBCON PA CG/M12 2WAY
GTIN (EAN)	4032248236602
Qty.	1 items

FBCON PA CG/M12 2WAY
Weidmüller Interface GmbH & Co. KG

 Klingenbergstraße 26
 D-32758 Detmold
 Germany

www.weidmueller.com
Technical data
Approvals

Approvals



ROHS Conform

UL File Number Search [UL Website](#)

Certificate no. (cULus) E141197

Dimensions and weights

Depth	34 mm	Depth (inches)	1.3386 inch
Height	37 mm	Height (inches)	1.4567 inch
Width	64 mm	Width (inches)	2.5197 inch
Net weight	344 g		

Temperatures

Storage temperature	-40 °C...80 °C	Operating temperature	-40 °C...80 °C
Humidity	5...95 %, no condensation		

Probability of failure

SIL in compliance with IEC 61508 None

Environmental Product Compliance

RoHS Compliance Status	Compliant with exemption
RoHS Exemption (if applicable/known)	6bl, 6c, 7cl
REACH SVHC	Lead 7439-92-1
SCIP	3a5f5913-76fc-4ff5-8563-4463f80bbe02

Connection data

Clamping range, min.	4 mm ²	Clamping range, max.	6 mm ²
----------------------	-------------------	----------------------	-------------------

Technical data

Number of poles	3	Cable glands	Brass cable gland
Connection type PE	M12 spur line	Contact carrier material	Brass
Type of distribution	2-way distributor	Number of contact sockets	2
Design of housing	With pressure compensation element	Housing main material	Aluminium, Aluminum
Cable entry	Branch line M12, Round	Contact material	CuZnAu
Conductor O.D., max.	9.5 mm	Conductor O.D., min.	6.5 mm
Type of mounting	surface-mounted	Protection degree	IP65, IP66
Pollution severity	3	Bus system	Profibus-PA, Foundation Fieldbus
Operating voltage	30 V	Operating voltage U _{max} , max.	30 V DC

Part description

Product description The device is a passive field distributor for the fieldbus systems Profibus PA and Foundation Fieldbus H1. The device complies with protection class IP66/IP67. Functional description The device connects up to eight field devices with a fieldbus segment. The device supports earthing

FBCON PA CG/M12 2WAY

Weidmüller Interface GmbH & Co. KG
Klingenbergstraße 26
D-32758 Detmold
Germany

www.weidmueller.com

Technical data

concepts with multi-point screen earthing or single-point screen earthing. The earthing concepts are explained in the Profibus PA and Foundation Fieldbus guidelines.

Classifications

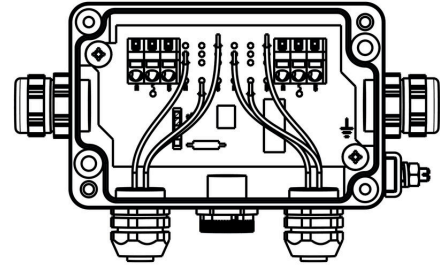
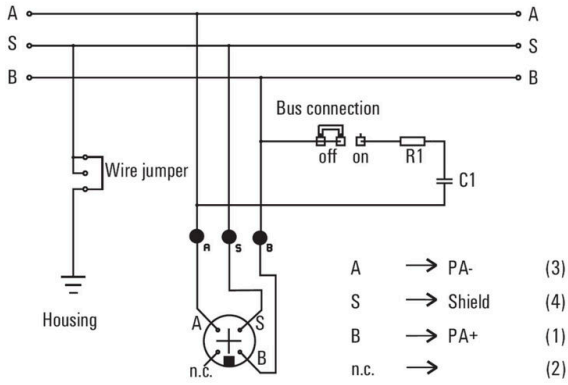
ETIM 8.0	EC001604	ETIM 9.0	EC001604
ETIM 10.0	EC001604	ECLASS 14.0	27-44-01-11
ECLASS 15.0	27-44-01-11		

FBCON PA CG/M12 2WAY

Weidmüller Interface GmbH & Co. KG
Klingenbergstraße 26
D-32758 Detmold
Germany

Drawings

www.weidmueller.com



FBCON PA CG/M12 2WAY

Weidmüller Interface GmbH & Co. KG
 Klingenbergstraße 26
 D-32758 Detmold
 Germany

www.weidmueller.com

Accessories

Brass blanking plugs, round head IND



In addition to cable glands for a wide range of applications, the product portfolio is rounded off by plugs, pressure compensation elements, adaptors and the corresponding accessories such as locknuts, sealing rings, flat washers and earthing rings.

General ordering data

Type	VP 9-MS65	Version	
Order No.	0294700000	VPMS (blanking plug in brass), Blanking plug, in closed state, PG 9, 5	
GTIN (EAN)	4008190005887	mm, Brass, nickel-plated	
Qty.	100 ST		

IP68 version



In addition to the extensive range of enclosures, Weidmüller offers a variety of cable glands for a wide range of applications. The cable glands made of brass, plastic and stainless steel meet the most various IP protection classes to suit any industrial enclosure. Depending on the series of cable glands and the application, the cable glands are approved and tested according to VDE, UL, UR, cULus, DNV GL or EN 45545.

General ordering data

Type	VG 9-MS68	Version	
Order No.	1569070000	VG MS (standard brass cable gland), Cable glands, straight, PG 9, 6	
GTIN (EAN)	4008190116262	mm, OD min. 4 - OD max. 8 mm, IP54, IP66, IP67, IP68 - 5 bar (30	
Qty.	50 ST	min.), IP69K, Brass, nickel-plated	

Neoprene flat gasket - GWDR NP



In addition to cable glands for a wide range of applications, the product portfolio is rounded off by plugs, pressure compensation elements, adaptors and the corresponding accessories such as locknuts, sealing rings, flat washers and earthing rings.

General ordering data

Type	GWDR PG9-NP	Version	
Order No.	1719550000	GWDR NP (flat gasket - neoprene), Sealing ring, PG 9, Neoprene	
GTIN (EAN)	4008190352813		
Qty.	100 ST		

FBCON PA CG/M12 2WAY

Weidmüller Interface GmbH & Co. KG
 Klingenbergstraße 26
 D-32758 Detmold
 Germany

www.weidmueller.com

Accessories

IP68 version



In addition to the extensive range of enclosures, Weidmüller offers a variety of cable glands for a wide range of applications. The cable glands made of brass, plastic and stainless steel meet the most various IP protection classes to suit any industrial enclosure. Depending on the series of cable glands and the application, the cable glands are approved and tested according to VDE, UL, UR, cULus, DNV GL or EN 45545.

General ordering data

Type	VG M16 - MS 68	Version	
Order No.	1772210000	VG MS (standard brass cable gland), Cable glands, straight, M 16, 7	
GTIN (EAN)	4032248129867	mm, OD min. 4 - OD max. 8 mm, IP54, IP66, IP67, IP68 - 5 bar (30	
Qty.	50 ST	min.), IP69K, Brass, nickel-plated	

M12



Protective caps protect unassigned plug-in stations against external influences.

General ordering data

Type	SAI-SK-M12	Version	
Order No.	9456050000	Protected component assemblies, Protective cap	
GTIN (EAN)	4008190304058		
Qty.	30 ST		

PVC/PE black (FBC)

PVC



The most reliable way of achieving connections between two I/O slaves or between the control and one I/O subscriber is by way of pre-assembled cables. The line of cables covers PROFIBUS, CANopen, DeviceNet™, EtherCAT and Ethernet.

General ordering data

Type	FBC PA M12 M 2M	Version	
Order No.	1785120200	Bus line, One end without connector, M12, Number of poles: 2, 2 m,	
GTIN (EAN)	4032248194803	pin, straight, Shielded: Yes, LED: No, Sheath material: PVC, Halogen:	
Qty.	1 ST	Yes	