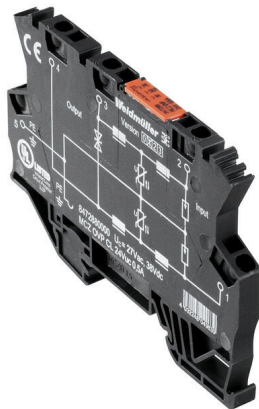


MCZ OVP CL 24VAC 0,5A

Weidmüller Interface GmbH & Co. KG
 Klingenbergstraße 26
 D-32758 Detmold
 Germany

www.weidmueller.com



- Slimline overvoltage protection terminal with tension clamp connection
- 6 mm Slimline fine overvoltage protection
- fast wiring thanks to TS contact and tension clamp connections
- can be cross-connected

General ordering data

Version	Surge protection for instrumentation and control, Surge protection for measurement and control
Order No.	8472880000
Type	MCZ OVP CL 24VAC 0,5A
GTIN (EAN)	4032248049639
Qty.	10 items

MCZ OVP CL 24VAC 0,5A

Weidmüller Interface GmbH & Co. KG

Klingenbergstraße 26

D-32758 Detmold

Germany

www.weidmueller.com

Technical data

Approvals

Approvals



ROHS Conform

UL File Number Search [UL Website](#)

Certificate No. (UL) E311081

Dimensions and weights

Depth	63.5 mm	Depth (inches)	2.5 inch
Height	91 mm	Height (inches)	3.5827 inch
Width	6 mm	Width (inches)	0.2362 inch
Net weight	13.34 g		

Temperatures

Storage temperature	-40 °C...85 °C	Operating temperature	-40 °C...60
---------------------	----------------	-----------------------	-------------

Environmental Product Compliance

RoHS Compliance Status	Compliant with exemption
RoHS Exemption (if applicable/known)	7a
REACH SVHC	Lead 7439-92-1
SCIP	c9db83e7-2b25-44e1-8d26-da64d426373f

Rated data UL

Certificate No. (UL)	E311081
----------------------	---------

General data

Segment	Measurement - Monitoring - Setting	Version	Surge protection for measurement and control
Design	Terminal	UL 94 flammability rating	V-0
Colour	black	Protection degree	IP20
Mounting rail	TS 35	Height with TS 35	63.5 mm

Insulation coordination acc. to EN 50178

Surge voltage category	III	Pollution severity	2
------------------------	-----	--------------------	---

Rated data IEC / EN

Discharge current, I _{imp} (10/350 μs)	1 kA	Rated voltage (AC)	24 V
Rated voltage (DC), max.	38 V	Rated voltage (DC)	28 V
Rated current I _N	0.5 A	Protection level on output side Wire-wire	45 V 1 kV/μs, typically
Protection level on output side Wire-PE	45 V 1kV/μs, typically	Protection level on output side Wire-wire	70 V 8/20 μs, typically
Protection level on output side Wire-PE	70 V 8/20 μs, typically	Voltage type	AC/DC
Fuse protection	0.5 A	Response time / fallback time	≤ 100 ps
Operating voltage	38 V	Volume resistance	1.00 Ω
Standards	HART-compatible	Operating current, I _{max} .	0.5 A

MCZ OVP CL 24VAC 0,5A

Weidmüller Interface GmbH & Co. KG
 Klingenbergstraße 26
 D-32758 Detmold
 Germany

www.weidmueller.com

Technical data

Lightning test current limp (10/350 µs)	1 kA
Requirements category acc. to IEC 61643-21	D1
Limiting frequency (-3 dB) at load resistance	500 kHz 240 Ω
Inductance L and L1	35 µH

Discharge current, max. (8/20 µs)	5 kA
Load resistance (for limiting frequency)	240 Ω
Max. continuous voltage, U _c (AC)	38 V

Connection data

Stripping length	8 mm
Wire connection method	Spring connection
Stripping length, rated connection	8 mm
Clamping range, min.	0.5 mm ²
Wire connection cross section AWG, min.	AWG 26
Wire cross-section, solid, min.	0.5 mm ²
Wire cross-section, solid, min. (AWG)	AWG 26
Wire connection cross section, finely stranded, min.	0.5 mm ²
Wire cross-section, finely stranded, min. (AWG)	AWG 26
Wire connection cross-section, finely stranded with wire-end ferrules DIN 46228/4, min.	0.5 mm ²
Conductor cross-section, flexible, AEH (DIN 46228-1), min.	0.5 mm ²
Blade size	0.6 x 3.5 mm

Cross-section	1.5 mm ²
Type of connection	Tension-clamp connection
Clamping range, rated connection	1.5 mm ²
Clamping range, max.	1.5 mm ²
Wire connection cross section AWG, max.	AWG 16
Wire cross-section, solid, max.	1.5 mm ²
Wire cross-section, solid, max. (AWG)	AWG 16
Wire connection cross section, finely stranded, max.	1.5 mm ²
Wire cross-section, finely stranded, max. (AWG)	AWG 16
Wire connection cross-section, finely stranded with wire-end ferrules DIN 46228/4, max.	1.5 mm ²
Conductor cross-section, flexible, AEH (DIN 46228-1), max.	1.5 mm ²

Electrical data

Voltage type	AC/DC
--------------	-------

General data

Protection degree	IP20	Colour	black
-------------------	------	--------	-------

Classifications

ETIM 8.0	EC000943	ETIM 9.0	EC000943
ETIM 10.0	EC000943	ECLASS 14.0	27-17-15-01
ECLASS 15.0	27-17-15-01		

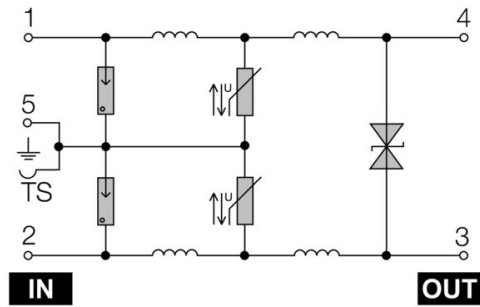
MCZ OVP CL 24VAC 0,5A

Weidmüller Interface GmbH & Co. KG
Klingenbergstraße 26
D-32758 Detmold
Germany

www.weidmueller.com

Drawings

Electric symbol



Circuit diagram

MCZ OVP CL 24VAC 0,5A

Weidmüller Interface GmbH & Co. KG
 Klingenbergstraße 26
 D-32758 Detmold
 Germany

www.weidmueller.com

Accessories

Steel



Steel DIN rails are the most widespread on the market. Among metal DIN rails, they have the lowest shortcircuit protection, similar to stainless steel.

General ordering data

Type	TS 35X7.5 2M/ST/ZN	Version	
Order No.	0383400000	Terminal rail, Accessories, Steel, galvanic zinc plated and passivated,	
GTIN (EAN)	4008190088026	Width: 2000 mm, Height: 35 mm, Depth: 7.5 mm	
Qty.	40 M		

End bracket



Weidmüller's range of products includes end brackets that guarantee a permanent, reliable mounting on the terminal rail and prevent sliding. Versions with and without screws are available. The end brackets include marking options, also for group markers, and also a test plug holder.

General ordering data

Type	EW 35	Version	
Order No.	0383560000	End bracket, beige, TS 35, V-2, Wemid, Width: 8.5 mm, 100 °C	
GTIN (EAN)	4008190181314		
Qty.	50 ST		

Steel



Steel DIN rails are the most widespread on the market. Among metal DIN rails, they have the lowest shortcircuit protection, similar to stainless steel.

General ordering data

Type	TS 35X15/2.3 2M/ST/ZN	Version	
Order No.	0498000000	Terminal rail, Accessories, Steel, galvanic zinc plated and passivated,	
GTIN (EAN)	4008190042493	Width: 2000 mm, Height: 35 mm, Depth: 15 mm	
Qty.	20 M		

MCZ OVP CL 24VAC 0,5A

Weidmüller Interface GmbH & Co. KG
 Klingenbergstraße 26
 D-32758 Detmold
 Germany

www.weidmueller.com

Accessories

AP MCZ 1.5 - End plate



Open miniature housing in modular terminal format with five tension clamp connections. A transparent hinged top plate can be used for labelling and provides access to potentiometer and status displays. Plug-in cross-connectors can be used to interconnect the three top connections. A cover plate for closing off the housing is also available.

General ordering data

Type	AP MCZ1.5 SW 1683	Version	
Order No.	1046410000	End plate, OMNIMATE Housing - TERMINALBOX black, End plate,	
GTIN (EAN)	4032248782246	Width: 1.5 mm	
Qty.	50 ST		

Slotted screwdriver



VDE insulated slot-head screwdriver, SDI DIN 7437, ISO 2380/2, drive output acc. to DIN 5264, ISO 2380/1. SoftFinish grip

General ordering data

Type	SDIS 0.6X3.5X100	Version	
Order No.	9008390000	Screwdriver, Screwdriver	
GTIN (EAN)	4032248056354		
Qty.	1 ST		