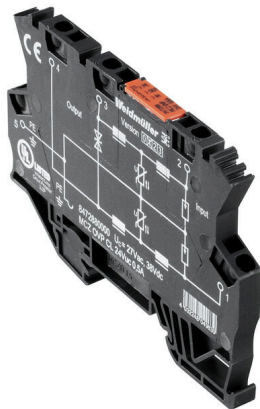


## MCZ OVP CL 24VAC 0,5A

**Weidmüller Interface GmbH & Co. KG**  
 Klingenbergstraße 26  
 D-32758 Detmold  
 Germany

www.weidmueller.com



- Slimline overvoltage protection terminal with tension clamp connection
- 6 mm Slimline fine overvoltage protection
- fast wiring thanks to TS contact and tension clamp connections
- can be cross-connected

### General ordering data

Version	Surge protection for instrumentation and control, Surge protection for measurement and control
Order No.	<a href="#">8472880000</a>
Type	MCZ OVP CL 24VAC 0,5A
GTIN (EAN)	4032248049639
Qty.	10 items

## MCZ OVP CL 24VAC 0,5A

Weidmüller Interface GmbH &amp; Co. KG

Klingenbergstraße 26

D-32758 Detmold

Germany

www.weidmueller.com

## Technical data

## Approvals

Approvals



ROHS Conform

UL File Number Search [UL Website](#)

Certificate No. (UL) E311081

## Dimensions and weights

Depth	63.5 mm	Depth (inches)	2.5 inch
Height	91 mm	Height (inches)	3.5827 inch
Width	6 mm	Width (inches)	0.2362 inch
Net weight	13.34 g		

## Temperatures

Storage temperature	-40 °C...85 °C	Operating temperature	-40 °C...60
---------------------	----------------	-----------------------	-------------

## Environmental Product Compliance

RoHS Compliance Status	Compliant with exemption
RoHS Exemption (if applicable/known)	7a
REACH SVHC	Lead 7439-92-1
SCIP	c9db83e7-2b25-44e1-8d26-da64d426373f

## Rated data UL

Certificate No. (UL)	E311081
----------------------	---------

## General data

Segment	Measurement - Monitoring - Setting	Version	Surge protection for measurement and control
Design	Terminal	UL 94 flammability rating	V-0
Colour	black	Protection degree	IP20
Mounting rail	TS 35	Height with TS 35	63.5 mm

## Insulation coordination acc. to EN 50178

Surge voltage category	III	Pollution severity	2
------------------------	-----	--------------------	---

## Rated data IEC / EN

Discharge current, I <sub>imp</sub> (10/350 μs)	1 kA	Rated voltage (AC)	24 V
Rated voltage (DC), max.	38 V	Rated voltage (DC)	28 V
Rated current I <sub>N</sub>	0.5 A	Protection level on output side Wire-wire	45 V 1 kV/μs, typically
Protection level on output side Wire-PE	45 V 1kV/μs, typically	Protection level on output side Wire-wire	70 V 8/20 μs, typically
Protection level on output side Wire-PE	70 V 8/20 μs, typically	Voltage type	AC/DC
Fuse protection	0.5 A	Response time / fallback time	≤ 100 ps
Operating voltage	38 V	Volume resistance	1.00 Ω
Standards	HART-compatible	Operating current, I <sub>max</sub> .	0.5 A

## MCZ OVP CL 24VAC 0,5A

**Weidmüller Interface GmbH & Co. KG**

Klingenbergstraße 26  
D-32758 Detmold  
Germany

www.weidmueller.com

## Technical data

Lightning test current limp (10/350 µs)	1 kA	Discharge current, max. (8/20 µs)	5 kA
Requirements category acc. to IEC 61643-21	D1	Load resistance (for limiting frequency)	240 Ω
Limiting frequency (-3 dB) at load resistance	500 kHz 240 Ω	Max. continuous voltage, U <sub>c</sub> (AC)	38 V
Inductance L and L1	35 µH		

## Connection data

Stripping length	8 mm	Cross-section	1.5 mm <sup>2</sup>
Wire connection method	Spring connection	Type of connection	Tension-clamp connection
Stripping length, rated connection	8 mm	Clamping range, rated connection	1.5 mm <sup>2</sup>
Clamping range, min.	0.5 mm <sup>2</sup>	Clamping range, max.	1.5 mm <sup>2</sup>
Wire connection cross section AWG, min.	AWG 26	Wire connection cross section AWG, max.	AWG 16
Wire cross-section, solid, min.	0.5 mm <sup>2</sup>	Wire cross-section, solid, max.	1.5 mm <sup>2</sup>
Wire cross-section, solid, min. (AWG)	AWG 26	Wire cross-section, solid, max. (AWG)	AWG 16
Wire connection cross section, finely stranded, min.	0.5 mm <sup>2</sup>	Wire connection cross section, finely stranded, max.	1.5 mm <sup>2</sup>
Wire cross-section, finely stranded, min. (AWG)	AWG 26	Wire cross-section, finely stranded, max. (AWG)	AWG 16
Wire connection cross-section, finely stranded with wire-end ferrules DIN 46228/4, min.	0.5 mm <sup>2</sup>	Wire connection cross-section, finely stranded with wire-end ferrules DIN 46228/4, max.	1.5 mm <sup>2</sup>
Conductor cross-section, flexible, AEH (DIN 46228-1), min.	0.5 mm <sup>2</sup>	Conductor cross-section, flexible, AEH (DIN 46228-1), max.	1.5 mm <sup>2</sup>
Blade size	0.6 x 3.5 mm		

## Electrical data

Voltage type	AC/DC
--------------	-------

## General data

Protection degree	IP20	Colour	black
-------------------	------	--------	-------

## Classifications

ETIM 8.0	EC000943	ETIM 9.0	EC000943
ETIM 10.0	EC000943	ECLASS 14.0	27-17-15-01
ECLASS 15.0	27-17-15-01		

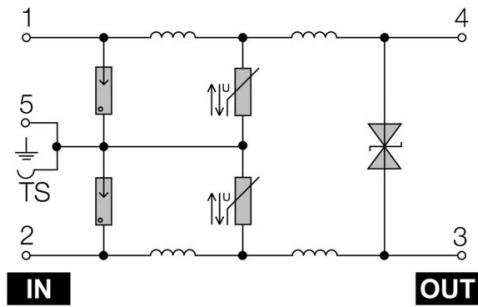
**MCZ OVP CL 24VAC 0,5A**

**Weidmüller Interface GmbH & Co. KG**  
Klingenbergstraße 26  
D-32758 Detmold  
Germany

[www.weidmueller.com](http://www.weidmueller.com)

**Drawings**

**Electric symbol**



Circuit diagram