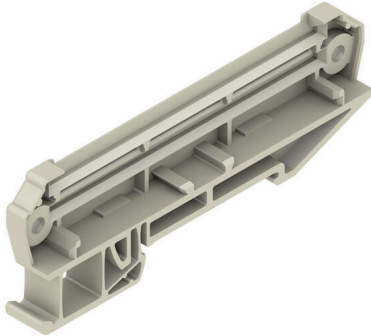


**AP RF 80 LI 2025****Weidmüller Interface GmbH & Co. KG**Klingenbergstraße 26  
D-32758 Detmold  
Germany

www.weidmueller.com



The RS 100 Profi offers you a flexible solution for your mounting needs, as both DIN rail mounting and wall mounting are possible. This versatility facilitates integration into different environments and applications. The housing can be used for the Eurocard PCB standard. The profile can be cut to size so that you can adapt it precisely to your specific requirements. For particularly heavy components, additional locking feet can be used to improve stability and thus increase the safety of your installation.

Another practical feature is the option of using a cover profile to protect large components.

**General ordering data**

Version	End plate, RS 80 Pebble grey, End plate DIN mounting rail left, Width: 30 mm
Order No.	<a href="#">8156210000</a>
Type	AP RF 80 LI 2025
GTIN (EAN)	4008190978198
Qty.	20 items

**Technical data**

**Approvals**

ROHS	Conform
------	---------

**Dimensions and weights**

Depth	9 mm	Depth (inches)	0.3543 inch
Height	86.4 mm	Height (inches)	3.4016 inch
Width	30 mm	Width (inches)	1.1811 inch
Net weight	5.95 g		

**Environmental Product Compliance**

RoHS Compliance Status	Compliant without exemption
REACH SVHC	No SVHC above 0.1 wt%

**Material data**

UL 94 flammability rating	V-0	Insulating material	PA 66
Insulating material group	I	Surface finish	untreated
Basic material	PA 66	Comparative Tracking Index (CTI)	600 ≤ CTI

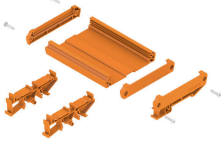
**General data**

Colour	Pebble grey	Protection degree	IP20 in installed state
Colour chart (similar)	RAL 7032	Encapsulation option	No

**Classifications**

ETIM 8.0	EC001031	ETIM 9.0	EC002779
ETIM 10.0	EC002779	ECLASS 14.0	27-19-06-02
ECLASS 15.0	27-19-06-02		



**RS 80 - Profile housing**

The RS 80 profile offers you a wide range of mounting options, as both mounting rail and wall mounting are possible. This allows flexible adaptation to your spatial conditions and requirements. For particularly heavy components, additional locking feet can be used to improve stability.

Another advantage of the RS80 profile is that it can be individually cut to size. This gives you the freedom to design the system exactly according to your needs.

**General ordering data**

Type	LKSC M2,9X13VZ	Version	
Order No.	<a href="#">4011200000</a>	Accessories, Crosshead screw	
GTIN (EAN)	4032248415014		
Qty.	100 ST		