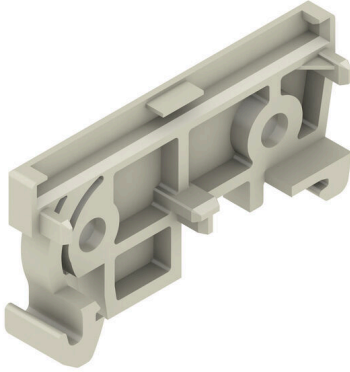


**AP 45/LI DI GR****Weidmüller Interface GmbH & Co. KG**Klingenbergstraße 26  
D-32758 Detmold  
Germany

www.weidmueller.com



The RS 100 Profi offers you a flexible solution for your mounting needs, as both DIN rail mounting and wall mounting are possible. This versatility facilitates integration into different environments and applications. The housing can be used for the Eurocard PCB standard. The profile can be cut to size so that you can adapt it precisely to your specific requirements. For particularly heavy components, additional locking feet can be used to improve stability and thus increase the safety of your installation.

Another practical feature is the option of using a cover profile to protect large components.

**General ordering data**

Version	End plate, RS 45 Pebble grey, End plate direct mounting left, Width: 18.5 mm
Order No.	<a href="#">8140870000</a>
Type	AP 45/LI DI GR
GTIN (EAN)	4008 190034887
Qty.	20 items

## AP 45/LI DI GR

Weidmüller Interface GmbH &amp; Co. KG

Klingenbergstraße 26

D-32758 Detmold

Germany

www.weidmueller.com

## Technical data

## Approvals

ROHS	Conform
------	---------

## Dimensions and weights

Height	22.8 mm	Height (inches)	0.8976 inch
Width	18.5 mm	Width (inches)	0.7283 inch
Net weight	2.82 g		

## Environmental Product Compliance

RoHS Compliance Status	Compliant without exemption
REACH SVHC	No SVHC above 0.1 wt%

## Material data

UL 94 flammability rating	V-2	Insulating material	PA 66
Surface finish	untreated	Basic material	PA 66, Plastic
Comparative Tracking Index (CTI)	600 ≤ CTI		

## General data

Colour	Pebble grey	Protection degree	IPO0
Mounting rail	TS 35	Colour chart (similar)	RAL 7032
Encapsulation option	No		

## Important note

Product information	The article will soon no longer be available. Please do not carry out any further design-ins. The RS 70 and RS 100 profile series can be used as an alternative.
---------------------	--

## Classifications

ETIM 8.0	EC001031	ETIM 9.0	EC002779
ETIM 10.0	EC002779	ECLASS 14.0	27-19-06-02
ECLASS 15.0	27-19-06-02		

