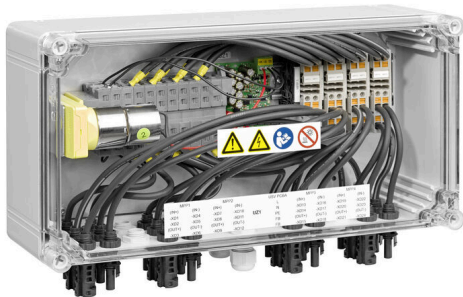


PVC DC 2I 10 4MPP RD EVO 11

Weidmüller Interface GmbH & Co. KG
 Klingenbergstraße 26
 D-32758 Detmold
 Germany

www.weidmueller.com



For safe remote shutdown Rooftop photovoltaic systems can require a disconnection device at the point where the cables enter into the building, that is connected to the power grid in the building. This allows the fire brigade to carry out their work in an emergency without being unnecessarily endangered. When the power supply is restored, the PV Next Fireman Switch automatically reconnects the PV strings.

General ordering data

Version	Photovoltaics, Combiner Box, Fireman's switch, PV Next, 1100 V, 4 MPP's, 2 Inputs / 1 Output per MPP, Remote disconnecter, MC4-Evo 2
Order No.	8000111429
Type	PVC DC 2I 10 4MPP RD EVO 11
GTIN (EAN)	4099986853614
Qty.	1 items

PVC DC 2I 10 4MPP RD EVO 11

Weidmüller Interface GmbH & Co. KG
 Klingenbergstraße 26
 D-32758 Detmold
 Germany

www.weidmueller.com

Technical data

Approvals

Approvals



ROHS Conform

Dimensions and weights

Depth	132 mm	Depth (inches)	5.1968 inch
Height	239 mm	Height (inches)	9.4094 inch
Width	400 mm	Width (inches)	15.748 inch
Net weight	5010 g		

Temperatures

Ambient temperature -20 °C...50 °C Humidity 5...95 %, no condensation

Environmental Product Compliance

RoHS Compliance Status	Compliant with exemption
RoHS Exemption (if applicable/known)	7a, 7cl
REACH SVHC	Lead 7439-92-1
SCIP	bdab5698-6a20-4370-8e28-8810d882d01a

Included in delivery

Included accessories	Article	Mounting foot
	Quantity	4
	Article	Sealing plug
	Quantity	1

Approvals and norms

Approvals EN 61439-2, IEC 61439-2, OVE-Directive R 11-1:2022-05-01

Guarantee

Time interval 5 years

Electrical characteristics

Rated DC voltage	1100 V
Rated short-term current resistance	Rated current 51.25 A
Current per Maximum Power Point, max.	41 A
Rated DC current per connection	Current per string, max. 41.00 A

Enclosure

Insulating material	Polyester glass-fibre reinforced, Polycarbonate	Type of mounting	Fixing lugs
Impact resistance	IK08 in accordance with IEC 62208, IK10 in accordance with IEC 62262	Enclosure attachment	Via mounting feet

PVC DC 2I 10 4MPP RD EVO 11

Weidmüller Interface GmbH & Co. KG
 Klingenbergstraße 26
 D-32758 Detmold
 Germany

www.weidmueller.com

Technical data

Protection class	II	Connection type string	Plug MC4-Evo 2
------------------	----	------------------------	----------------

General data

Protection degree	IP65	Installation location	Protected outdoor area (Land and Sea)
-------------------	------	-----------------------	---------------------------------------

Inputs

Amount of maximum power points (MPP)	4		
Number of conduit inlets	3		
DC Input + & -	Wire connection	Type of connection	Stäubli MC4-Evo 2 connector
		Wire cross-section, min.	2.5 mm ²
		Wire cross-section, max.	6 mm ²
	Cable entry	Number of cable entries	8
Fuse type	Neither fuse cartridge nor holder		
Fuses	No		
Max. number of DC inputs	per Maximum Power Point 2 inputs connected in parallel		
Number of string inputs per MPP	≤ 2		
Number of inputs	8		

Outputs

Max. number of DC outputs	per Maximum Power Point 1 output		
DC Output + & -	Wire connection	Type of connection	Stäubli MC4-Evo 2 connector
		Compatible cable crossection	TÜV 2 Pfg1169/08.07
		Wire cross-section, min.	2.5 mm ²
		Wire cross-section, max.	6 mm ²

Remote disconnecter

Automatic reclosing after voltage drop	Yes		
Number of operating cycles	10000		
Control voltage	100 V AC - 250 V AC 50/60Hz		
Remote disconnecter auxiliary contact	Cable entry	Number of cable entries	1
		Wire connection	Type of connection
	Wire connection	Flexible, max. H05(07) V-K	1.5 mm ²
		w. wire end ferrule, DIN 46228 pt 1, max.	1.5 mm ²
Remote disconnecter control contact	Cable entry	Number of cable entries	1
		Wire connection	Type of connection
	Wire connection	Flexible, max. H05(07) V-K	1.5 mm ²
		w. wire end ferrule, DIN 46228 pt 1, max.	1.5 mm ²
Type of power circuit disconnection	Under voltage tripping		
Turn-off time	<5 s		

PVC DC 2I 10 4MPP RD EVO 11

Weidmüller Interface GmbH & Co. KG
 Klingenbergstraße 26
 D-32758 Detmold
 Germany

www.weidmueller.com

Technical data

Turn-on time	<18 s when the control unit was completely discharged	
Current consumption of switch	Type of switch	Fireman switch
	Current consumption, note	The Peak current only arises for a short time when the capacitors of the fireman switch were previously completely discharged.
	Current consumption peak	300 mA
	Current consumption continuous	30 mA
Number of breaking operation cycles at rated current	300	
Switch disconnecter execution	Remote disconnecter inside enclosure	
Switching disconnecter capacity	DC-PV1, IEC 60947-3	

Classifications

ETIM 8.0	EC003857	ETIM 9.0	EC003857
ETIM 10.0	EC003857	ECLASS 14.0	22-57-02-92
ECLASS 15.0	22-57-02-92		

Tender specification sheets

Long specification	<p>Combiner box for inverters with Fireman switch for the connection to 4 MPP tracker.</p> <p>Suitable for remote disconnection of the DC side by the fire department according to VDE-AR-E2100-712.</p> <p>Max. string voltage Uoc: 1100 VDC MPP1:</p> <p>2 inputs, connection via MC4-Evo 2 connector, compatible with cable type TÜV 2 Pfg1 169/08.07 / EN 50618:2063</p> <p>1 output, connection via MC4-Evo 2 connector, compatible with cable type TÜV 2 Pfg1 169/08.07 / EN 50618:2063</p> <p>MPP2 to 4: identical to MPP1 DC fireman switch:</p> <p>Switching off by undervoltage tripping.</p> <p>Switching off by reaching a temperature of ≥ 100 °C in the housing.</p> <p>Automatic reconnection after the control voltage (230 V AC) is applied again.</p> <p>With signal contact.</p> <p>Connection of the fireman switch control line 230 VAC via M16 cable glands (Clamping range 5-10 mm\varnothing) max. conductor cross-section: 1.5 mm².</p> <p>Connection of the signal contact 24 VDC (max. 300 mA) via M16 cable glands (Clamping range 5-10</p>
--------------------	---

PVC DC 2I 10 4MPP RD EVO 11

Weidmüller Interface GmbH & Co. KG
Klingenbergstraße 26
D-32758 Detmold
Germany

Technical data

www.weidmueller.com

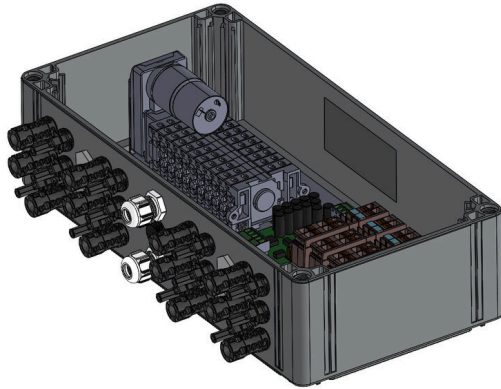
mmØ) max. conductor
cross-section: 1.5 mm².
Protection class: IP65.
All built into a glas fibre
reinforced polyester
housing. Dimensions
HxWxD: 239x400x132
mm. Approval according to
low voltage switchgear IEC
61439-1 and EN 61439-2

PVC DC 2I 10 4MPP RD EVO 11

Weidmüller Interface GmbH & Co. KG
Klingenbergstraße 26
D-32758 Detmold
Germany

Drawings

www.weidmueller.com



PVC DC 2I 10 4MPP RD EVO 11

Weidmüller Interface GmbH & Co. KG
 Klingenbergstraße 26
 D-32758 Detmold
 Germany

www.weidmueller.com

Accessories

PV Weather protection



General ordering data

Type	PV SUNCOVER 20/40/13	Version	
Order No.	8000143247	Photovoltaics, Sun cover	
GTIN (EAN)	4099987 111867		
Qty.	1 ST		

Cutting tools



Cutting tools for conductors up to 8 mm, 12 mm, 14 mm and 22 mm outside diameter. The special blade geometry allows pinch-free cutting of copper and aluminium conductors with minimum physical effort. The cutting tools (KT 8 to KT 22) also come with VDE and GS-tested protective insulation up to 1,000 V in accordance with EN/IEC 60900.

General ordering data

Type	KT 14	Version	
Order No.	1157820000	Cutting tools, Cutting tool for one-hand operation	
GTIN (EAN)	4032248945344		
Qty.	1 ST		

Tools



- For flexible and solid conductors with special insulating materials
- High-quality stripping for industrial applications (complies with aircraft industry requirements)
- Specially shaped blades enable stripping of special types of insulation and conductor configurations
- Stripping length adjustable via end stop
- Very versatile thanks to interchangeable stripping units
- Stripping results reproduced accurately over and over again
- No damage to the conductor
- A long-lasting, reliable tool thanks to its sturdy design
- Integrated cutting function

PVC DC 2I 10 4MPP RD EVO 11

Weidmüller Interface GmbH & Co. KG
 Klingenbergstraße 26
 D-32758 Detmold
 Germany

www.weidmueller.com

Accessories

General ordering data

Type	MULTI-STRIPAX PV	Version	
Order No.	1190490000	Version	Photovoltaics, Plug-in connector
GTIN (EAN)	4032248973262		
Qty.	1 ST		

Crosshead screwdriver Phillips



VDE insulated crosshead screwdriver, for Phillips screws, SDIK PH DIN 7438, ISO 8764/2-PH, output to ISO 8764-PH, SoftFinish grip

General ordering data

Type	SDIK PH3 X 150	Version	
Order No.	2749910000	Version	Screwdriver, Blade width (B): 3 mm, 150 mm, Blade thickness (A): 3
GTIN (EAN)	4050118897210		
Qty.	1 ST		

Slotted screwdriver



VDE insulated slot-head screwdriver, SDI DIN 7437, ISO 2380/2, drive output acc. to DIN 5264, ISO 2380/1. SoftFinish grip

General ordering data

Type	SDIS 0.6X3.5X100	Version	
Order No.	2749810000	Version	Screwdriver, Blade width (B): 3.5 mm, Blade length: 100 mm, Blade thickness (A): 0.6 mm
GTIN (EAN)	4050118897012		
Qty.	1 ST		
Type	SDIS 1.0X5.5X125	Version	
Order No.	2749850000	Version	Screwdriver, Blade width (B): 5.5 mm, Blade length: 125 mm, Blade thickness (A): 1 mm
GTIN (EAN)	4050118897050		
Qty.	1 ST		

PVC DC 2I 10 4MPP RD EVO 11

Weidmüller Interface GmbH & Co. KG
 Klingenbergstraße 26
 D-32758 Detmold
 Germany

www.weidmueller.com

Accessories

External fixing lugs



External attachment lugs 4-part set

General ordering data

Type	MF FPC	Version	
Order No.	9536040000	FPC (polycarbonate empty enclosure), Mounting foot, Fixing lugs,	
GTIN (EAN)	4032248009442	Height: 40 mm, Width: 19 mm, Depth: 35.5 mm, Basic material:	
Qty.	1 ST	Polyamide, Polyamide 66, Light Grey	

UV-resistant cable ties



UV-resistant polyamide 6.6 ensures long durability of our special cable ties even with strong UV radiation. Ideal for continuous outdoor use.

General ordering data

Type	CB-UVR 290/4,5 BK	Version	
Order No.	2659350000	Cable ties, 4.5 x 290 mm, Polyamide 66, 220 N	
GTIN (EAN)	4050118682816		
Qty.	100 ST		

Y-Connector Cables



The Y cable is used for the parallel connection of several strings in a PV system, e.g. for splitting a line in front of an inverter.
 The cables are available in different connection variants.

General ordering data

Type	PVHYM-M-XXXX6W+11	Version	
Order No.	2877850000	Photovoltaics, Y-Connector Cable, 1x WM4 C Female, 2x MC4 Male,	
GTIN (EAN)	4064675666417	6mm ² , 1100 V	
Qty.	1 ST		

PVC DC 2I 10 4MPP RD EVO 11

Weidmüller Interface GmbH & Co. KG
 Klingenbergstraße 26
 D-32758 Detmold
 Germany

www.weidmueller.com

Accessories

Type	PVHYM+M+XXXX6W-11	Version	
Order No.	2877860000	Photovoltaics, Y-Connector Cable, 1x WM4 C Male, 2x MC4 Female,	
GTIN (EAN)	4064675666424	6mm², 1100 V	
Qty.	1 ST		

Emergency stop button



General ordering data

Type	AC SB E 5A 1POL PO 06KV	Version	
Order No.	3077660000	Photovoltaics, Emergency stop button, 1 pole, 600 V AC, 5 A,	
GTIN (EAN)	4099987081887	Complete enclosure	
Qty.	1 ST		

Sealing sets



General ordering data

Type	BLINDPLUG SET5 7X28MM	Version	
Order No.	3077670000	Photovoltaics, Blind plug	
GTIN (EAN)	4099987081894		
Qty.	1 ST		
Type	BLINDPLUG SET50 7X28MM	Version	
Order No.	3077650000	Photovoltaics, Blind plug, Accessories, Blind plug, 50 pieces	
GTIN (EAN)	4099987081870		
Qty.	1 ST		