

**KEBIHS303015S2NO AL****Weidmüller Interface GmbH & Co. KG**

Klingenbergstraße 26

D-32758 Detmold

Germany

[www.weidmueller.com](http://www.weidmueller.com)

The new Klippon® EBi enclosure series has been specially designed for use in industrial environments. It reliably meets all requirements for use in harsh environments and is characterised by attractive performance features. The cost-effective stainless steel enclosures allow a very economical calculation and are also suitable for projects with a limited budget. In addition to Klippon® EBi for industrial applications, there is Klippon® EBx for hazardous areas. Enclosures with cULus approvals are available on request.

**General ordering data**

Version	Klippon EBi HS (Essential Box industrial - Hinged Screws), Enclosures, Height: 300 mm, Width: 300 mm, Depth: 150 mm, Basic material: Stainless steel 1.4301 (304), untreated, silver
Order No.	<a href="#">8000090343</a>
Type	KEBIHS303015S2NO AL
GTIN (EAN)	4064675855477
Qty.	1 items

## KEBIHS303015S2N0 AL

Weidmüller Interface GmbH & Co. KG  
Klingenbergstraße 26  
D-32758 Detmold  
Germany

www.weidmueller.com

## Technical data

## Approvals

Approvals



ROHS Conform

## Dimensions and weights

Depth	150 mm	Depth (inches)	5.9055 inch
Height	300 mm	Height (inches)	11.811 inch
Width	300 mm	Width (inches)	11.811 inch
Net weight	4900.72 g		

## Temperatures

Operating temperature -40 °C...85 °C

## Environmental Product Compliance

RoHS Compliance Status Compliant without exemption  
REACH SVHC No SVHC above 0.1 wt%

## Cable glands, left

M12	48	M16	27
M32	10	M25	12
M20	14	M40	4

## Cable glands, right

M25	12	M16	27
M40	4	M32	10
M20	14	M12	48

## Cable glands, top/bottom

M20	14	M12	33
M40	3	M32	4
M25	6	M16	18

## Certificate numbers enclosure

Declaration of Conformity No. (DoC LVD) DE PS2650 220428 001ISS01

## General information

Material thickness of cover	1.5 mm	Material thickness of enclosure	1.5 mm
Silicone	No	Operating temperature, max.	85 °C
Operating temperature, min.	-40 °C	Lid attachment	M5 hexagonal screw with slot and 10mm distance across flats + hinge
Surface finish	untreated	Impact resistance	10 J version standard

## KEBIHS303015S2N0 AL

**Weidmüller Interface GmbH & Co. KG**  
 Klingenbergstraße 26  
 D-32758 Detmold  
 Germany

[www.weidmueller.com](http://www.weidmueller.com)

## Technical data

Protection degree	IP66	Basic material	Stainless steel 1.4301 (304)
Seal material	Chloroprene	Enclosure attachment	Installation through the housing rear wall
Note: protection class	IP protection is only given after wall mounting using the enclosed sealing washers.	Flange plate	No

### horizontal assembly

WDU 10 / ZDU 10	1x20	WDU 16 / ZDU 16	1x16
WDU 2,5 / ZDU 2,5 / IDU 2,5	2x40	WDU 35 / ZDU 35	1x12
WDU 4 / ZDU 4	2x33	WDU 6 / ZDU 6	2x25

### vertical assembly

WDU 10 / ZDU 10	1x20	WDU 16 / ZDU 16	1x17
WDU 2,5 / ZDU 2,5 / IDU 2,5	1x41	WDU 35 / ZDU 35	1x12
WDU 4 / ZDU 4	1x34	WDU 6 / ZDU 6	1x25

### Classifications

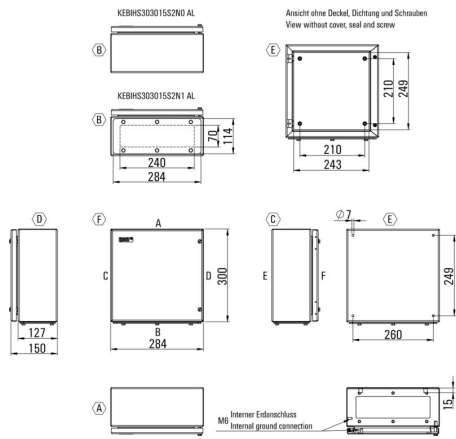
ETIM 8.0	EC000261	ETIM 9.0	EC000261
ETIM 10.0	EC000261	ECLASS 14.0	27-18-01-01
ECLASS 15.0	27-18-01-01		

**KEBIHS303015S2N0 AL**

**Weidmüller Interface GmbH & Co. KG**  
 Klingenbergstraße 26  
 D-32758 Detmold  
 Germany

**Drawings**

www.weidmueller.com



**KEBIHS303015S2N0 AL**

**Weidmüller Interface GmbH & Co. KG**  
 Klingenbergstraße 26  
 D-32758 Detmold  
 Germany

www.weidmueller.com

**Accessories**

**Mounting plates**



Mounting plates, with and without hole patterns, for longitudinal and transverse mounting of DIN mounting rails or components directly onto the mounting plate.

**General ordering data**

Type	KEB MOPL 3030 S2N H	Version	
Order No.	<a href="#">8000074316</a>	Klippon EB (Essential Box), Mounting plate, Height: 240 mm, Width: 240 mm, Depth: 1.5 mm, Basic material: Stainless steel 1.4301 (304), untreated, silver	
GTIN (EAN)	4064675425267		
Qty.	1 ST		
Type	KEB MOPL 3030 MSZN	Version	
Order No.	<a href="#">8000074171</a>	Klippon EB (Essential Box), Mounting plate, Height: 240 mm, Width: 240 mm, Depth: 1.5 mm, Basic material: Sheet steel, galvanized, silver	
GTIN (EAN)	4064675425168		
Qty.	1 ST		

**Mounting feet**



With the additionally available mounting feet, the enclosures can also be mounted from outside the enclosure.

**General ordering data**

Type	KEB MOFT SMALL S4 SET	Version	
Order No.	<a href="#">2660200318</a>	Klippon EB (Essential Box), Mounting foot, Height: 38 mm, Width: 55 mm, Depth: 10.5 mm, Basic material: Steel, untreated, silver	
GTIN (EAN)	4064675275695		
Qty.	1 ST		

**Document holders**



Document holders for the proper storage of documents in the enclosure.

## KEBIHS303015S2N0 AL

**Weidmüller Interface GmbH & Co. KG**  
 Klingenbergstraße 26  
 D-32758 Detmold  
 Germany

www.weidmueller.com

## Accessories

### General ordering data

Type	DOHA KEB A6 S4B R	Version
Order No.	<a href="#">8000075807</a>	Klippon EB (Essential Box), Enclosures, Riveted, Height: 95 mm,
GTIN (EAN)	4064675425359	Depth: 20 mm, Basic material: Stainless steel 1.4404, silver
Qty.	1 ST	

### Spacer



Stainless steel spacers in three lengths to increase the distance between the mounting rails or DIN rails and the rear wall of the enclosure.

### General ordering data

Type	SP M6 15 MSZN	Version
Order No.	<a href="#">3896100000</a>	Klippon EB (Essential Box), Spacer, Height: 11.2 mm, Width: 10 mm,
GTIN (EAN)	4008190857851	Depth: 15 mm, Basic material: Steel, silver
Qty.	2 ST	
Type	SP M6 20 MSZN	Version
Order No.	<a href="#">3896200000</a>	Klippon EB (Essential Box), Spacer, Height: 11.2 mm, Width: 10 mm,
GTIN (EAN)	4008190850234	Depth: 20 mm, Basic material: Steel, silver
Qty.	2 ST	
Type	SP M6 30 MSZN	Version
Order No.	<a href="#">3896300000</a>	Klippon EB (Essential Box), Spacer, Height: 11.2 mm, Width: 10 mm,
GTIN (EAN)	4008190850241	Depth: 30 mm, Basic material: Steel, silver
Qty.	2 ST	

### Type label holder



There are a variety of designed label holders available for prominent display as required and for additional nameplates as needed.

### General ordering data

Type	TPSDHA KEB 100X25 S4B R	Version
Order No.	<a href="#">8000075818</a>	Klippon EB (Essential Box), Enclosures, Riveted, Height: 25 mm,
GTIN (EAN)	4064675425632	Width: 141 mm, Depth: 16.5 mm, Basic material: Stainless steel
Qty.	1 ST	1.4404 (316L), Brushed, silver
Type	TPSDHA KEB 130X50 S4B R	Version
Order No.	<a href="#">8000075816</a>	Klippon EB (Essential Box), Enclosures, Riveted, Height: 50 mm,
GTIN (EAN)	4064675425366	Width: 171 mm, Depth: 16.5 mm, Basic material: Stainless steel
Qty.	1 ST	1.4404 (316L), Brushed, silver

## KEBIHS303015S2N0 AL

**Weidmüller Interface GmbH & Co. KG**  
 Klingenbergstraße 26  
 D-32758 Detmold  
 Germany

www.weidmueller.com

## Accessories

## Mounting plates



Mounting plates, with and without hole patterns, for longitudinal and transverse mounting of DIN mounting rails or components directly onto the mounting plate.

## General ordering data

Type	GFSC M5X10 TX20 SET	Version	
Order No.	<a href="#">1274150000</a>	Klippon EB (Essential Box), Mounting screw, Height: 13.3 mm, Width: 8.5 mm, Depth: 8.5 mm, Basic material: Steel, galvanized, galvanic	
GTIN (EAN)	4050118063820	zinc plated and passivated, silver	
Qty.	1 ST		

## Installation material



Integrate, expand and customise - the perfect supplement to every application

The fully structured range of system accessories for the new Klippon® TB enclosure series allows you to easily adapt the enclosures to meet the specific requirements of every application.

Mounting hardware kits

Mounting hardware kits are available for quick and easy installation of type label holders, document holders and rain hoods.

The label fastening set – SD is required to install a plastic (Trafolyte) ID or type label. With the aid of this set can you mount the ID or type label directly on the enclosure cover. The label fastening set has been specially developed for this purpose. Only by using this fastening set can you ensure that there will be no leaks into the enclosure or damage to the label.

The universal fastening set – TPSD has been developed to enable secure and quick installation of type label holders, rain covers or document holders, for example. By using this fastening set, the risk of leaks can be minimised, if not avoided.

## General ordering data

Type	LKSC M6X8 A2 TX30	Version	
Order No.	<a href="#">2704960000</a>	Klippon TB (Terminal Box), Set of fixings, Height: 11.3 mm, Width: 13.6 mm, Depth: 13.6 mm, Basic material: Stainless steel, rust-proof,	
GTIN (EAN)	4050118753196	untreated, silver	
Qty.	500 ST		

**KEBIHS303015S2N0 AL**

**Weidmüller Interface GmbH & Co. KG**  
Klingenbergstraße 26  
D-32758 Detmold  
Germany

www.weidmueller.com

**Accessories****Slotted screwdriver**

VDE insulated screwdriver sets, for working on live parts up to 1000 V AC and 1500 V DC, DIN EN 60900. IEC 900. Each piece is "GS" safety tested. Blade made from fully hardened, high-alloy chromium-vanadium-molybdenum steel, gun-metal finish.

**General ordering data**

Type	SDIS SLIM 1.2X6.5X150	Version	
Order No.	<a href="#">2749640000</a>	Mounting tool, Blade width (B): 6.5 mm, Blade length: 150 mm, Blade	
GTIN (EAN)	4050118896381	thickness (A): 1.2 mm	
Qty.	1 ST		