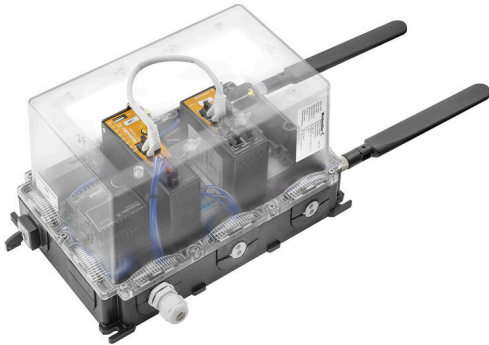


## FP IOT MD02 4EU S3 00000

**Weidmüller Interface GmbH & Co. KG**  
Klingenbergstraße 26  
D-32758 Detmold  
Germany

[www.weidmueller.com](http://www.weidmueller.com)



### Features of IoT-Gateways

- Enables machine data acquisition and provides access to field devices and PLC's via various protocols and interfaces
- Interfaces to your own IT systems as well as to common cloud systems
- Data traffic reduction through preprocessing on edge via the open IoT standard Node-RED
- Secure and easy remote maintenance with Weidmüller u-link Remote Access Service
- Integration of most common communication interfaces in small design
- Open programming platform Node-RED with strong community support

### General ordering data

Version	FieldPower® IoT-Box, LAN, IE Switch, Wireless, IP54
Order No.	<a href="#">8000058282</a>
Type	FP IOT MD02 4EU S3 00000
GTIN (EAN)	4064675384625
Qty.	1 items

## FP IOT MD02 4EU S3 00000

**Weidmüller Interface GmbH & Co. KG**  
 Klingenbergstraße 26  
 D-32758 Detmold  
 Germany

www.weidmueller.com

## Technical data

### Approvals

Approvals



ROHS Conform

### Dimensions and weights

Depth	155 mm	Depth (inches)	6.1024 inch
Height	521 mm	Height (inches)	20.5118 inch
Width	228 mm	Width (inches)	8.9764 inch
Net weight	3350 g		

### Temperatures

Storage temperature	-40 °C...85 °C	Operating temperature	-20 °C...40 °C
Humidity	5...95 %, no condensation		

### Environmental Product Compliance

RoHS Compliance Status	Compliant with exemption
RoHS Exemption (if applicable/known)	6c, 7a, 7cl
REACH SVHC	Lead 7439-92-1, Potassium perfluorobutane sulfonate 29420-49-3, Lead monoxide 1317-36-8
SCIP	d6f9e3fe-0f29-41d1-a537-4e62eab21ef2

### Input

Recommended back-up fuse	2 A / DI, safety fuse 6 A, Char. B, circuit breaker 2...4 A, Char. C circuit breaker	Frequency range AC	45...65 Hz
Input voltage (voltage mode input)	85...264 V AC (derating at 100 V AC), optional 24 V external feed-in	Input fuse (internal)	Yes
AC current consumption	0.5 A @ 230 V AC / 1.0 A @ 100 V AC	Inrush current	max. 40 A

### Output

Connection system	PUSH IN	Output voltage type	DC
Output voltage	optional: max. 800 mA / 24 V		

### Cable gland

Number of cable glands	1	Cable gland clamping area, min.	6 mm
Cable gland material	Polyamide 6	Cable gland clamping area, max.	12 mm

### General data

UL 94 flammability rating V-0

### Power supply

Supply voltage 24 V DC

**FP IOT MD02 4EU S3 00000**

**Weidmüller Interface GmbH & Co. KG**  
 Klingenbergstraße 26  
 D-32758 Detmold  
 Germany

www.weidmueller.com

**Technical data**

**System data**

Processor	Dual Core ARM Cortex A9, 600 MHz	Memory (Flash)	4 GB
Real-time clock	Capacity buffered (max. 5 days)		

**General specifications**

Installation advice	Lid screws included	Protection degree	IP54
Basic material	Polycarbonate, glass fibre reinforced, Polycarbonate	Colour	black, Transparent
UL 94 flammability rating	V-0	Lid attachment	TX20 screws
Torque for lid screws	2 Nm	Enclosure attachment	Fixing lugs

**Input**

Recommended back-up fuse	2 A / DI, safety fuse 6 A, Char. B, circuit breaker 2...4 A, Char. C circuit breaker	Frequency range AC	45...65 Hz
Input voltage (voltage mode input)	85...264 V AC (derating at 100 V AC), optional 24 V external feed-in	AC current consumption	0.5 A @ 230 V AC / 1.0 A @ 100 V AC
Inrush current	max. 40 A	Input fuse (internal)	Yes

**Output**

Output voltage type	DC	Output voltage	optional: max. 800 mA / 24 V
---------------------	----	----------------	------------------------------

**Clamping capacity**

Connection data - terminal strip	Wire connection method	PUSH IN		
	Conductor connection cross-section, solid, max.	2.5 mm <sup>2</sup>		
	Conductor connection cross-section, solid, min.	0.50 mm <sup>2</sup>		
	Conductor connection cross-section, stranded, max.	2.50 mm <sup>2</sup>		
	Conductor connection cross-section, stranded, min.	0.50 mm <sup>2</sup>		
	Conductor connection cross-section, finely stranded, max.	2.50 mm <sup>2</sup>		
	Conductor connection cross-section, finely stranded, min.	0.50 mm <sup>2</sup>		
	Conductor connection cross-section, finest stranded, max.	2.50 mm <sup>2</sup>		
	Conductor connection cross-section, finest stranded, min.	0.50 mm <sup>2</sup>		
	Conductor connection cross-section with wire end ferrule	Type of wire end ferrule	12 mm with plastic collar	
		Standard	DIN 46228/1	
		Cross-section, min.	0.5 mm <sup>2</sup>	
		Cross-section, max.	2.5 mm <sup>2</sup>	
		Type of wire end ferrule	12 mm with plastic collar	
		Standard	DIN 46228/4	
	Cross-section, min.	0.5 mm <sup>2</sup>		
	Cross-section, max.	2.5 mm <sup>2</sup>		
	Type of wire end ferrule	8 mm with plastic collar		

## FP IOT MD02 4EU S3 00000

**Weidmüller Interface GmbH & Co. KG**  
 Klingenbergstraße 26  
 D-32758 Detmold  
 Germany

www.weidmueller.com

## Technical data

Standard	DIN 46228/1
Cross-section, min.	0.5 mm <sup>2</sup>
Cross-section, max.	2.5 mm <sup>2</sup>
Type of wire end ferrule	8 mm with plastic collar ferrule
Standard	DIN 46228/4
Cross-section, min.	0.5 mm <sup>2</sup>
Cross-section, max.	2.5 mm <sup>2</sup>
Type of wire end ferrule	Twin wire-end ferrules
Cross-section, min.	0.5 mm <sup>2</sup>
Cross-section, max.	2.5 mm <sup>2</sup>

## System data

Memory (RAM)	1 GB, DDR3	Processor	Dual Core ARM Cortex A9, 600 MHz
Memory (Flash)	4 GB	Real-time clock	Capacity buffered (max. 5 days)

## Mobile radio interface

Transmission rate mobile radio	LTE category	CAT 4
	Download rate, max.	150 Mbit/s
	Upload rate, max.	50 Mbit/s
Wireless module	LTE / HSPA+ multiband wireless module (4G / 3G / 2G) for fast wireless Internet access	
Frequency band	LTE: 2100MHz (B1), 1800MHz (B3), 850MHz (B5), 2600MHz (B7), 900MHz (B8), 800MHz (B20), 2600MHz (B38), 2300MHz (B40), 2600MHz (B41), UMTS/WCDMA: 2100MHz (B1), 850MHz (B5), 900MHz (B8), GSM/GPRS/EDGE: 900MHz (B8), 1800MHz (B3)	

## VPN

u-link	OpenVPN-based remote access service via the Weidmüller u-link cloud
--------	---------------------------------------------------------------------

## Environmental conditions

Operating temperature, max.	40 °C	Operating temperature, min.	-20 °C
Humidity	5...95 %, no condensation	Storage temperature, max.	85 °C
Storage temperature, min.	-40 °C		

## Interfaces

Ethernet ports	2	RJ45 ports	10/100/1000BaseT(X), auto negotiation, Full-/half-duplex mode, Auto MDI/MDI-X port
Number of ports	8x RJ45 10/100BaseT(X), 1x RS-232	Digital outputs	1x, 19.2 - 28 V high; max. 1 A
Digital inputs	2x, >10 V high, <3.6 V low; max. 30 V DC	SIM-Card slot type	Micro-SIM
Connector for external antennas	SMA (socket)	USB port	1x USB 2.0 (Type A; max. 500 mA)
Serial port	1x RS232/RS485	Number of SIM-Card slots	1

## Power supply

Supply voltage	24 V DC
Inrush current	max. 40 A

## FP IOT MD02 4EU S3 00000

**Weidmüller Interface GmbH & Co. KG**  
 Klingenbergstraße 26  
 D-32758 Detmold  
 Germany

[www.weidmueller.com](http://www.weidmueller.com)

## Technical data

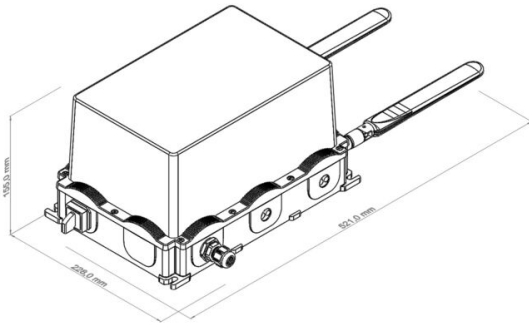
Voltage supply range	Voltage type	DC
	Voltage, min.	19.2 V
	Voltage, max.	28 V
Current consumption	Voltage	24 V
	Current	0.24 A

### Technical data

Colour	black, Transparent	Housing main material	Polycarbonate glass fiber reinforced
Type of mounting	Screw mounting, Fixing lugs	Protection degree	IP54
Speed	Fast Ethernet		

### Classifications

ETIM 8.0	EC001099	ETIM 9.0	EC001099
ETIM 10.0	EC001099	ECLASS 14.0	19-17-05-90
ECLASS 15.0	19-17-05-90		



## FP IOT MD02 4EU S3 00000

**Weidmüller Interface GmbH & Co. KG**  
 Klingenbergstraße 26  
 D-32758 Detmold  
 Germany

www.weidmueller.com

## Accessories

## angled with cable gland



RJ45 plug-in connector (no tools required) according to IEC 60603-7-51.

## General ordering data

Type	IE-PS-RJ45-FH-90-P-1.6	Version	
Order No.	<a href="#">1518100000</a>	Version	RJ45 plug with piercing contacts, angled, 4x90°, Cat.5 (ISO/IEC 11801), PROFINET
GTIN (EAN)	4050118325232		
Qty.	1 ST		

## Slotted screwdriver



VDE insulated slot-head screwdriver, SDI DIN 7437, ISO 2380/2, drive output acc. to DIN 5264, ISO 2380/1. SoftFinish grip

## General ordering data

Type	SDIS 0.6X3.5X100	Version	
Order No.	<a href="#">2749810000</a>	Version	Screwdriver, Blade width (B): 3.5 mm, Blade length: 100 mm, Blade thickness (A): 0.6 mm
GTIN (EAN)	4050118897012		
Qty.	1 ST		

## DMS PRO



Weidmüller torque screwdrivers have an ergonomic design and are therefore ideal for use with one hand. They can be used without causing fatigue in all installation positions. Apart from that, they incorporate an automatic torque limiter and have a good reproducibility accuracy.

## General ordering data

Type	DMS PRO	Version	
Order No.	<a href="#">1479120000</a>	Version	Mounting tool
GTIN (EAN)	4050118287011		
Qty.	1 ST		

## Accessories

### Bits E6,3 - Torx®



The Weidmüller bits are standard bits which are highly popular with users thanks to their good quality, large range and efficiency. The computer-controlled hardening method enables Weidmüller to guarantee a consistently high standard of quality.

The high-quality raw materials used make it possible to reach torques far higher than any of those specified in the relevant DIN standards:

- DIN 5261 for PH/PZ bits,
- DIN 5263 for slotted bits,
- Camcar standard for TORX bits

That means a long life at high torques and hence ideal conditions for standard situations.

The benefits:

- Suitable for all types of screws. Because of their excellent hardness values of 59-61 HRC, they are suitable for use with both manual and power tools.
- Good wearing resistance and thus a long life expectancy.
- Optimum fit in all DIN screws means low wear and optimum torque transmission.
- Manufactured to meet professional quality criteria according to relevant ISO standards with a consistently high standard of quality.

### General ordering data

Type	BIT E6,3 T20 X 150	Version	
Order No.	<a href="#">2821510000</a>	Mounting tool	
GTIN (EAN)	4064675359050		
Qty.	5 ST		