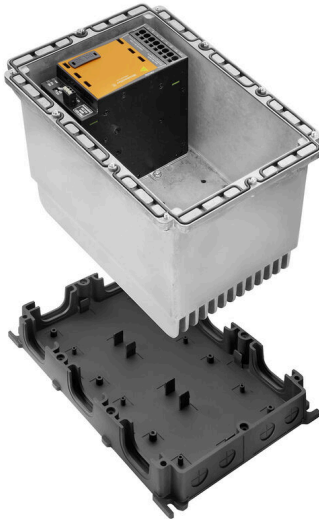


**FP PRO TOP1 48/10 3M****Weidmüller Interface GmbH & Co. KG**Klingenbergstraße 26  
D-32758 Detmold  
Germany

www.weidmueller.com



PROtop power supplies offer a wide range of functions with many advantages. These include high energy efficiency, outstanding power reserves, high reliability and optional communication capability. PROtop also supports direct parallel connection with load balancing. With the possibility of integrating our PROtop power supplies into the FieldPower® system, the entire range of functions becomes available in the field – with all the advantages of the FieldPower® modular system.

**General ordering data**

Version	FieldPower® power supply unit, IP65, in closed state, in complete state, 10A, 48 V, DC
Order No.	<a href="#">8000051770</a>
Type	FP PRO TOP1 48/10 3M
GTIN (EAN)	4050118770759
Qty.	1 items

## FP PRO TOP1 48/10 3M

**Weidmüller Interface GmbH & Co. KG**  
 Klingenbergstraße 26  
 D-32758 Detmold  
 Germany

www.weidmueller.com

## Technical data

### Approvals

ROHS	Conform
------	---------

### Dimensions and weights

Depth	220 mm	Depth (inches)	8.6614 inch
Height	196 mm	Height (inches)	7.7165 inch
Width	284 mm	Width (inches)	11.1811 inch
Net weight	5841 g		

### Temperatures

Storage temperature	-40 °C...85 °C	Operating temperature	-25 °C...50 °C
Operating temperature range	-25...50 °C	Start-up	≥ -40 °C
Humidity	35...85%, non condensing and non freezing		

### Environmental Product Compliance

RoHS Compliance Status	Compliant with exemption
RoHS Exemption (if applicable/known)	6c
REACH SVHC	Lead 7439-92-1, Potassium perfluorobutane sulfonate 29420-49-3
SCIP	7645f3b1-6db9-495d-9e21-ab1d894aff05

### Input

Surge protection	Varistor	Input fuse (internal)	Yes
Inrush current	max. 5 A		

### Output

Rated output voltage	48 V DC ± 1 %	Surge protection	Varistor
Output voltage type	DC	Output voltage, note	(adjustable via potentiometer)
Nominal output current for Unom	10 A @ 60 °C	Output current	10A
Output voltage	48 V		

### General data

Installation advice	Lid screws included	Humidity	35...85%, non condensing and non freezing
Protection degree	IP65, in closed state, in complete state	DIN Rail compatibility	No
Adjacent	No		

### Input

Surge protection	Varistor	Inrush current	max. 5 A
Input fuse (internal)	Yes		

### Output

Output voltage type	DC	Output voltage, note	(adjustable via potentiometer)
Output current	10A	Output voltage	48 V
Rated output voltage	48 V DC ± 1 %	Nominal output current for Unom	10 A @ 60 °C

**FP PRO TOP1 48/10 3M**

**Weidmüller Interface GmbH & Co. KG**  
Klingenbergstraße 26  
D-32758 Detmold  
Germany

[www.weidmueller.com](http://www.weidmueller.com)

**Technical data**

**Classifications**

ETIM 8.0	EC002540	ETIM 9.0	EC002540
ETIM 10.0	EC002540	ECLASS 14.0	27-04-07-01
ECLASS 15.0	27-04-07-01		

**FP PRO TOP1 48/10 3M**

**Weidmüller Interface GmbH & Co. KG**  
 Klingenbergstraße 26  
 D-32758 Detmold  
 Germany

www.weidmueller.com

**Drawings**

