

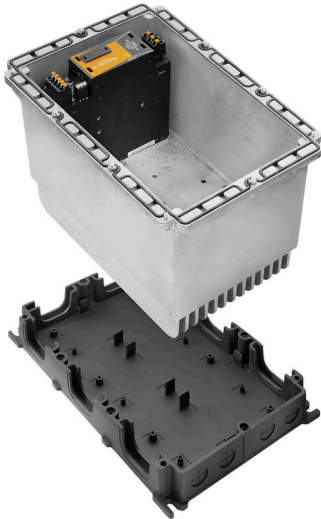
**FP PRO TOP1 24/10 3M****Weidmüller Interface GmbH & Co. KG**

Klingenbergstraße 26

D-32758 Detmold

Germany

www.weidmueller.com



PROtop power supplies offer a wide range of functions with many advantages.

These include high energy efficiency, outstanding power reserves, high reliability and optional communication capability. PROtop also supports direct parallel connection with load balancing. With the possibility of integrating our PROtop power supplies into the FieldPower® system, the entire range of functions becomes available in the field – with all the advantages of the FieldPower® modular system.

**General ordering data**

Version	FieldPower® power supply unit, IP65, in closed state, in complete state, 10A, 24 V, DC
Order No.	<a href="#">8000051702</a>
Type	FP PRO TOP1 24/10 3M
GTIN (EAN)	4050118770742
Qty.	1 items

## FP PRO TOP1 24/10 3M

Weidmüller Interface GmbH &amp; Co. KG

Klingenbergstraße 26

D-32758 Detmold

Germany

www.weidmueller.com

## Technical data

## Approvals

ROHS	Conform
------	---------

## Dimensions and weights

Depth	220 mm	Depth (inches)	8.6614 inch
Height	196 mm	Height (inches)	7.7165 inch
Width	284 mm	Width (inches)	11.1811 inch
Net weight	5248 g		

## Temperatures

Storage temperature	-40 °C...85 °C	Operating temperature	-25 °C...50 °C
Operating temperature range	-25...50 °C	Start-up	≥ -40 °C
Humidity	35...85%, non condensing and non freezing		

## Environmental Product Compliance

RoHS Compliance Status	Compliant with exemption
RoHS Exemption (if applicable/known)	6c
REACH SVHC	Lead 7439-92-1, Potassium perfluorobutane sulfonate 29420-49-3
SCIP	7645f3b1-6db9-495d-9e21-ab1d894aff05

## Input

Surge protection	Varistor	Input fuse (internal)	Yes
Inrush current	max. 5 A		

## Output

Rated output voltage	24 V DC ± 1 %	Surge protection	Varistor
Output voltage type	DC	Output voltage, note	(adjustable via potentiometer)
Nominal output current for Unom	10 A @ 60 °C	Output current	10A
Output voltage	24 V		

## General data

Installation advice	Lid screws included	Humidity	35...85%, non condensing and non freezing
Protection degree	IP65, in closed state, in complete state	DIN Rail compatibility	No
Adjacent	No		

## Input

Surge protection	Varistor	Inrush current	max. 5 A
Input fuse (internal)	Yes		

## Output

Output voltage type	DC	Output voltage, note	(adjustable via potentiometer)
Output current	10A	Output voltage	24 V
Rated output voltage	24 V DC ± 1 %	Nominal output current for Unom	10 A @ 60 °C

## FP PRO TOP1 24/10 3M

**Weidmüller Interface GmbH & Co. KG**  
Klingenbergstraße 26  
D-32758 Detmold  
Germany

[www.weidmueller.com](http://www.weidmueller.com)

## Technical data

### Classifications

ETIM 8.0	EC002540	ETIM 9.0	EC002540
ETIM 10.0	EC002540	ECLASS 14.0	27-04-07-01
ECLASS 15.0	27-04-07-01		

**FP PRO TOP1 24/10 3M**

**Weidmüller Interface GmbH & Co. KG**  
 Klingenbergstraße 26  
 D-32758 Detmold  
 Germany

[www.weidmueller.com](http://www.weidmueller.com)

**Drawings**



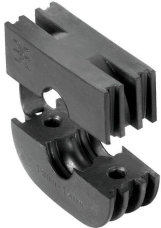
## FP PRO TOP1 24/10 3M

**Weidmüller Interface GmbH & Co. KG**  
 Klingenbergstraße 26  
 D-32758 Detmold  
 Germany

www.weidmueller.com

## Accessories

## Seals



Intelligent cabling solutions can save you valuable time and money.

The FieldPower® modular system contains the right solution for every cabling task.

Foldable seals for the use of pre-assembled cables  
 Seals available with M16 and M20 connection thread  
 Integration of operating and signalling devices into the seal possible

## General ordering data

Type	DG D0 PT6	Version
Order No.	<a href="#">4323240000</a>	Field Power® sealing insert, Blank seal, IP65, with corresponding
GTIN (EAN)	4032248641246	enclosure, EPDM
Qty.	10 ST	
Type	DG M16 PT6	Version
Order No.	<a href="#">2545540000</a>	Field Power® sealing insert, Seal with connection thread, IP65, with
GTIN (EAN)	4050118555523	corresponding enclosure, EPDM
Qty.	1 ST	
Type	DG M20 PT6	Version
Order No.	<a href="#">2545550000</a>	Field Power® sealing insert, Seal with connection thread, IP65, with
GTIN (EAN)	4050118555530	corresponding enclosure, EPDM
Qty.	1 ST	
Type	RKDG 2XD8.5 WG PT6	Version
Order No.	<a href="#">1114530000</a>	Field Power® sealing insert, Seal, IP54, with corresponding
GTIN (EAN)	4032248892624	enclosure, EPDM
Qty.	10 ST	
Type	RKDG D11 PT6	Version
Order No.	<a href="#">4323210000</a>	Field Power® sealing insert, Foldable seal, IP65 with corresponding
GTIN (EAN)	4032248641215	housing, IP65, with corresponding enclosure, EPDM
Qty.	10 ST	
Type	RKDG D13 PT6	Version
Order No.	<a href="#">4323230000</a>	Field Power® sealing insert, Foldable seal, IP65 with corresponding
GTIN (EAN)	4032248641239	housing, IP65, with corresponding enclosure, EPDM
Qty.	10 ST	
Type	RKDG D15 PT6	Version
Order No.	<a href="#">4323220000</a>	Field Power® sealing insert, Foldable seal, IP65 with corresponding
GTIN (EAN)	4032248641222	housing, IP65, with corresponding enclosure, EPDM
Qty.	10 ST	
Type	RKDG D17 PT6	Version
Order No.	<a href="#">4324010000</a>	Field Power® sealing insert, Foldable seal, IP65 with corresponding
GTIN (EAN)	4032248641284	housing, IP65, with corresponding enclosure, EPDM
Qty.	10 ST	
Type	RKDG D18 WG PT6	Version
Order No.	<a href="#">2491870000</a>	Field Power® sealing insert, Seal, IP54, with corresponding
GTIN (EAN)	4050118501537	enclosure, EPDM
Qty.	10 ST	
Type	RKDG D24 WG PT6	Version
Order No.	<a href="#">1069060000</a>	Field Power® sealing insert, Seal, IP54, with corresponding
GTIN (EAN)	4032248827053	enclosure, EPDM
Qty.	10 ST	

## FP PRO TOP1 24/10 3M

**Weidmüller Interface GmbH & Co. KG**  
 Klingenbergstraße 26  
 D-32758 Detmold  
 Germany

www.weidmueller.com

## Accessories

Type	RKDG D9 PT6	Version
Order No.	<a href="#">4329610000</a>	Field Power® sealing insert, Foldable seal, IP65 with corresponding
GTIN (EAN)	4032248668687	housing, IP65, with corresponding enclosure, EPDM
Qty.	10 ST	

## Fuse plug



Power distribution using uncut cables with cross-sections from 1.5 to 6 mm<sup>2</sup>.

Power supply / T-branch tap via PUSH IN connection (0.5 to 10 mm<sup>2</sup>) and/or plug-in connection (0.5 to 4 mm<sup>2</sup>).  
 Coloured markings provide clear assignment of wires.

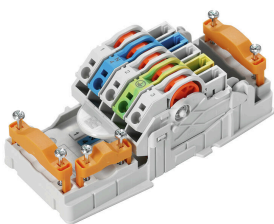
- Power supply
- Power distribution
- Power branching

## General ordering data

Type	PTSI 4/LD 36V AC/DC	Version
Order No.	<a href="#">1252210000</a>	Field Power® plug-in connector, Fuse, IP20, Polyamide, PUSH
GTIN (EAN)	4050118044331	IN, Number of poles : 5
Qty.	1 ST	

Type	PTSI 4/LD 400V AC	Version
Order No.	<a href="#">1961770000</a>	Field Power® plug-in connector, Fuse, IP20, Polyamide, PUSH
GTIN (EAN)	4032248641765	IN, Number of poles : 5
Qty.	1 ST	

## AC



Power distribution using uncut cables with cross-sections from 1.5 to 6 mm<sup>2</sup>.

Power supply / T-branch tap via PUSH IN connection (0.5 to 10 mm<sup>2</sup>) and/or plug-in connection (0.5 to 4 mm<sup>2</sup>).  
 Coloured markings provide clear assignment of wires.

- Power supply
- Power distribution
- Power branching

## General ordering data

Type	PT6	Version
Order No.	<a href="#">1957620000</a>	FieldPower® contact element, AC, IP20, Insulation displacement
GTIN (EAN)	4032248642489	connection (IDC), PUSH IN, Number of poles : 5
Qty.	1 ST	

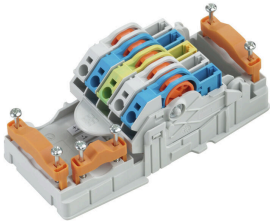
## FP PRO TOP1 24/10 3M

**Weidmüller Interface GmbH & Co. KG**  
 Klingenbergstraße 26  
 D-32758 Detmold  
 Germany

www.weidmueller.com

## Accessories

## DC



Power distribution using uncut cables with cross-sections from 1.5 to 6 mm<sup>2</sup>.

Power supply / T-branch tap via PUSH IN connection (0.5 to 10 mm<sup>2</sup>) and/or plug-in connection (0.5 to 4 mm<sup>2</sup>). Coloured markings provide clear assignment of wires.

- Power supply
- Power distribution
- Power branching

## General ordering data

Type	PT6 DC	Version	
Order No.	<a href="#">1126840000</a>	FieldPower® contact element, DC, IP20, Insulation displacement connection (IDC), PUSH IN, Number of poles : 5	
GTIN (EAN)	4032248908462		
Qty.	1 ST		

## Plastic lock nuts, grey



In addition to cable glands for a wide range of applications, the product portfolio is rounded off by plugs, pressure compensation elements, adaptors and the corresponding accessories such as locknuts, sealing rings, flat washers and earthing rings.

## General ordering data

Type	SKMU M20 - K GR	Version	
Order No.	<a href="#">1772460000</a>	SKMU PA (plastic locknut), Locknut, M 20, 6 mm, Polyamid 6 (PA6 - GF30)	
GTIN (EAN)	4032248130207		
Qty.	100 ST		

## IP68 version



In addition to the extensive range of enclosures, Weidmüller offers a variety of cable glands for a wide range of applications. The cable glands made of brass, plastic and stainless steel meet the most various IP protection classes to suit any industrial enclosure. Depending on the series of cable glands and the application, the cable glands are approved and tested according to VDE, UL, UR, cULus, DNV GL or EN 45545.

## General ordering data

Type	VG M20-1/K68	Version	
Order No.	<a href="#">1772300000</a>	VG K (standard plastic cable gland), Cable glands, straight, M 20, 10 mm, OD min. 6 - OD max. 12 mm, IP54, IP66, IP67, IP68 - 5 bar (30 min.), Polyamide 6	
GTIN (EAN)	4032248129966		
Qty.	50 ST		

## FP PRO TOP1 24/10 3M

**Weidmüller Interface GmbH & Co. KG**  
 Klingenbergstraße 26  
 D-32758 Detmold  
 Germany

www.weidmueller.com

## Accessories

Type	VG M20 - K 68	Version
Order No.	<a href="#">2811470000</a>	VG K (standard plastic cable gland), Cable glands, straight, M 20, 10
GTIN (EAN)	4064675292227	mm, OD min. 10 - OD max. 14 mm, IP54, IP66, IP67, IP68 - 5 bar (30
Qty.	50 ST	min.), Polyamide 6

## Plug-in connector



Power distribution using uncut cables with cross-sections from 1.5 to 6 mm<sup>2</sup>.

Power supply / T-branch tap via PUSH IN connection (0.5 to 10 mm<sup>2</sup>) and/or plug-in connection (0.5 to 4 mm<sup>2</sup>). Coloured markings provide clear assignment of wires.

- Power supply
- Power distribution
- Power branching

## General ordering data

Type	PTDS 4	Version
Order No.	<a href="#">1952130000</a>	Field Power® plug-in connector, 3-phase AC, IP20, Polyamide, PUSH
GTIN (EAN)	4032248632084	IN, Number of poles : 2 x 5
Qty.	10 ST	
Type	PTDS 4 DC	Version
Order No.	<a href="#">1009990000</a>	Field Power® plug-in connector, DC, IP20, Polyamide, PUSH IN,
GTIN (EAN)	4032248715244	Number of poles : 2 x 5
Qty.	10 ST	
Type	PTS 4	Version
Order No.	<a href="#">1952120000</a>	Field Power® plug-in connector, 3-phase AC, IP20, Polyamide, PUSH
GTIN (EAN)	4032248632909	IN, Number of poles : 5
Qty.	10 ST	
Type	PTS 4 DC	Version
Order No.	<a href="#">1131730000</a>	Field Power® plug-in connector, DC, IP20, Polyamide, PUSH IN,
GTIN (EAN)	4032248912117	Number of poles : 5
Qty.	10 ST	

## Terminal rails for lower parts of enclosure



Extensive range of accessories for the FieldPower® boxes.

Cable seals, terminal rails, locking elements and much more.

## General ordering data

Type	TS 35 PT6	Version
Order No.	<a href="#">1170690000</a>	Field Power® terminal rail, Steel, galvanized, 54 mm, for base part
GTIN (EAN)	4032248962532	
Qty.	10 ST	

## FP PRO TOP1 24/10 3M

**Weidmüller Interface GmbH & Co. KG**  
 Klingenbergstraße 26  
 D-32758 Detmold  
 Germany

www.weidmueller.com

## Accessories

Type	FP ENC DR07 142 XB	Version
Order No.	<a href="#">2633450000</a>	Field Power® terminal rail, Steel, galvanized, 142 mm, for base part
GTIN (EAN)	4050118664416	
Qty.	5 ST	
Type	FP ENC DR07 230 3B	Version
Order No.	<a href="#">2633460000</a>	Field Power® terminal rail, Steel, galvanized, 230 mm, for base part
GTIN (EAN)	4050118664409	
Qty.	5 ST	

### Terminal rails for aluminum cover



Extensive range of accessories for the FieldPower® boxes.  
 Cable seals, terminal rails, locking elements and much more.

### General ordering data

Type	FP ENC DR15 68 XC A	Version
Order No.	<a href="#">8000046634</a>	Field Power® terminal rail, Steel, galvanized, 68 mm, for aluminium
GTIN (EAN)	4050118686586	lid
Qty.	5 ST	
Type	FP ENC DR07 080 XC A	Version
Order No.	<a href="#">2633730000</a>	Field Power® terminal rail, Steel, galvanized, 80 mm, for aluminium
GTIN (EAN)	4050118664379	lid
Qty.	5 ST	
Type	FP ENC DR07 110 3C A	Version
Order No.	<a href="#">2633750000</a>	Field Power® terminal rail, Steel, galvanized, 110 mm, for aluminium
GTIN (EAN)	4050118664362	lid
Qty.	5 ST	
Type	FP ENC DR07 145 3C A	Version
Order No.	<a href="#">2633760000</a>	Field Power® terminal rail, Steel, galvanized, 145 mm, for aluminium
GTIN (EAN)	4050118664355	lid
Qty.	5 ST	
Type	FP ENC DR07 170 3C A	Version
Order No.	<a href="#">2633780000</a>	Field Power® terminal rail, Steel, galvanized, 170 mm, for aluminium
GTIN (EAN)	4050118664348	lid
Qty.	5 ST	

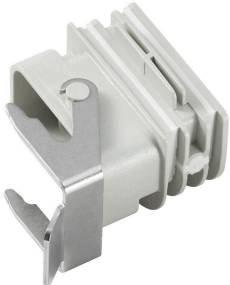
**FP PRO TOP1 24/10 3M**

**Weidmüller Interface GmbH & Co. KG**  
 Klingenbergstraße 26  
 D-32758 Detmold  
 Germany

www.weidmueller.com

**Accessories**

**Adapters**



HQ adapter for FieldPower®  
 Tool-free installation like a FieldPower cable seal  
 Suitable for the HQ 4/2, HQ 8 and HQ 17 plug-in connector inserts  
 Optionally with lockable protective cover (protection against being switched on again, in accordance with EN 60204-1)

**General ordering data**

Type	BG ARGH HQP ALU PT6	Version
Order No.	<a href="#">1532200000</a>	Adapter, Field Power® sealing insert, HQ adapter, IP65, with corresponding enclosure, Polycarbonate, glass fibre reinforced,
GTIN (EAN)	4050118337433	lockable: No
Qty.	1 ST	
Type	BG ARGH HQP ALU PT6 CS	Version
Order No.	<a href="#">1532210000</a>	Adapter, Field Power® sealing insert, HQ adapter, IP65, with corresponding enclosure, Polycarbonate, glass fibre reinforced,
GTIN (EAN)	4050118337600	lockable: Yes
Qty.	1 ST	

**DMS PRO**



Weidmüller torque screwdrivers have an ergonomic design and are therefore ideal for use with one hand. They can be used without causing fatigue in all installation positions. Apart from that, they incorporate an automatic torque limiter and have a good reproducibility accuracy.

**General ordering data**

Type	DMS PRO	Version
Order No.	<a href="#">1479120000</a>	Mounting tool
GTIN (EAN)	4050118287011	
Qty.	1 ST	

## FP PRO TOP1 24/10 3M

**Weidmüller Interface GmbH & Co. KG**  
 Klingenbergstraße 26  
 D-32758 Detmold  
 Germany

www.weidmueller.com

## Accessories

## Bits E6,3 - Torx®



The Weidmüller bits are standard bits which are highly popular with users thanks to their good quality, large range and efficiency. The computer-controlled hardening method enables Weidmüller to guarantee a consistently high standard of quality.

The high-quality raw materials used make it possible to reach torques far higher than any of those specified in the relevant DIN standards:

- DIN 5261 for PH/PZ bits,
- DIN 5263 for slotted bits,
- Camcar standard for TORX bits

That means a long life at high torques and hence ideal conditions for standard situations.

The benefits:

- Suitable for all types of screws. Because of their excellent hardness values of 59-61 HRC, they are suitable for use with both manual and power tools.
- Good wearing resistance and thus a long life expectancy.
- Optimum fit in all DIN screws means low wear and optimum torque transmission.
- Manufactured to meet professional quality criteria according to relevant ISO standards with a consistently high standard of quality.

## General ordering data

Type	BIT E6,3 T20 X 150	Version	
Order No.	<a href="#">2821510000</a>	Mounting tool	
GTIN (EAN)	4064675359050		
Qty.	5 ST		