

KTB QL 484820 EXE

Weidmüller Interface GmbH & Co. KG

Klingenbergstraße 26

D-32758 Detmold

Germany

www.weidmueller.com



Various types of terminal boxes are available for installing signal / power supplies or distributors in explosive risk zones. The terminal boxes are explosion-protected equipment approved for use in Ex areas in zones 0, 1, 2 and 20, 21, 22. They are certified in accordance with the latest international standards Ex e, Ex ia and Ex tb. Customer-specific configuration means these terminal boxes are the optimum solution for all applications. Use the product overview to find the right solution for you! Combine the enclosure, with or without threaded holes, a suitable mounting rail or pre-fitted strip terminals. We have put together a small selection for you, but we are happy to configure a bespoke solution for you.

Features:

- Available in a wide range of versions to meet customer requirements
- Additional international approvals alongside IECEx and ATEX also available
- Increased quality thanks to the use of established basic products in the Klippon® brand

General ordering data

Version	Klippon TB (Terminal Box), Terminal Box, stainless steel enclosure, Height: 480 mm, Width: 480 mm, Depth: 200 mm, Gland plates: Bottom, Basic material: Stainless steel 1.4404 (316L), electropolished, silver
Order No.	8000028401
Type	KTB QL 484820 EXE
GTIN (EAN)	4050118649154
Qty.	1 items
Delivery status	Discontinued
Available until	2024-05-17T00:00:00+02:00

KTB QL 484820 EXE

Weidmüller Interface GmbH & Co. KG
 Klingenbergstraße 26
 D-32758 Detmold
 Germany

www.weidmueller.com

Technical data

Approvals

Approvals	CE; ATEX; IECEX
-----------	-----------------

Dimensions and weights

Depth	200 mm	Depth (inches)	7.874 inch
Height	480 mm	Height (inches)	18.8976 inch
Width	480 mm	Width (inches)	18.8976 inch
Diameter	11 mm	Mounting dimension - height	327 mm
Mounting dimension - width	506 mm	Net weight	19088.4 g

Temperatures

Ambient temperature	-40 °C...40 °C	Operating temperature	
---------------------	----------------	-----------------------	--

Environmental Product Compliance

RoHS Compliance Status	Compliant with exemption
RoHS Exemption (if applicable/known)	6c
REACH SVHC	Lead 7439-92-1
SCIP	586e6b8f-a509-420d-b3e1-5602f2434c6c

Certificate numbers enclosure

Certificate no. Terminal Box (ATEX)	IBExU14ATEX1050	Certificate no. Terminal Box (IECEX)	IECEX IBE 14.0013
Identification	Ex eb IIC T6 Gb		

vertical assembly

WDU 4 / ZDU 4	1x66, 1x59, 5 x PE
---------------	--------------------

Material data

Surface finish	electropolished	Basic material	Stainless steel 1.4404 (316L)
----------------	-----------------	----------------	-------------------------------

General data

Colour	silver	Protection degree	IP66
Colour chart (similar)	RAL 7001		

Housing

Basic material	Stainless steel 1.4404 (316L)	Drill holes side C	none
Material type plate	Polyester coated with aluminium	Drill holes side D	none
Drill holes side A	none	Drill holes side B	2 x M20, 2 x M25, 1 x M40, 1 x BDX

Standard features

Version	stainless steel enclosure	Reference product	KTB QL 484820 S4E1 , WDU 4 , WPE 4 , KLIPPON BDX M20 S
---------	---------------------------	-------------------	--

KTB QL 484820 EXE

Weidmüller Interface GmbH & Co. KG
Klingenbergstraße 26
D-32758 Detmold
Germany

www.weidmueller.com

Technical data

Classifications

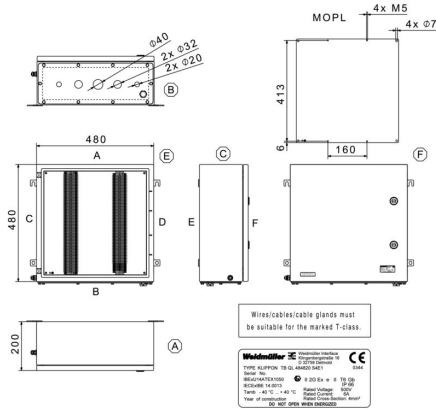
ETIM 8.0	EC002503	ETIM 9.0	EC002503
ETIM 10.0	EC002503	ECLASS 14.0	27-18-05-02
ECLASS 15.0	27-18-05-02		

KTB QL 484820 EXE

Weidmüller Interface GmbH & Co. KG
 Klingenbergstraße 26
 D-32758 Detmold
 Germany

Drawings

www.weidmueller.com



KTB QL 484820 EXE

Weidmüller Interface GmbH & Co. KG
 Klingenbergstraße 26
 D-32758 Detmold
 Germany

www.weidmueller.com

Accessories

480 x 480mm



Integrate, expand and customise: The ideal expansion for every application

The consistent structure of accessories for the new Klippon® TB enclosure range means that you can easily adapt the enclosure to the specific requirements of each application.

Mounting plates

Mounting plates, with and without hole patterns, for longitudinal and transverse mounting of DIN mounting rails or components directly onto the mounting plate.

General ordering data

Type	KTB MOPL 4848 S2N	Version
Order No.	1193870000	Klippon TB (Terminal Box), Mounting plate, Height: 425 mm, Width:
GTIN (EAN)	4050118028478	419 mm, Depth: 1.5 mm, Basic material: Stainless steel 1.4301
Qty.	1 ST	(304), untreated, silver

Gland plates without earthing studs



Integrate, expand and customise: The ideal expansion for every application

The consistent structure of accessories for the new Klippon® TB enclosure range means that you can easily adapt the enclosure to the specific requirements of each application.

Flange plates

Flange plates in two thicknesses, for easy replacement of pre-assembl

General ordering data

Type	KTB GP XX4820 AB S4 3MM	Version
Order No.	1281130000	Klippon TB (Terminal Box), flange plate, straight, Height: 470 mm,
GTIN (EAN)	4050118071573	Width: 167 mm, Depth: 3 mm, Gland plates: top, Bottom, Basic
Qty.	1 ST	material: Stainless steel 1.4404, Stainless steel 1.4404 (316L), electropolished, silver

Gland plates made out of stainless steel - 6 mm



Integrate, expand and customise: The ideal expansion for every application

The consistent structure of accessories for the new Klippon® TB enclosure range means that you can easily adapt the enclosure to the specific requirements of each application.

Flange plates

Flange plates in two thicknesses, for easy replacement of pre-assembl

KTB QL 484820 EXE

Weidmüller Interface GmbH & Co. KG
 Klingenbergstraße 26
 D-32758 Detmold
 Germany

www.weidmueller.com

Accessories

General ordering data

Type	KTB GP XX4820 AB S4 6MM	Version	
Order No.	1256550000	Klippon TB (Terminal Box), flange plate, straight, Height: 470 mm,	
GTIN (EAN)	4050118093902	Width: 167 mm, Depth: 6 mm, Gland plates: top, Bottom, Basic	
Qty.	1 ST	material: Stainless steel 1.4404, Stainless steel 1.4404 (3 16L), electropolished, silver	

Type label holder



Integrate, expand and customise: The ideal expansion for every application

The consistent structure of accessories for the new Klippon® TB enclosure range means that you can easily adapt the enclosure to the specific requirements of each application.

Nameplate holders

There are a variety of designed label holders available for prominent display as required and for additional nameplates as needed.

General ordering data

Type	TPSDHA KTB 100X25 S2 2R	Version	
Order No.	1257640000	Klippon TB (Terminal Box), Ratings plate holder, Riveted, Height: 25	
GTIN (EAN)	4050118070354	mm, Width: 141 mm, Depth: 16.5 mm, Basic material: Stainless steel	
Qty.	1 ST	1.4301, Stainless steel 1.4301 (304), Mirror polished, silver	
Type	TPSDHA KTB 130X50 S2 R	Version	
Order No.	1283450000	Klippon TB (Terminal Box), Ratings plate holder, Riveted, Height: 50	
GTIN (EAN)	4050118073621	mm, Width: 171 mm, Depth: 16.5 mm, Basic material: Stainless steel	
Qty.	1 ST	1.4301, Stainless steel 1.4301 (304), Mirror polished, silver	
Type	TPSDHA KTB 70X70M3 S2 R	Version	
Order No.	1279320000	Klippon TB (Terminal Box), Ratings plate holder, Riveted, Height: 70	
GTIN (EAN)	4050118070101	mm, Width: 70 mm, Depth: 20 mm, Basic material: Stainless steel	
Qty.	1 ST	1.4301, Stainless steel 1.4301 (304), Mirror polished, silver	

Document holders



Integrate, expand and customise - the perfect supplement to every application

The fully structured range of system accessories for the new Klippon® TB enclosure series allows you to easily adapt the enclosures to meet the specific requirements of every application.

Document holders

Document holders for the proper storage of documents in the enclosure

General ordering data

Type	DOHA KTB A6 S2 R	Version	
Order No.	1252780000	Klippon TB (Terminal Box), Document holders, Riveted, Height: 110	
GTIN (EAN)	4050118045512	mm, Width: 130 mm, Depth: 20 mm, Basic material: Stainless steel	
Qty.	1 ST	1.4301, Stainless steel 1.4301 (304), Mirror polished, silver	

KTB QL 484820 EXE

Weidmüller Interface GmbH & Co. KG
 Klingenbergstraße 26
 D-32758 Detmold
 Germany

www.weidmueller.com

Accessories

Type	DOHA KTB A5 S2 R	Version
Order No.	1252750000	Klippon TB (Terminal Box), Document holders, Riveted, Height: 150
GTIN (EAN)	4050118045390	mm, Width: 180 mm, Depth: 20 mm, Basic material: Stainless steel
Qty.	1 ST	1.4301, Stainless steel 1.4301 (304), Mirror polished, silver
Type	DOHA KTB A4 S2 R	Version
Order No.	1252730000	Klippon TB (Terminal Box), Document holders, Riveted, Height: 200
GTIN (EAN)	4050118045383	mm, Width: 240 mm, Depth: 20 mm, Basic material: Stainless steel
Qty.	1 ST	1.4301, Stainless steel 1.4301 (304), Mirror polished, silver

Earthing stud



Integrate, expand and customise: The ideal expansion for every application

The consistent structure of accessories for the new Klippon® TB enclosure range means that you can easily adapt the enclosure to the specific requirements of each application.

Earthing bolt

Earthing bolts to exchange as a complete component in two versions – brass and stainless steel.

General ordering data

Type	PEBZ M10 KTB S4 SET	Version
Order No.	1192690000	Klippon TB (Terminal Box), Earthing stud, Miscellaneous, Height: 21
GTIN (EAN)	4032248974658	mm, Width: 21 mm, Depth: 48.7 mm, Basic material: Stainless steel
Qty.	1 ST	1.4404 (316L), untreated, silver

Silicone seal material, -60°C - +70°C



Polyamide cable glands, which are suitable for usage in explosion risk zones Ex e (increased safety) and Ex i (intrinsic safety).

Weidmüller offers a product family without restrictions and besides compliance with standards, the cable gland excels thanks to its increased impact resistance of 4/7 Joule and a possible temperature range down to -60°C without restrictions. They have been tested to the current standard and EN 60079-0 directive, they are ATEX and IECEx certified.

General ordering data

Type	VG M20 EXE 11-14 SI7J G4	Version
Order No.	2722120000	VG Exe 7J (Ex plastic cable gland 7J Exe), Cable glands, straight, M
GTIN (EAN)	4050118821352	20, 10 mm, OD min. 11 - OD max. 14 mm, IP54, IP66, IP67, IP68 - 5
Qty.	50 ST	bar (30 min.), Polyamide 6
Type	VG M20 EXE 7-12 SI7J G4	Version
Order No.	2722100000	VG Exe 7J (Ex plastic cable gland 7J Exe), Cable glands, straight, M
GTIN (EAN)	4050118821338	20, 10 mm, OD min. 7 - OD max. 12 mm, IP54, IP66, IP67, IP68 - 5
Qty.	50 ST	bar (30 min.), Polyamide 6
Type	VG M20 EXE 7-13 SI7J G4	Version
Order No.	2722110000	VG Exe 7J (Ex plastic cable gland 7J Exe), Cable glands, straight, M
GTIN (EAN)	4050118821345	20, 10 mm, OD min. 7 - OD max. 13 mm, IP54, IP66, IP67, IP68 - 5
Qty.	50 ST	bar (30 min.), Polyamide 6

KTB QL 484820 EXE

Weidmüller Interface GmbH & Co. KG
 Klingenbergstraße 26
 D-32758 Detmold
 Germany

www.weidmueller.com

Accessories

Type	VG M25 EXE 12-17 SI7J G4	Version
Order No.	2722130000	VG Exe 7J (Ex plastic cable gland 7J Exe), Cable glands, straight, M
GTIN (EAN)	4050118821369	25, 10 mm, OD min. 12 - OD max. 17 mm, IP54, IP66, IP67, IP68 - 5
Qty.	50 ST	bar (30 min.), Polyamide 6
Type	VG M25 EXE 14-18 SI7J G4	Version
Order No.	2722140000	VG Exe 7J (Ex plastic cable gland 7J Exe), Cable glands, straight, M
GTIN (EAN)	4050118821376	25, 10 mm, OD min. 14 - OD max. 18 mm, IP54, IP66, IP67, IP68 - 5
Qty.	25 ST	bar (30 min.), Polyamide 6
Type	VG M40 EXE 20-28 SI7J G4	Version
Order No.	2722170000	VG Exe 7J (Ex plastic cable gland 7J Exe), Cable glands, straight, M
GTIN (EAN)	4050118821406	40, 10 mm, OD min. 20 - OD max. 28 mm, IP54, IP66, IP67, IP68 - 5
Qty.	15 ST	bar (30 min.), Polyamide 6
Type	VG M40 EXE 23-32 SI7J G4	Version
Order No.	2722180000	VG Exe 7J (Ex plastic cable gland 7J Exe), Cable glands, straight, M
GTIN (EAN)	4050118821413	40, 18 mm, OD min. 23 - OD max. 32 mm, IP54, IP66, IP67, IP68 - 5
Qty.	10 ST	bar (30 min.), Polyamide 6

Plastic blanking plugs Ex e/i 7 Joule



In addition to cable glands for a wide range of applications, the product portfolio is rounded off by plugs, pressure compensation elements, adaptors and the corresponding accessories such as locknuts, sealing rings, flat washers and earthing rings.

General ordering data

Type	VP M20 EX SI 7J	Version
Order No.	2066730000	VPK EX 7J (Ex blanking plug, plastic, 7J), Blanking plug, in closed
GTIN (EAN)	4050118415346	state, M 20, 11 mm, IP54, IP66, IP67, IP68 - 5 bar (30 min.),
Qty.	100 ST	Polyamide 6
Type	VP M25 EX SI 7J	Version
Order No.	2066740000	VPK EX 7J (Ex blanking plug, plastic, 7J), Blanking plug, in closed
GTIN (EAN)	4050118415360	state, M 25, 10 mm, IP54, IP66, IP67, IP68 - 5 bar (30 min.),
Qty.	50 ST	Polyamide 6
Type	VP M40 EX SI 7J	Version
Order No.	2066760000	VPK EX 7J (Ex blanking plug, plastic, 7J), Blanking plug, in closed
GTIN (EAN)	4050118415452	state, M 40, 18 mm, IP54, IP66, IP67, IP68 - 5 bar (30 min.),
Qty.	20 ST	Polyamide 6

KTB QL 484820 EXE

Weidmüller Interface GmbH & Co. KG
 Klingenbergstraße 26
 D-32758 Detmold
 Germany

Accessories

www.weidmueller.com

Stainless Steel blanking plugs, VP HEX head Ex e/d



VP series stopping plugs provide a method of filling unused entries in Ex equipment while maintaining Flameproof Ex d and Increased Safety Ex e explosion protection and IP66/67/68 ingress rate.

General ordering data

Type	VPS-HEX M20-EX W	Version
Order No.	1219030000	VP-HEX (Klippon Ex blanking plug with hexagon head), Blanking plug,
GTIN (EAN)	4050118233728	straight, M 20 x 1.5, 16 mm, Stainless steel 1.4404
Qty.	24 ST	
Type	VPS-HEX M25-EX W	Version
Order No.	1219040000	VP-HEX (Klippon Ex blanking plug with hexagon head), Blanking plug,
GTIN (EAN)	4050118233735	straight, M 25 x 1.5, 16 mm, Stainless steel 1.4404
Qty.	16 ST	
Type	VPS-HEX M40-EX W	Version
Order No.	1219060000	VP-HEX (Klippon Ex blanking plug with hexagon head), Blanking plug,
GTIN (EAN)	4050118237061	straight, M 40 x 1.5, 16 mm, Stainless steel 1.4404
Qty.	9 ST	

Plastic lock nuts, black



In addition to cable glands for a wide range of applications, the product portfolio is rounded off by plugs, pressure compensation elements, adaptors and the corresponding accessories such as locknuts, sealing rings, flat washers and earthing rings.

General ordering data

Type	SKMU M20 K SW	Version
Order No.	1736930000	SKMU PA (plastic locknut), Locknut, M 20, 6 mm, Polyamid 6 (PA6 -
GTIN (EAN)	4008190956400	GF30)
Qty.	100 ST	
Type	SKMU M25 K SW	Version
Order No.	1736940000	SKMU PA (plastic locknut), Locknut, M 25, 6 mm, Polyamid 6 (PA6 -
GTIN (EAN)	4008190956417	GF30)
Qty.	25 ST	
Type	SKMU M40 K SW	Version
Order No.	1736960000	SKMU PA (plastic locknut), Locknut, M 40, 7 mm, Polyamid 6 (PA6 -
GTIN (EAN)	4008190956431	GF30)
Qty.	10 ST	

Accessories

Stainless Steel lock nuts, natural finish



In addition to cable glands for a wide range of applications, the product portfolio is rounded off by plugs, pressure compensation elements, adaptors and the corresponding accessories such as locknuts, sealing rings, flat washers and earthing rings.

General ordering data

Type	SKMUS M20-W	Version
Order No.	1185690000	SKMU SS (stainless steel locknut), Locknut, M 20, 2.2 mm, Stainless
GTIN (EAN)	4050118233742	steel 1.4404
Qty.	240 ST	
Type	SKMUS M25-W	Version
Order No.	1185700000	SKMU SS (stainless steel locknut), Locknut, M 25, 2.2 mm, Stainless
GTIN (EAN)	4050118269963	steel 1.4404
Qty.	240 ST	
Type	SKMUS M40-W	Version
Order No.	1185720000	SKMU SS (stainless steel locknut), Locknut, M 40, 3.8 mm, Stainless
GTIN (EAN)	4050118233766	steel 1.4404
Qty.	144 ST	