

KTB MH 262615 EXIA

Weidmüller Interface GmbH & Co. KG
 Klingenbergstraße 26
 D-32758 Detmold
 Germany

www.weidmueller.com



Various types of terminal boxes are available for installing signal / power supplies or distributors in explosive risk zones. The terminal boxes are explosion-protected equipment approved for use in Ex areas in zones 0, 1, 2 and 20, 21, 22. They are certified in accordance with the latest international standards Ex e, Ex ia and Ex tb. Customer-specific configuration means these terminal boxes are the optimum solution for all applications. Use the product overview to find the right solution for you! Combine the enclosure, with or without threaded holes, a suitable mounting rail or pre-fitted strip terminals. We have put together a small selection for you, but we are happy to configure a bespoke solution for you.

Features:

- Available in a wide range of versions to meet customer requirements
- Additional international approvals alongside IECEx and ATEX also available
- Increased quality thanks to the use of established basic products in the Klippon® brand

General ordering data

Version	Klippon TB (Terminal Box), Terminal Box, stainless steel enclosure, Height: 260 mm, Width: 260 mm, Depth: 150 mm, Gland plates: Bottom, Basic material: Stainless steel 1.4404 (316L), electropolished, silver
Order No.	8000028399
Type	KTB MH 262615 EXIA
GTIN (EAN)	4050118846348
Qty.	1 items
Delivery status	Discontinued
Available until	2024-05-17T00:00:00+02:00

KTB MH 262615 EXIA

Weidmüller Interface GmbH & Co. KG
 Klingenbergstraße 26
 D-32758 Detmold
 Germany

www.weidmueller.com

Technical data

Approvals

Approvals	CE; ATEX; IECEX
-----------	-----------------

Dimensions and weights

Depth	150 mm	Depth (inches)	5.9055 inch
Height	260 mm	Height (inches)	10.2362 inch
Width	260 mm	Width (inches)	10.2362 inch
Diameter	11 mm	Mounting dimension - height	170 mm
Mounting dimension - width	286 mm	Net weight	5857.24 g

Temperatures

Ambient temperature	-40 °C...55 °C	Operating temperature	
---------------------	----------------	-----------------------	--

Environmental Product Compliance

RoHS Compliance Status	Compliant with exemption
RoHS Exemption (if applicable/known)	6c
REACH SVHC	Lead 7439-92-1
SCIP	64dfc213-93f0-4c79-8ffa-c97fa9dcb873

Certificate numbers enclosure

Certificate no. Terminal Box (ATEX)	IBExU14ATEX1050	Certificate no. Terminal Box (IECEX)	IECEX IBE 14.0013
Identification	Ex ia IIC T4 Ga		

vertical assembly

WDU 4 / ZDU 4	1x30
---------------	------

Material data

Surface finish	electropolished	Basic material	Stainless steel 1.4404 (316L)
----------------	-----------------	----------------	-------------------------------

General data

Colour	silver	Protection degree	IP66
Colour chart (similar)	RAL 7001		

Housing

Basic material	Stainless steel 1.4404 (316L)	Drill holes side C	none
Material type plate	Polyester coated with aluminium	Drill holes side D	none
Drill holes side A	none	Drill holes side B	5 x M20, 1 x M32, 1 x BDX

Standard features

Version	stainless steel enclosure	Reference product	KTB MH 262615 S4E1 , WDU 4 BL , KLIPPON BDX M20 S
---------	---------------------------	-------------------	--

KTB MH 262615 EXIA

Weidmüller Interface GmbH & Co. KG
Klingenbergstraße 26
D-32758 Detmold
Germany

www.weidmueller.com

Technical data

Classifications

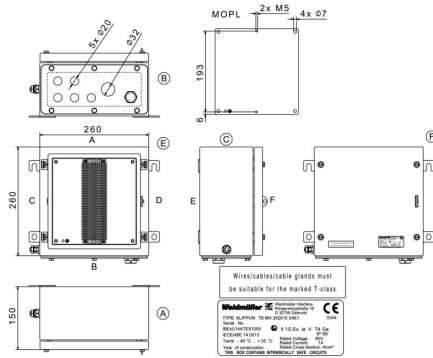
ETIM 8.0	EC002503	ETIM 9.0	EC002503
ETIM 10.0	EC002503	ECLASS 14.0	27-18-05-02
ECLASS 15.0	27-18-05-02		

KTB MH 262615 EXIA

Weidmüller Interface GmbH & Co. KG
Klingenbergstraße 26
D-32758 Detmold
Germany

Drawings

www.weidmueller.com



KTB MH 262615 EXIA

Weidmüller Interface GmbH & Co. KG
 Klingenbergstraße 26
 D-32758 Detmold
 Germany

www.weidmueller.com

Accessories

260 x 260mm



Integrate, expand and customise: The ideal expansion for every application

The consistent structure of accessories for the new Klippon® TB enclosure range means that you can easily adapt the enclosure to the specific requirements of each application.

Mounting plates

Mounting plates, with and without hole patterns, for longitudinal and transverse mounting of DIN mounting rails or components directly onto the mounting plate.

General ordering data

Type	KTB MOPL 2626 S2N	Version
Order No.	1193820000	Klippon TB (Terminal Box), Mounting plate, Height: 205 mm, Width:
GTIN (EAN)	4050118028423	199 mm, Depth: 1.5 mm, Basic material: Stainless steel 1.4301
Qty.	1 ST	(304), untreated, silver

Gland plates without earthing studs



Integrate, expand and customise: The ideal expansion for every application

The consistent structure of accessories for the new Klippon® TB enclosure range means that you can easily adapt the enclosure to the specific requirements of each application.

Flange plates

Flange plates in two thicknesses, for easy replacement of pre-assembl

General ordering data

Type	KTB GP 2626 15 AB S4	Version
Order No.	1280910000	Klippon TB (Terminal Box), flange plate, straight, Height: 254 mm,
GTIN (EAN)	4050118071511	Width: 117 mm, Depth: 3 mm, Gland plates: top, Bottom, Basic
Qty.	1 ST	material: Stainless steel 1.4404, electropolished, silver

Gland plates made out of stainless steel - 6 mm



Integrate, expand and customise: The ideal expansion for every application

The consistent structure of accessories for the new Klippon® TB enclosure range means that you can easily adapt the enclosure to the specific requirements of each application.

Flange plates

Flange plates in two thicknesses, for easy replacement of pre-assembl

General ordering data

Type	KTB GP XX2615 AB S4 6MM	Version
Order No.	1256290000	Klippon TB (Terminal Box), flange plate, straight, Height: 254 mm,
GTIN (EAN)	4050118093711	Width: 117 mm, Depth: 6 mm, Gland plates: top, Bottom, Basic
Qty.	1 ST	

KTB MH 262615 EXIA

Weidmüller Interface GmbH & Co. KG

Klingenbergstraße 26
D-32758 Detmold
Germany

www.weidmueller.com

Accessories

material: Stainless steel 1.4404, Stainless steel 1.4404 (316L),
electropolished, silver

Type label holder



Integrate, expand and customise: The ideal expansion for every application

The consistent structure of accessories for the new Klippon® TB enclosure range means that you can easily adapt the enclosure to the specific requirements of each application.

Nameplate holders

There are a variety of designed label holders available for prominent display as required and for additional nameplates as needed.

General ordering data

Type	TPSDHA KTB 100X25 S2 2R	Version
Order No.	1257640000	Klippon TB (Terminal Box), Ratings plate holder, Riveted, Height: 25
GTIN (EAN)	4050118070354	mm, Width: 141 mm, Depth: 16.5 mm, Basic material: Stainless steel
Qty.	1 ST	1.4301, Stainless steel 1.4301 (304), Mirror polished, silver
Type	TPSDHA KTB 130X50 S2 R	Version
Order No.	1283450000	Klippon TB (Terminal Box), Ratings plate holder, Riveted, Height: 50
GTIN (EAN)	4050118073621	mm, Width: 171 mm, Depth: 16.5 mm, Basic material: Stainless steel
Qty.	1 ST	1.4301, Stainless steel 1.4301 (304), Mirror polished, silver
Type	TPSDHA KTB 70X70M3 S2 R	Version
Order No.	1279320000	Klippon TB (Terminal Box), Ratings plate holder, Riveted, Height: 70
GTIN (EAN)	4050118070101	mm, Width: 70 mm, Depth: 20 mm, Basic material: Stainless steel
Qty.	1 ST	1.4301, Stainless steel 1.4301 (304), Mirror polished, silver

Earthing stud



Integrate, expand and customise: The ideal expansion for every application

The consistent structure of accessories for the new Klippon® TB enclosure range means that you can easily adapt the enclosure to the specific requirements of each application.

Earthing bolt

Earthing bolts to exchange as a complete component in two versions – brass and stainless steel.

General ordering data

Type	PEBZ M10 KTB S4 SET	Version
Order No.	1192690000	Klippon TB (Terminal Box), Earthing stud, Miscellaneous, Height: 21
GTIN (EAN)	4032248974658	mm, Width: 21 mm, Depth: 48.7 mm, Basic material: Stainless steel
Qty.	1 ST	1.4404 (316L), untreated, silver

KTB MH 262615 EXIA

Weidmüller Interface GmbH & Co. KG
 Klingenbergstraße 26
 D-32758 Detmold
 Germany

www.weidmueller.com

Accessories

Document holders



Integrate, expand and customise - the perfect supplement to every application

The fully structured range of system accessories for the new Klippon® TB enclosure series allows you to easily adapt the enclosures to meet the specific requirements of every application.

Document holders

Document holders for the proper storage of documents in the enclosure

General ordering data

Type	DOHA KTB A6 S2 R	Version	
Order No.	1252780000	Klippon TB (Terminal Box), Document holders, Riveted, Height: 110	
GTIN (EAN)	4050118045512	mm, Width: 130 mm, Depth: 20 mm, Basic material: Stainless steel	
Qty.	1 ST	1.4301, Stainless steel 1.4301 (304), Mirror polished, silver	

Silicone seal material, -60°C - +70°C



Polyamide cable glands, which are suitable for usage in explosion risk zones Ex e (increased safety) and Ex i (intrinsic safety).

Weidmüller offers a product family without restrictions and besides compliance with standards, the cable gland excels thanks to its increased impact resistance of 4/7 Joule and a possible temperature range down to -60°C without restrictions. They have been tested to the current standard and EN 60079-0 directive, they are ATEX and IECEx certified.

General ordering data

Type	VG M20 EXI 11-14 SI7J G4	Version	
Order No.	2722400000	VG Exi 7J (Ex plastic cable gland 7J Exi), Cable glands, straight, M 20,	
GTIN (EAN)	4050118821635	10 mm, OD min. 11 - OD max. 14 mm, IP54, IP66, IP67, IP68 - 5 bar	
Qty.	50 ST	(30 min.), Polyamide 6	
Type	VG M20 EXI 7-12 SI7J G4	Version	
Order No.	2722380000	VG Exi 7J (Ex plastic cable gland 7J Exi), Cable glands, straight, M 20,	
GTIN (EAN)	4050118821611	10 mm, OD min. 7 - OD max. 12 mm, IP54, IP66, IP67, IP68 - 5 bar	
Qty.	50 ST	(30 min.), Polyamide 6	
Type	VG M20 EXI 7-13 SI7J G4	Version	
Order No.	2722390000	VG Exi 7J (Ex plastic cable gland 7J Exi), Cable glands, straight, M 20,	
GTIN (EAN)	4050118821628	10 mm, OD min. 7 - OD max. 13 mm, IP54, IP66, IP67, IP68 - 5 bar	
Qty.	50 ST	(30 min.), Polyamide 6	
Type	VG M32 EXI 16-21 SI7J G4	Version	
Order No.	2722430000	VG Exi 7J (Ex plastic cable gland 7J Exi), Cable glands, straight, M 32,	
GTIN (EAN)	4050118821666	10 mm, OD min. 16 - OD max. 21 mm, IP54, IP66, IP67, IP68 - 5 bar	
Qty.	25 ST	(30 min.), Polyamide 6	
Type	VG M32 EXI 19-25 SI7J G4	Version	
Order No.	2722440000	VG Exi 7J (Ex plastic cable gland 7J Exi), Cable glands, straight, M 32,	
GTIN (EAN)	4050118821673	15 mm, OD min. 19 - OD max. 25 mm, IP54, IP66, IP67, IP68 - 5 bar	
Qty.	20 ST	(30 min.), Polyamide 6	

KTB MH 262615 EXIA

Weidmüller Interface GmbH & Co. KG
 Klingenbergstraße 26
 D-32758 Detmold
 Germany

Accessories

www.weidmueller.com

Plastic blanking plugs Ex e/i 7 Joule



In addition to cable glands for a wide range of applications, the product portfolio is rounded off by plugs, pressure compensation elements, adaptors and the corresponding accessories such as locknuts, sealing rings, flat washers and earthing rings.

General ordering data

Type	VP M20 EX SI 7J	Version
Order No.	2066730000	VPK EX 7J (Ex blanking plug, plastic, 7J), Blanking plug, in closed state, M 20, 11 mm, IP54, IP66, IP67, IP68 - 5 bar (30 min.), Polyamide 6
GTIN (EAN)	4050118415346	
Qty.	100 ST	
Type	VP M32 EX SI 7J	Version
Order No.	2066750000	VPK EX 7J (Ex blanking plug, plastic, 7J), Blanking plug, in closed state, M 32, 15 mm, IP54, IP66, IP67, IP68 - 5 bar (30 min.), Polyamide 6
GTIN (EAN)	4050118415445	
Qty.	100 ST	

Stainless Steel blanking plugs, VP HEX head Ex e/d



VP series stopping plugs provide a method of filling unused entries in Ex equipment while maintaining Flameproof Ex d and Increased Safety Ex e explosion protection and IP66/67/68 ingress rate.

General ordering data

Type	VPS-HEX M20-EX W	Version
Order No.	1219030000	VP-HEX (Klippon Ex blanking plug with hexagon head), Blanking plug, straight, M 20 x 1.5, 16 mm, Stainless steel 1.4404
GTIN (EAN)	4050118233728	
Qty.	24 ST	
Type	VPS-HEX M32-EX W	Version
Order No.	1219050000	VP-HEX (Klippon Ex blanking plug with hexagon head), Blanking plug, straight, M 32 x 1.5, 16 mm, Stainless steel 1.4404
GTIN (EAN)	4050118233711	
Qty.	12 ST	

KTB MH 262615 EXIA

Weidmüller Interface GmbH & Co. KG
 Klingenbergstraße 26
 D-32758 Detmold
 Germany

Accessories

www.weidmueller.com

Plastic lock nuts, black



In addition to cable glands for a wide range of applications, the product portfolio is rounded off by plugs, pressure compensation elements, adaptors and the corresponding accessories such as locknuts, sealing rings, flat washers and earthing rings.

General ordering data

Type	SKMU M20 K SW	Version
Order No.	1736930000	SKMU PA (plastic locknut), Locknut, M 20, 6 mm, Polyamid 6 (PA6 - GF30)
GTIN (EAN)	4008190956400	
Qty.	100 ST	
Type	SKMU M32 K SW	Version
Order No.	1736950000	SKMU PA (plastic locknut), Locknut, M 32, 7 mm, Polyamid 6 (PA6 - GF30)
GTIN (EAN)	4008190956424	
Qty.	100 ST	

Stainless Steel lock nuts, natural finish



In addition to cable glands for a wide range of applications, the product portfolio is rounded off by plugs, pressure compensation elements, adaptors and the corresponding accessories such as locknuts, sealing rings, flat washers and earthing rings.

General ordering data

Type	SKMUS M20-W	Version
Order No.	1185690000	SKMU SS (stainless steel locknut), Locknut, M 20, 2.2 mm, Stainless steel 1.4404
GTIN (EAN)	4050118233742	
Qty.	240 ST	
Type	SKMUS M32-W	Version
Order No.	1185710000	SKMU SS (stainless steel locknut), Locknut, M 32, 3.8 mm, Stainless steel 1.4404
GTIN (EAN)	4050118233759	
Qty.	144 ST	