

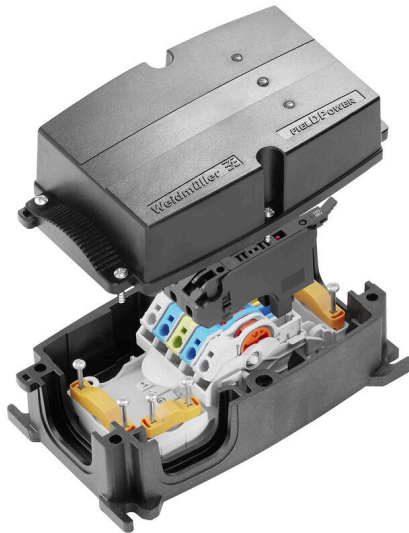
FP BOX FUSE DC**Weidmüller Interface GmbH & Co. KG**

Klingenbergstraße 26

D-32758 Detmold

Germany

www.weidmueller.com



The FieldPower® power distributors support error-free installation in an extremely short space of time. Branches and functions integrated in the cover can simply be plugged in. Robust with high protection degree.

General ordering data

Version	FieldPower® power distribution box, DC, IP65, in complete state, glass-fibre reinforced polycarbonate, Insulation displacement connection (IDC), PUSH IN, Fuse
Order No.	8000007924
Type	FP BOX FUSE DC
GTIN (EAN)	4050118195439
Qty.	1 items

FP BOX FUSE DC

Weidmüller Interface GmbH & Co. KG
 Klingenbergstraße 26
 D-32758 Detmold
 Germany

www.weidmueller.com

Technical data

Approvals

Approvals



ROHS	Conform
UL File Number Search	UL Website
Certificate No. (UL)	E310075

Dimensions and weights

Depth	86 mm	Depth (inches)	3.3858 inch
Width	104 mm	Width (inches)	4.0945 inch
Net weight	679.76 g		

Temperatures

Storage temperature	-40 °C...85 °C	Operating temperature	-40 °C...55 °C
---------------------	----------------	-----------------------	----------------

Environmental Product Compliance

RoHS Compliance Status	Compliant with exemption
RoHS Exemption (if applicable/known)	7cl
REACH SVHC	Potassium perfluorobutane sulfonate 29420-49-3
SCIP	5f19cd84-8946-4797-9386-3ac323b95c10

Clamping capacity

Connection data - contact element Branch / Feed-in	Wire connection method	PUSH IN		
	Blade size of operating tool	0.6 x 3.5 mm		
	Stripping length	14.00 mm		
	Number of poles	5		
	Conductor connection cross-section, solid, max.	6 mm ²		
	Conductor connection cross-section, solid, min.	0.50 mm ²		
	Conductor connection cross-section, stranded, max.	6.00 mm ²		
	Conductor connection cross-section, stranded, min.	0.50 mm ²		
	Conductor connection cross-section, finely stranded, max.	10.00 mm ²		
	Conductor connection cross-section, finely stranded, min.	0.50 mm ²		
	Conductor connection cross-section, finest stranded, max.	6.00 mm ²		
	Conductor connection cross-section, finest stranded, min.	0.50 mm ²		
	Conductor connection cross-section with wire end ferrule	Type of wire end ferrule	12 mm with plastic collar	
		Standard	DIN 46228/4	
		Cross-section, min.	0.5 mm ²	
		Cross-section, max.	6 mm ²	
		Type of wire end ferrule	12 mm with plastic collar	
		Standard	DIN 46228/4	
		Cross-section, min.	0.5 mm ²	
		Cross-section, max.	6 mm ²	

Technical data

		Type of wire end ferrule	8 mm with plastic collar	
		Standard	DIN 46228/4	
		Cross-section, min.	0.5 mm ²	
		Cross-section, max.	6 mm ²	
		Type of wire end ferrule	8 mm with plastic collar	
		Standard	DIN 46228/4	
		Cross-section, min.	0.5 mm ²	
		Cross-section, max.	6 mm ²	
		Type of wire end ferrule	Twin wire-end ferrules	
		Cross-section, min.	0.5 mm ²	
		Cross-section, max.	6 mm ²	
Connection data - contact element power bus	Wire connection method	Insulation displacement connection (IDC)		
	Blade size of operating tool	0.6 x 3.5 mm		
	Number of poles	5		
	Conductor connection cross-section, solid, max.	6 mm ²		
	Conductor connection cross-section, solid, min.	1.50 mm ²		
	Conductor connection cross-section, stranded, max.	6.00 mm ²		
	Conductor connection cross-section, stranded, min.	2.50 mm ²		
	Conductor connection cross-section, finely stranded, max.	6.00 mm ²		
	Conductor connection cross-section, finely stranded, min.	2.50 mm ²		
	Connection data - plug-in connector	Wire connection method	PUSH IN	
Blade size of operating tool		3.0 x 0.5 mm		
Stripping length		12.00 mm		
Number of poles		5		
Conductor connection cross-section, solid, max.		4 mm ²		
Conductor connection cross-section, solid, min.		0.50 mm ²		
Conductor connection cross-section, stranded, max.		4.00 mm ²		
Conductor connection cross-section, stranded, min.		0.50 mm ²		
Conductor connection cross-section, finely stranded, max.		4.00 mm ²		
Conductor connection cross-section, finely stranded, min.		0.50 mm ²		
Conductor connection cross-section, finest stranded, max.		4.00 mm ²		
Conductor connection cross-section, finest stranded, min.		0.50 mm ²		
Conductor connection cross-section with wire end ferrule		Type of wire end ferrule	12 mm with plastic collar	
		Standard	DIN 46228/4	
		Cross-section, min.	0.5 mm ²	
		Cross-section, max.	4 mm ²	
		Type of wire end ferrule	12 mm with plastic collar	
		Standard	DIN 46228/4	
		Cross-section, min.	0.5 mm ²	
	Cross-section, max.	4 mm ²		
	Type of wire end ferrule	8 mm with plastic collar		
	Standard	DIN 46228/4		
	Cross-section, min.	0.5 mm ²		
	Cross-section, max.	4 mm ²		

FP BOX FUSE DC

Weidmüller Interface GmbH & Co. KG

Klingenbergstraße 26
D-32758 Detmold
Germany

www.weidmueller.com

Technical data

Type of wire end ferrule	8 mm with plastic collar
Standard	DIN 46228/4
Cross-section, min.	0.5 mm ²
Cross-section, max.	4 mm ²
Type of wire end ferrule	Twin wire-end ferrules
Cross-section, min.	0.5 mm ²
Cross-section, max.	4 mm ²

General data

Basic material	Polycarbonate, GRP	Insulating material	Polycarbonate
Enclosure material	glass-fibre reinforced polycarbonate	Silicone	No
Colour	black	Protection degree	IP65, in complete state
UL 94 flammability rating	5VA	Torque for lid screws	2 Nm
Lid attachment	TX20 screws	Type of mounting	Screw mounting, Fixing lugs
Installation advice	Lid screws included	Function	Fuse
Can be coded	Yes, Coded on PE	Voltage type	DC
Number of poles	5	Number of connections / pole	1
Wire connection method	Insulation displacement connection (IDC), PUSH IN	Cartridge fuse	6.3 x 32 mm (1/4 x 1 1/4")
Conductor outlet direction	90°	Failure indicator	Red LED
Fuse holder (cartridge holder)	Pivoting		

Rated data acc. to IEC

Rated data acc. to IEC for contact element	Voltage type	DC
	Standard	IEC 60947-7-1, IEC 60947-7-2
	Rated voltage	800 V
	Rated impulse withstand voltage	8.00 kV
	Rated current (3 loaded poles)	41 A
Rated data acc. to IEC for fuse plug	Rated current (4 loaded poles)	25 A
	Voltage type	DC
	Standard	IEC 61984, IEC 60947-7-3
	Rated voltage	36 V
	Rated impulse withstand voltage	6.00 kV
	Rated current	12 A

Rated data acc. to UL

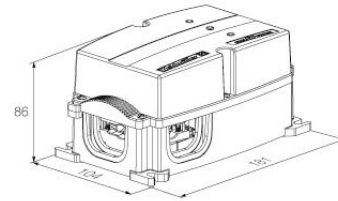
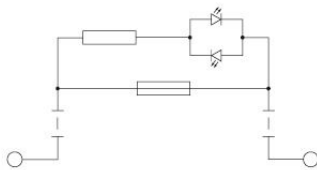
Standards	not UL approved	
Rated data acc. to UL for contact element	Standard	UL 1059
	Note	for use with UL-listed TC-ER cables
	Conductor connection cross-section, AWG, max.	AWG 10
	Conductor connection cross-section, AWG, min.	AWG 14
	Rated voltage	600 V
	Rated current	30 A
Rated data acc. to UL for fuse plug		

Classifications

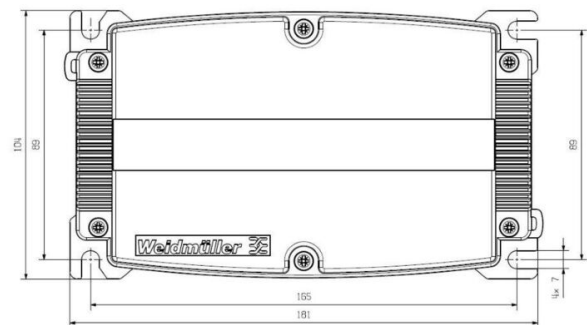
ETIM 8.0	EC000214	ETIM 9.0	EC000214
ETIM 10.0	EC000214	ECLASS 14.0	27-14-24-09
ECLASS 15.0	27-14-24-09		

Drawings

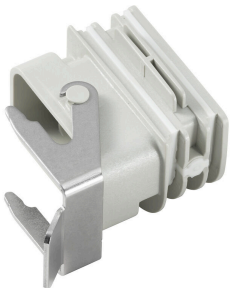
Drilling template



Drilling template



Adapters



HQ adapter for FieldPower®
 Tool-free installation like a FieldPower cable seal
 Suitable for the HQ 4/2, HQ 8 and HQ 17 plug-in connector inserts
 Optionally with lockable protective cover (protection against being switched on again, in accordance with EN 60204-1)

General ordering data

Type	BG ARGH HQP ALU PT6	Version
Order No.	1532200000	Adapter, Field Power® sealing insert, HQ adapter, IP65, with corresponding enclosure, Polycarbonate, glass fibre reinforced,
GTIN (EAN)	4050118337433	lockable: No
Qty.	1 ST	
Type	BG ARGH HQP ALU PT6 CS	Version
Order No.	1532210000	Adapter, Field Power® sealing insert, HQ adapter, IP65, with corresponding enclosure, Polycarbonate, glass fibre reinforced,
GTIN (EAN)	4050118337600	lockable: Yes
Qty.	1 ST	

Fuse



As accessories for our wide product portfolio of fuse terminal blocks, we also offer the appropriate fuse links. The portfolio includes device protection fuses (miniature fuses) from 5x20 mm up to 10x38 mm, E 14 to E 18 fuse links, as well as automotive fuses and automatic circuit breakers. Gauge rings for the fuse holders round off the overall portfolio.

General ordering data

Type	GZ 12.5A/F	Version
Order No.	1460650000	Miniature fuse, quick-acting, 12.5 A, G-Si. 6.3 x 32
GTIN (EAN)	4050118266627	
Qty.	10 ST	
Type	GZ 10.0A/F	Version
Order No.	1460640000	Miniature fuse, quick-acting, 10 A, G-Si. 6.3 x 32
GTIN (EAN)	4050118266801	
Qty.	10 ST	
Type	GZ 7.0A/F	Version
Order No.	1460630000	Miniature fuse, quick-acting, 7 A, G-Si. 6.3 x 32
GTIN (EAN)	4050118266726	
Qty.	10 ST	
Type	GZ 5.0A/F	Version
Order No.	1460620000	Miniature fuse, quick-acting, 5 A, G-Si. 6.3 x 32
GTIN (EAN)	4050118266610	
Qty.	10 ST	

FP BOX FUSE DC

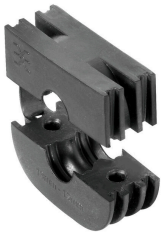
Weidmüller Interface GmbH & Co. KG
 Klingenbergstraße 26
 D-32758 Detmold
 Germany

www.weidmueller.com

Accessories

Type	GZ 3.0A/F	Version
Order No.	1460610000	Miniature fuse, quick-acting, 3 A, G-Si. 6.3 x 32
GTIN (EAN)	4050118266702	
Qty.	10 ST	
Type	GZ 2.0A/F	Version
Order No.	1460600000	Miniature fuse, quick-acting, 2 A, G-Si. 6.3 x 32
GTIN (EAN)	4050118266719	
Qty.	10 ST	
Type	GZ 1.0A/F	Version
Order No.	1460590000	Miniature fuse, quick-acting, 1 A, G-Si. 6.3 x 32
GTIN (EAN)	4050118266634	
Qty.	10 ST	
Type	GZ 0.5A/F	Version
Order No.	1460580000	Miniature fuse, quick-acting, 0.5 A, G-Si. 6.3 x 32
GTIN (EAN)	4050118266603	
Qty.	10 ST	

Seals



Intelligent cabling solutions can save you valuable time and money.

The FieldPower® modular system contains the right solution for every cabling task.

Foldable seals for the use of pre-assembled cables

Seals available with M16 and M20 connection thread
 Integration of operating and signalling devices into the seal possible

General ordering data

Type	RKDG D9 PT6	Version
Order No.	4329610000	Field Power® sealing insert, Foldable seal, IP65 with corresponding housing, IP65, with corresponding enclosure, EPDM
GTIN (EAN)	4032248668687	
Qty.	10 ST	
Type	RKDG D11 PT6	Version
Order No.	4323210000	Field Power® sealing insert, Foldable seal, IP65 with corresponding housing, IP65, with corresponding enclosure, EPDM
GTIN (EAN)	4032248641215	
Qty.	10 ST	
Type	RKDG D13 PT6	Version
Order No.	4323230000	Field Power® sealing insert, Foldable seal, IP65 with corresponding housing, IP65, with corresponding enclosure, EPDM
GTIN (EAN)	4032248641239	
Qty.	10 ST	
Type	RKDG D15 PT6	Version
Order No.	4323220000	Field Power® sealing insert, Foldable seal, IP65 with corresponding housing, IP65, with corresponding enclosure, EPDM
GTIN (EAN)	4032248641222	
Qty.	10 ST	
Type	RKDG D17 PT6	Version
Order No.	4324010000	Field Power® sealing insert, Foldable seal, IP65 with corresponding housing, IP65, with corresponding enclosure, EPDM
GTIN (EAN)	4032248641284	
Qty.	10 ST	

FP BOX FUSE DC

Weidmüller Interface GmbH & Co. KG
 Klingenbergstraße 26
 D-32758 Detmold
 Germany

www.weidmueller.com

Accessories

Type	RKDG 2XD8.5 WG PT6	Version
Order No.	1114530000	Field Power® sealing insert, Seal, IP54, with corresponding enclosure, EPDM
GTIN (EAN)	4032248892624	
Qty.	10 ST	
Type	DG D0 PT6	Version
Order No.	4323240000	Field Power® sealing insert, Blank seal, IP65, with corresponding enclosure, EPDM
GTIN (EAN)	4032248641246	
Qty.	10 ST	
Type	DG M20 PT6	Version
Order No.	2545550000	Field Power® sealing insert, Seal with connection thread, IP65, with corresponding enclosure, EPDM
GTIN (EAN)	4050118555530	
Qty.	1 ST	
Type	DG M16 PT6	Version
Order No.	2545540000	Field Power® sealing insert, Seal with connection thread, IP65, with corresponding enclosure, EPDM
GTIN (EAN)	4050118555523	
Qty.	1 ST	

IP68 version



In addition to the extensive range of enclosures, Weidmüller offers a variety of cable glands for a wide range of applications. The cable glands made of brass, plastic and stainless steel meet the most various IP protection classes to suit any industrial enclosure. Depending on the series of cable glands and the application, the cable glands are approved and tested according to VDE, UL, UR, cULus, DNV GL or EN 45545.

General ordering data

Type	VG M20-1/K68	Version
Order No.	1772300000	VG K (standard plastic cable gland), Cable glands, straight, M 20, 10 mm, OD min. 6 - OD max. 12 mm, IP54, IP66, IP67, IP68 - 5 bar (30 min.), Polyamide 6
GTIN (EAN)	4032248129966	
Qty.	50 ST	

Plastic lock nuts, grey



In addition to cable glands for a wide range of applications, the product portfolio is rounded off by plugs, pressure compensation elements, adaptors and the corresponding accessories such as locknuts, sealing rings, flat washers and earthing rings.

General ordering data

Type	SKMU M20 - K GR	Version
Order No.	1772460000	SKMU PA (plastic locknut), Locknut, M 20, 6 mm, Polyamid 6 (PA6 - GF30)
GTIN (EAN)	4032248130207	
Qty.	100 ST	

Accessories

Tools



Sheathing stripper for PVC cables

General ordering data

Type	AM 16	Version
Order No.	9204190000	Tools, Sheathing strippers
GTIN (EAN)	4032248608133	
Qty.	1 ST	

Type	AM 25	Version
Order No.	9001540000	Tools, Sheathing strippers
GTIN (EAN)	4008190138271	
Qty.	1 ST	

Slotted screwdriver



Slotted screwdriver with rounded blade SD DIN 5265, ISO 2380/2, output to DIN 5264, ISO 2380/1. ChromTop tip, SoftFinish grip

General ordering data

Type	SDS 0.6X3.5X100	Version
Order No.	2749340000	Screwdriver, Blade width (B): 3.5 mm, Blade length: 100 mm, Blade thickness (A): 0.6 mm
GTIN (EAN)	4050118895568	
Qty.	1 ST	

Type	SDS 0.5X3.0X80	Version
Order No.	2749330000	Screwdriver, Blade width (B): 3 mm, Blade length: 80 mm, Blade thickness (A): 0.5 mm
GTIN (EAN)	4050118895551	
Qty.	1 ST	

FP BOX FUSE DC

Weidmüller Interface GmbH & Co. KG
 Klingenbergstraße 26
 D-32758 Detmold
 Germany

www.weidmueller.com

Accessories

IP68 version



In addition to the extensive range of enclosures, Weidmüller offers a variety of cable glands for a wide range of applications. The cable glands made of brass, plastic and stainless steel meet the most various IP protection classes to suit any industrial enclosure. Depending on the series of cable glands and the application, the cable glands are approved and tested according to VDE, UL, UR, cULus, DNV GL or EN 45545.

General ordering data

Type	VG M20 - K 68	Version
Order No.	2811470000	VG K (standard plastic cable gland), Cable glands, straight, M 20, 10
GTIN (EAN)	4064675292227	mm, OD min. 10 - OD max. 14 mm, IP54, IP66, IP67, IP68 - 5 bar (30
Qty.	50 ST	min.), Polyamide 6

DMS PRO



Weidmüller torque screwdrivers have an ergonomic design and are therefore ideal for use with one hand. They can be used without causing fatigue in all installation positions. Apart from that, they incorporate an automatic torque limiter and have a good reproducibility accuracy.

General ordering data

Type	DMS PRO	Version
Order No.	1479120000	Mounting tool
GTIN (EAN)	4050118287011	
Qty.	1 ST	

Bits E6,3 - Torx®



The Weidmüller bits are standard bits which are highly popular with users thanks to their good quality, large range and efficiency. The computer-controlled hardening method enables Weidmüller to guarantee a consistently high standard of quality.

The high-quality raw materials used make it possible to reach torques far higher than any of those specified in the relevant DIN standards:

- DIN 5261 for PH/PZ bits,
- DIN 5263 for slotted bits,
- Camcar standard for TORX bits

That means a long life at high torques and hence ideal conditions for standard situations.

The benefits:

- Suitable for all types of screws. Because of their excellent hardness values of 59-61 HRC, they are suitable for use with both manual and power tools.
- Good wearing resistance and thus a long life expectancy.
- Optimum fit in all DIN screws means low wear and optimum torque transmission.
- Manufactured to meet professional quality criteria according to relevant ISO standards with a consistently high standard of quality.

General ordering data

Type	BIT E6,3 T20 X 70	Version	
Order No.	2749010000	Screwdriver insert	
GTIN (EAN)	4050118895308		
Qty.	5 ST		