

RCLKIT 24VDC 1CO LED GN

Weidmüller Interface GmbH & Co. KG
 Klingenbergstraße 26
 D-32758 Detmold
 Germany

www.weidmueller.com

Product image



Similar to illustration

General ordering data

Version	RIDERSERIES RCL, Relay module, Number of contacts: 1, CO contact AgNi, Rated control voltage: 24 V DC, Continuous current: 12 A, Screw connection, Test button available: No
Order No.	7940006158
Type	RCLKIT 24VDC 1CO LED GN
GTIN (EAN)	4032248475001
Qty.	10 items
Delivery status	This article will no longer be available in the future.
Available until	2025-09-30T00:00:00+02:00
Alternative product	CRIKIT S 24VDC 1CO L/D

RCLKIT 24VDC 1CO LED GN

Weidmüller Interface GmbH & Co. KG
 Klingenbergstraße 26
 D-32758 Detmold
 Germany

www.weidmueller.com

Technical data

Approvals

Approvals



ROHS Conform

Dimensions and weights

Depth	66 mm	Depth (inches)	2.5984 inch
Height	78 mm	Height (inches)	3.0709 inch
Width	16 mm	Width (inches)	0.6299 inch
Net weight	61.5 g		

Temperatures

Storage temperature	-40 °C...70 °C	Ambient temperature	-40 °C...70 °C
Operating temperature		Humidity	40 °C / 93 % rel. humidity, no condensation

Environmental Product Compliance

RoHS Compliance Status	Compliant with exemption
RoHS Exemption (if applicable/known)	7a, 7cl
REACH SVHC	Lead 7439-92-1, 4,4'-isopropylidenediphenol 80-05-7
SCIP	d4546fc1-6731-43f6-9c40-ce6f3265588a

Control side

Rated control voltage	24 V DC	Rated current DC	16.7 mA
Power rating	500 mW	Coil resistance	1440 Ω ± 10 %
Status indicator	Green LED	Protective circuit	Free-wheeling diode

Load side

Rated switching voltage	250 V AC	Continuous current	16 A
Inrush current	30 A / 4 s	AC switching capacity (resistive), max.	4000 VA
DC switching capacity (resistive), max.	384 W @ 24 V	Switch-on delay	≤ 7 ms
Switch-off delay	≤ 4 ms	Contact type	1 CO contact (AgNi)
Mechanical service life	DC coil 30 x 106 switching cycles	Min. switching power	1 mA @ 24 V, 10 mA @ 12 V, 100 mA @ 5 V

General data

Mounting rail	TS 35	Test button available	No
Mechanical switch position indicator	No	Colour	black
UL 94 flammability rating	V-2		

Insulation coordination

Rated voltage	250 V	Pollution severity	2
Surge voltage category	III	Insulating material group	C
Creepage and clearance distance input - ≥ 10 mm output		Dielectric strength, Input/Output	5 kVeff / 1min
Protection degree	IP20		

RCLKIT 24VDC 1CO LED GN

Weidmüller Interface GmbH & Co. KG
 Klingenbergstraße 26
 D-32758 Detmold
 Germany

www.weidmueller.com

Technical data

Further details of approvals / standards

Relevant relay	RCL314024	Relevant base	SRC 2CO
Certificate no. (CSA) relay	249409-2426937	Certificate no. (cURus) relay	E522350
Certificate no. (cURus) base	E223759		

Connection data

Wire connection method	Screw connection	Clamping range, rated connection	2.5 mm ²
Clamping range, min.	0.5 mm ²	Clamping range, max.	2.5 mm ²
Blade size	size PH0		

Classifications

ETIM 8.0	EC001437	ETIM 9.0	EC001437
ETIM 10.0	EC001437	ECLASS 14.0	27-37-16-01
ECLASS 15.0	27-37-16-01		

RCLKIT 24VDC 1CO LED GN

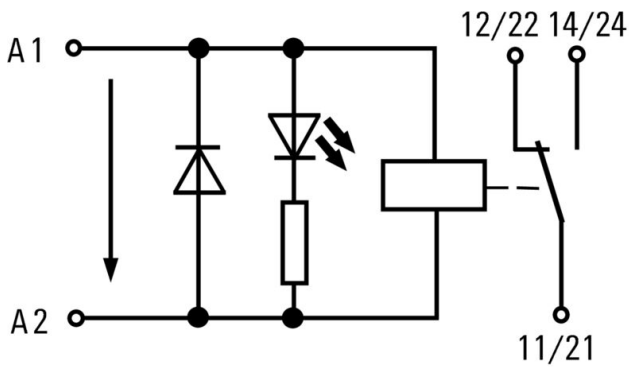
Weidmüller Interface GmbH & Co. KG
 Klingenbergstraße 26
 D-32758 Detmold
 Germany

www.weidmueller.com

Drawings

Wiring diagram

DC-Version

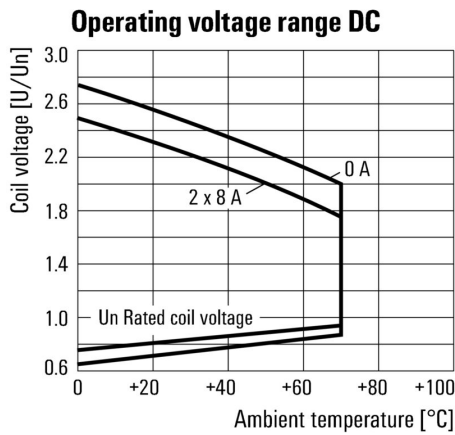


Graph



DC load limit curve Resistive load

Graph



DC operational voltage range