

DRG270024LT

Weidmüller Interface GmbH & Co. KG
 Klingenbergstraße 26
 D-32758 Detmold
 Germany

www.weidmueller.com

Product image



Relay from the D-SERIES DRG.

- 2 or 4 CO contacts
- Compact design
- Wide range of coil voltages
- Optional test button (AC red, DC blue)
- Integrated with integrated status display (AC red, DC green) and/or free-wheel diode

General ordering data

Version	D-SERIES DRG, Relay, Rated control voltage: 24 V DC, Continuous current: 12 A, Plug-in connection
Order No.	7760056506
Type	DRG270024LT
GTIN (EAN)	6944 1698 10183
Qty.	20 items
Local product	Only available in certain countries

Technical data

Approvals

Approvals



ROHS	Conform
UL File Number Search	UL Website
Certificate No. (cURus)	E312083

General ordering data

Local product	Only available in certain countries
---------------	-------------------------------------

Dimensions and weights

Depth	35.4 mm	Depth (inches)	1.3937 inch
Height	27.2 mm	Height (inches)	1.0709 inch
Width	21 mm	Width (inches)	0.8268 inch
Net weight	50 g		

Temperatures

Storage temperature	-40 °C...85 °C	Operating temperature	-40 °C...55 °C
Humidity	5...85 % rel. humidity, no condensation		

Environmental Product Compliance

RoHS Compliance Status	Compliant without exemption
REACH SVHC	No SVHC above 0.1 wt%

Rated data UL

Certificate No. (cURus)	E312083
-------------------------	---------

Control side

Rated control voltage	24 V DC	Rated current DC	36.9 mA
Power rating	0.9 W	Coil resistance	640 Ω ± 10 %
Status indicator	Green LED		

Load side

Rated switching voltage	250 V AC / 30 V DC	Continuous current	12 A
Max. switching voltage, AC	250 V	Max. switching voltage, DC	30 V
AC switching capacity (resistive), max.	3000VA	DC switching capacity (resistive), max.	360W @ 30V
Switch-on delay	<20 ms	Switch-off delay	<20 ms
Contact type	2 CO contact with test button (AgNi 90/10)	Min. switching power	10 mA @ 17 V DC

General data

Test button available	Yes	Version of test button	lockable
Mechanical switch position indicator	Yes	Colour	Transparent
UL 94 flammability rating	V-0		

Technical data

Insulation coordination

Rated voltage	250 V	Pollution severity	2
Surge voltage category	III	Dielectric strength for control side - load side	2 kVeff / 1 min
Dielectric strength of neighbouring contacts	2.5 kVeff / 1 Min.	Dielectric strength of open contact	1 kVeff / 1 min
Protection degree	IP20		

Further details of approvals / standards

Certificate No. (cURus)	E312083
-------------------------	---------

Connection data

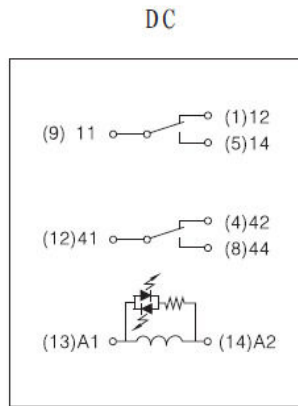
Wire connection method	Plug-in connection
------------------------	--------------------

Classifications

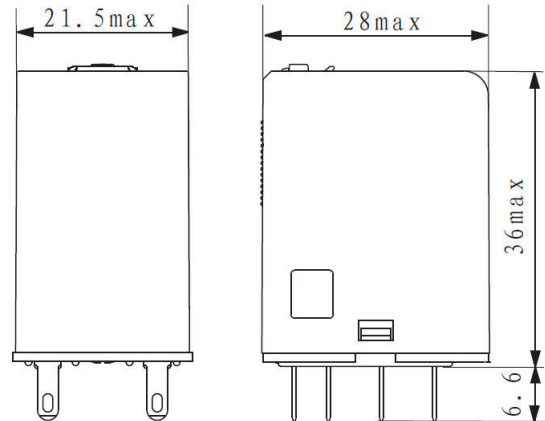
ETIM 8.0	EC001437	ETIM 9.0	EC001437
ETIM 10.0	EC001437	ECLASS 14.0	27-37-16-01
ECLASS 15.0	27-37-16-01		

Drawings

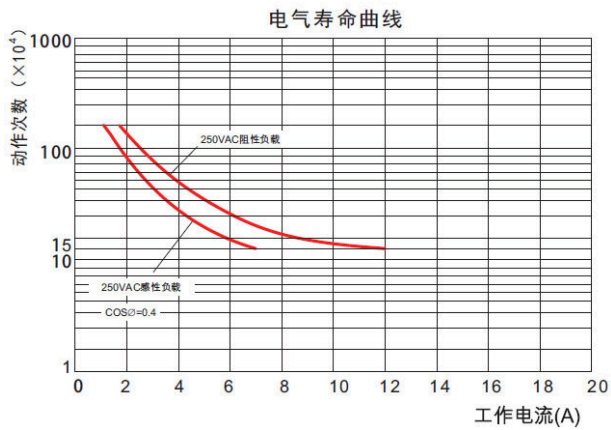
Wiring diagram



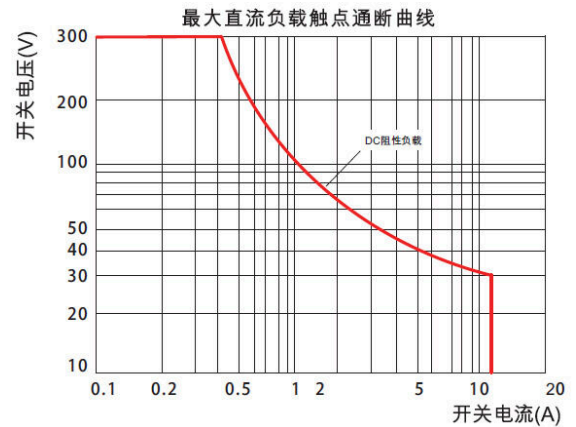
Dimensional drawing



Electrical service life



DC load limit curve



Type codes

型号说明

DRG

型号 DRG

触点类型

270 2组转换触点
 570 4组转换触点

线圈代码

012 12VDC / 024 24VDC / 048 48VDC /
 110 110VDC / 220 220VDC /
 524 24VAC / 548 48VAC / 615 115VAC /
 730 230VAC

带LED指示灯

L (交流线圈用红色, 直流线圈用绿色)

带测试按钮

T

带续流二极管

D

普通触点

/

镀金触点

Au